



TRADING CORPORATION OF PAKISTAN (PVT) LIMITED
MINISTRY OF COMMERCE
GOVERNMENT OF PAKISTAN

TCP/REBD/Ren-Gwadar Office/101/2023

Date: 21-03-2024

Notice Inviting Tender

**RENOVATION OF TCP'S OFFICE SITUATED AT ZIRBAAR COMMERCIAL
COMPLEX, GWADAR PORT AUTHORITY, GWADAR**

Trading Corporation of Pakistan (Pvt.) Ltd. (TCP), Karachi, a state-owned commercial organization working under the administrative control of Ministry of Commerce, invites "Single-Stage One Envelope" sealed bids through E-Pak Acquisition & Disposal System (EPADS) <https://eprocure.gov.pk> on percentage/ item rate basis from the contractors / firms registered with Income Tax (who are active on Taxpayers list & non-defaulter of Federal Board of Revenue & Baluchistan Revenue Authority) for the work of "RENOVATION OF TCP'S OFFICE SITUATED AT ZIRBAAR COMMERCIAL COMPLEX, GPA, GWADAR". Contractors /Firms not black listed, having valid / active license of Pakistan Engineering Council (PEC) and valid electric license in the appropriate category may apply as per the given below details of work and PEC requirements:

S.NO.	NAME OF WORK	PEC Category	PEC Codes
1.	Renovation of TCP's Office (having approx covered area of 2,990 SQ.FT) Situated At Zirbaar Commercial Complex, GPA, Gwadar	C-6 or above.	CE-10, C-6 (11), C-6(1) EE-11.

- A complete set of Bidding Documents containing required terms and conditions can be downloaded from <https://eprocure.gov.pk>, TCP website www.tcp.gov.pk and PPRA website www.ppra.org.pk free of cost.
- The Bid Security to be attached with the Bid is 2% in the form of Bank Draft / Pay order (refundable) drawn in favor of "Trading Corporation of Pakistan (Pvt) Limited; scanned copy of which is required to be uploaded through EPADS and hard copy in sealed envelope having proper marking of the Company must be submitted physically before the closing date and time of the tender to Trading Corporation of Pakistan head office on the address given below.
- The bids shall be prepared in accordance with instructions in the tender / bidding document. Complete Tendering process shall be carried out through EPADS. Interested Contractors / Firms should register themselves on the EPADS before the closing date at <https://eprocure.gov.pk/#/supplier/registration> and submit their Bids addressed to General Manager (REBD), FIC Building, Block-B, 4TH & 5TH Floor, TCP, Karachi. For registration and guidance / training on EPADS, Contractors / Firms may contact EPADS UAN: 051-1 1-137-237 or PPRA at www.ppra.org.pk.
- Closing date for submission of bid is **Monday, April 08, 2024 by 1100 hours**. The bids shall be opened on the **same day at 1130 hours** in the presence of the Contractors/firms who wish to be present, in Board Room of TCP, FIC Building, Block-B, 4TH Floor, Shahrah-e-faisal, Karachi.
- As per PPRA Rule 33, TCP may reject all bids or proposals at any time prior to the acceptance of a bid or proposal in accordance with Public Procurement Rules, 2004.
- Any instrument/document/information found to be fake or got dishonored at any stage would result in blacklisting and legal action as per law.


(RADAIN SHAH)

GENERAL MANAGER (REBD)
Ph: 021-9202563



TRADING CORPORATION OF PAKISTAN



Renovation of TCP's Office Situated At Gwadar Port Authority, Gwadar

TENDER DOCUMENTS CONDITIONS OF CONTRACT

March, 2024

TABLE OF CONTENTS

Description	Page No.
INVITATION FOR BIDS	5
Advertisement	6
INSTRUCTIONS TO BIDDERS	7
A. General	8
IB.1 Scope of Bid	8
IB.2 Source of Funds	8
IB.3 Eligible Bidders	8
IB.4 One Bid Per Bidder	8
IB.5 Cost of Bidding	8
IB.6 Site Visit	9
B. Bidding Documents	9
IB.7 Contents of Bidding Documents	9
IB.8 Clarification of Bidding Documents	9
IB.9 Amendment of Bidding Documents	10
C. Preparation of Bids	10
IB.10. Language of Bid	10
IB.11 Documents Accompanying the Bid	10
IB.12 Bid Prices	12
IB.13 Currencies of Bid and Payment	12
IB.14 Bid Validity	13
IB.15 Bid Security	13
IB.16 Alternate Proposals by Bidder	14
IB.17 Pre-Bid Meeting	14
IB.18 Format and Signing of Bid	15
D. Submission of Bids	15
IB.19 Sealing and Marking of Bids	15
IB.20 Deadline for Submission of Bids	16
IB.21 Late Bids	17
IB.22 Modification, Substitution and Withdrawal of Bids	17

E.	Bid Opening and Evaluation	17
	IB.23 Bid Opening	17
	IB.24 Process to be Confidential	18
	IB.25 Clarification of Bids	18
	IB.26 Examination of Bids and Determination of Responsiveness	18
	IB.27 Correction of Errors	19
	IB.28 Evaluation and Comparison of Bids	19
F.	Award of Contract	20
	IB.29 Award	20
	IB.30 Employer's Right to Accept any Bid and to Reject any or all Bids	20
	IB.31 Notification of Award	21
	IB.32 Performance Security	21
	IB.33 Signing of Contract Agreement	21
	IB.34 General Performance of the Bidders	22
	IB.35 Integrity Pact	22
	IB.36 Instructions Not Part of Contract	22
	BIDDING DATA	23
	FORM OF BID AND APPENDICES TO BID	30
	FORM OF BID	31
	Appendix-A to Bid : Special Stipulations	33
	Appendix-B to Bid : Foreign Currency Requirements	34
	Appendix-C to Bid : Price Adjustment (Under Clause 70)	35
	Appendix-D to Bid : Bill of Quantities	36
	Appendix-E to Bid : Proposed Construction Schedule	37
	Appendix-F to Bid : Method of Performing the Work	38
	Appendix-G to Bid : List of Major Equipment – Related Items	39
	Appendix-H to Bid : Construction Camp and Housing Facilities	40
	Appendix-I to Bid : List of Subcontractors	41
	Appendix-J to Bid : Estimated Progress Payments	42
	Appendix-K to Bid : Organization Chart of the Supervisory Staff and Labour	43
	Appendix-L to Bid : Integrity Pact	44
	FORMS	45
	PERFORMANCE SECURITY	46
	CONTRACT AGREEMENT	48
	MOBILIZATION ADVANCE GUARANTEE	50

PART-I: GENERAL CONDITIONS OF CONTRACT	52
PART-II: PARTICULAR CONDITIONS OF CONTRACT	128
BILL OF QUANTITIES	
SPECIFICATIONS	
DRAWINGS	

These Tender/Bid Documents are issued to M/s

_____ for bidding purpose for the

REPAIR/ RENOVATION WORKS as per Instructions to bidders,
Conditions of Contract, Technical Specifications, Bill of Quantities,
Drawings and Special Stipulations.

Dated:-

**INVITATION
FOR
BIDS**

**INSTRUCTIONS
TO
BIDDERS**

INSTRUCTIONS TO BIDDERS

(Note: These Instructions to Bidders along with Bidding Data will not be part of the Contract and will cease to have effect once the contract is signed.)

A. GENERAL**IB.1 Scope of Bid**

- 1.1 The Employer as defined in the Bidding Data hereinafter called “the Employer” wishes to receive bids for the construction and completion of works as described in these Bidding Documents and summarized in the Bidding Data hereinafter referred to as the “Works”.
- 1.2 The successful bidder will be expected to complete the Works within the time specified in Appendix-A to Bid.

IB.2 Source of Funds

- 2.1 TCP Funded Project.

IB.3 Eligible Bidders

- 3.1 This Invitation for Bids is open to all bidders meeting the following mandatory requirements:
 - Contractors / Firms registered with Income Tax (who are Active on Taxpayers List & non-defaulter of Federal Board of Revenue & Balochistan Revenue Authority).
 - Contractors/Firms have No litigation history.
 - Contractor/Firms No blacklisted.
 - Valid/active registration certificate of Pakistan Engineering Council (PEC) in the category C-6 or above and at least specialization in PEC codes CE-10, C-6 (11), C-6 (11) EE-11 & is mandatory.
 - Having Valid/active Electric License is mandatory.

IB.4 One Bid per Bidder

- 4.1 Each bidder shall submit only one bid either by himself, or as a partner in a joint venture. A bidder who submits or participates in more than one bid (other than alternatives pursuant to Clause IB.16) will be disqualified.

IB.5 Cost of Bidding

- 5.1 The bidders shall bear all costs associated with the preparation and submission of their respective bids and the Employer will in no case be responsible or liable for those costs, regardless of the conduct or outcome of the bidding process.

IB.6 Site Visit

- 6.1 The bidders are advised to visit and examine the Site of Works and its surroundings and obtain for themselves on their own responsibility all information that may be necessary for preparing the bid and entering into a contract for construction of the Works. All cost in this respect shall be at the bidder's own expense.
- 6.2 The bidders and any of their personnel or agents will be granted permission by the Employer to enter upon his premises and lands for the purpose of such inspection, but only upon the express condition that the bidders, their personnel and agents, will release and indemnify the Employer, his personnel and agents from and against all liability in respect thereof and will be responsible for death or personal injury, loss of or damage to property and any other loss, damage, costs and expenses incurred as a result of such inspection.

B. BIDDING DOCUMENTS**IB.7 Contents of Bidding Documents**

- 7.1 The Bidding Documents, in addition to invitation for bids, are those stated below and should be read in conjunction with any Addenda issued in accordance with Clause IB.9.
1. Instructions to Bidders.
 2. Bidding Data.
 3. General Conditions of Contract, Part-I (GCC).
 4. Particular Conditions of Contract, Part-II (PCC).
 5. Form of Bid & Appendices to Bid.
 6. Bill of Quantities (Appendix-D to Bid).
 7. Form of Bid Security.
 8. Form of Contract Agreement.
 9. Forms of Performance Security and Mobilization Advance Guarantee/Bond.
 10. Drawings.
- 7.2 The bidders are expected to examine carefully the contents of all the above documents. Failure to comply with the requirements of bid submission will be at the Bidder's own risk. Pursuant to Clause IB.26, bids which are not substantially responsive to the requirements of the Bidding Documents will be rejected.

IB.8 Clarification of Bidding Documents

- 8.1 Any prospective bidder requiring any clarification (s) in respect of the Bidding Documents may notify the Employer in writing at the Employer's address indicated in the Invitation for Bids. The Employer will respond to any request for clarification which he receives earlier than 07 days prior to the deadline for submission of bids.

Copies of the Employer's response will be forwarded to all purchasers of the Bidding Documents, including a description of the enquiry but without identifying its source.

IB.9 Amendment of Bidding Documents

- 1.1 At any time prior to the deadline for submission of bids, the Employer may, for any reason, whether at his own initiative or in response to a clarification requested by a prospective bidder, modify the Bidding Documents by issuing addendum.
- 1.2 Any addendum thus issued shall be part of the Bidding Documents pursuant to Sub-Clause 7.1 hereof and shall be communicated in writing to all purchasers of the Bidding Documents. Prospective bidders shall acknowledge receipt of each addendum in writing to the Employer.
- 1.3 To afford prospective bidders reasonable time in which to take an addendum into account in preparing their bids, the Employer may extend the deadline for submission of bids in accordance with Clause IB.20

C. PREPARATION OF BIDS

IB.10 Language of Bid

- 10.1 The bid and all correspondence and documents related to the bid exchanged by a bidder and the Employer shall be in the bid language stipulated in the Bidding Data and Particular Conditions of Contract. Supporting documents and printed literature furnished by the bidders may be in any other language provided the same are accompanied by an accurate translation of the relevant parts in the bid language, in which case, for purposes of evaluation of the bid, the translation in bid language shall prevail.

IB.11 Documents Accompanying the Bid

- 11.1 Each bidder shall:
 - (a) Submit a written power of attorney authorizing the signatory of the bid to act for and on behalf of the bidder.
 - (b) Update the information indicated and listed in the Bidding Data and to meet the minimum criteria set out in this bidding documents, which as a minimum, would include the following:
 - (i) Evidence of access to financial resources along with average annual construction turnover.

- (ii) Financial predictions for the current year and the two following years including the effect of known commitments.
- (iv) Current litigation information; and
- (v) Availability of critical equipment.

and

- (c) furnish a technical proposal taking into account the various Appendices to Bid specially the following:

Appendix-E to Bid	Proposed Construction Schedule
Appendix-F to Bid	Method of Performing the Work
Appendix-G to Bid	List of Major Equipment
Appendix-K to Bid	Organization Chart for Supervisory Staff

 and other pertinent information such as mobilization program etc.

11.2 Bids submitted by a joint venture of two (2) or more firms shall comply with the following requirements:

- (a) the bid and in case of a successful bid, the Form of Contract Agreement shall be signed so as to be legally binding on all partners.
- (b) one of the joint venture partners shall be nominated as being in charge; and this authorization shall be evidenced by submitting a power of attorney signed by legally authorized signatories of all the joint venture partners.
- (c) the partner-in-charge shall always be duly authorized to deal with the Employer regarding all matters related with and/or incidental to the execution of Works as per the terms and Conditions of Contract and in this regard to incur any and all liabilities, receive instructions, give binding undertakings and receive payments on behalf of the joint venture.
- (d) all partners of the joint venture shall at all times and under all circumstances be liable jointly and severally for the execution of the Contract in accordance with the Contract terms and a statement to this effect shall be included in the authorization mentioned under Sub-Para(b) above as well as in the Form of Bid and in the Form of Contract Agreement (in case of a successful bid); and
- (e) a copy of the agreement entered into by the joint venture partners shall be submitted with the bid stating the conditions under which it will function, its period of duration, the persons authorized to represent and obligate it and which persons will be directly responsible for due performance of the Contract and can give valid receipts on behalf of the joint venture, the proportionate participation of the several firms forming the joint venture, and any other information necessary to permit a full appraisal of its functioning. No amendments / modifications whatsoever in the joint venture agreement shall be agreed to between the joint venture partner without prior written consent of the Employer.

11.3 Bidders shall also submit proposals of work methods and schedule, in sufficient detail to demonstrate the adequacy of the Bidders' proposals to meet the technical specifications and the completion time referred to in Sub-Clause 1.2 hereof.

- 12.1 Unless stated otherwise in the Bidding Documents, the Contract shall be for the whole of the Works as described in Sub-Clause 1.1 hereof, based on the unit rates and / or prices submitted by the bidder.
- 12.2 The bidders shall fill in rates and prices for all items of the Works described in the Bill of Quantities. Items against which no rate or price is entered by a bidder will not be paid for by the Employer when executed and shall be deemed covered by rates and prices for other items in the Bill of Quantities.
- 12.3 All duties, taxes and other levies payable by the Contractor under the Contract, or for any other cause, as on the date 07 days prior to the deadline for submission of bids shall be included in the rates and prices and the total Bid Price submitted by a bidder.

Additional / reduced duties, taxes and levies due to subsequent additions or changes in legislation shall be reimbursed / deducted as per Sub-Clause 70.2 of the General Conditions of Contract Part-I.

- 12.4 The rates and prices quoted by the bidders are subject to adjustment during the performance of the Contract in accordance with the provisions of Clause 70 of the Conditions of Contract. The bidders shall furnish the prescribed information for the price adjustment formulae in Appendix-C to Bid and shall submit with their bids such other supporting information as required under the said Clause.

IB.13 Currencies of Bid and Payment

- 13.1 The unit rates and the prices shall be quoted by the bidder entirely in Pak rupees.
- 13.2 N/A.

IB.14 Bid Validity

- 14.1 Bids shall remain valid for the period stipulated in the Bidding Data after the Date of Bid Opening specified in Clause IB.23.
- 14.2 In exceptional circumstances, prior to expiry of the original bid validity period, the Employer may request that the bidders extend the period of validity for a specified additional period which shall in no case be more than the original bid validity period. The request and the responses thereto shall be made in writing. A bidder may refuse the request without forfeiting his Bid Security. A bidder agreeing to the request will not be required or permitted to modify his bid but will be required to extend the validity of his Bid Security for the period of the extension, and in compliance with Clause IB.15 in all respects.

IB.15 Bid Security

- 15.1 Each bidder shall furnish, as part of his bid, a Bid Security in the amount stipulated in the Bidding Data in Pak Rupees or an equivalent amount in a freely convertible currency.
- 15.2 The Bid Security shall be, at the option of the bidder, in the form of Deposit at Call or a Pay Order and Demand Draft.
- 15.3 Any bid not accompanied by an acceptable Bid Security shall be rejected by the Employer as non-responsive.
- 15.4 The bid securities of unsuccessful bidders will be returned as promptly as possible, but not later than 28 days after the expiration of the period of Bid Validity.
- 15.5 The Bid Security of the successful bidder will be returned when the bidder has furnished the required Performance Security and signed the Contract Agreement.
- 15.6 The Bid Security may be forfeited:
 - (a) if the bidder withdraws his bid except as provided in Sub-Clause 22.1.
 - (b) if the bidder does not accept the correction of his Bid Price pursuant to Sub-Clause 27.2 hereof; or

- (c) In the case of successful bidder, if he fails within the specified time limit to:
 - (i) furnish the required Performance Security; or
 - (ii) sign the Contract Agreement.

IB.16 Alternate Proposals by Bidder

- 16.1 Should any bidder consider that he can offer any advantages to the Employer by a modification to the designs, specifications or other conditions, he may, in addition to his bid to be submitted in strict compliance with the Bidding Documents, submit any Alternate Proposal(s) containing (a) relevant design calculations; (b) technical specifications; (c) proposed construction methodology; and (d) any other relevant details / conditions, provided always that the total sum entered on the Form of Bid shall be that which represents complete compliance with the Bidding Documents. The technical details and financial implication involved are to be submitted in two separate sealed envelopes as to be followed in main bid proposals.
- 16.2 Alternate Proposal(s), if any, of the lowest evaluated responsive bidder only may be considered by the Employer as the basis for the award of Contract to such bidder.

IB.17 Pre-Bid Meeting

- 17.1 The Employer may, on his own motion or at the request of any prospective bidder(s), hold a pre-bid meeting to clarify issues and to answer any questions on matters related to the Bidding Documents. The date, time and venue of pre-bid meeting, if convened, is as stipulated in the Bidding Data. All prospective bidders or their authorized representatives shall be invited to attend such a pre-bid meeting.
- 17.2 The bidders are requested to submit questions, if any, in writing so as to reach the Employer not later than seven (7) days before the proposed pre-bid meeting.
- 17.3 Minutes of the pre-bid meeting, including the text of the questions raised and the replies given, will be transmitted without delay to all purchasers of the Bidding Documents. Any modification of the Bidding Documents listed in Sub-Clause 7.1 hereof which may become necessary as a result of the pre-bid meeting shall be made by the Employer exclusively through the issue of an Addendum pursuant to Clause IB.9 and not through the minutes of the pre-bid meeting.
- 17.4 Absence at the pre-bid meeting will not be a cause for disqualification of a bidder.

IB.18 Format and Signing of Bid

- 18.1 Bidders are particularly directed that the amount entered on the Form of Bid shall be for performing the Contract strictly in accordance with the Bidding Documents.
- 18.2 All appendices to Bid are to be properly completed and signed.
- 18.3 No alteration is to be made in the Form of Bid nor in the Appendices thereto except in filling up the blanks as directed. If any such alterations be made or if these instructions be not fully complied with, the bid may be rejected.
- 18.4 Each bidder shall prepare by filling out the forms completely and without alterations one (1) original and number of copies, specified in the Bidding Data, of the documents comprising the bid as described in Clause IB.7 and clearly mark them "ORIGINAL" and "COPY" as appropriate. In the event of discrepancy between them, the original shall prevail.
- 18.5 The original and all copies of the bid shall be typed or written in indelible ink (in the case of copies, Photostats are also acceptable) and shall be signed by a person or persons duly authorized to sign on behalf of the bidder pursuant to Sub- Clause 11.1(a) hereof. All pages of the bid shall be initialed and stamped by the person or persons signing the bid.
- 18.6 The bid shall contain no alterations, omissions, or additions, except to comply with instructions issued by the Employer, or as are necessary to correct errors made by the bidder, in which case such corrections shall be initialed by the person or persons signing the bid.
- 18.7 Bidders shall indicate in the space provided in the Form of Bid their full and proper addresses at which notices may be legally served on them and to which all correspondence in connection with their bids and the Contract is to be sent.
- 18.8 Bidders should retain a copy of the Bidding Documents as their file copy.

D. SUBMISSION OF BIDS**IB.19 Sealing and Marking of Bids**

- 19.1 Each bidder shall submit his bid as under:
- a) Tender / Bidding document containing details terms & conditions can be downloaded from <http://eprocure.gov.pk> and TCP website <http://www.tcp.gov.pk> free of cost. Bids against the tender document will be received only from those firms who are registered with PPRA for e- procurement on EPADS System (eprocure.gov.pk) for tendering in TCP through their E-mail addresses which were provided by them to PPRA at the time of their registration. The bids, prepared in accordance with instructions in the tender / bidding document must be

submitted on EPADS by April 08 , 2024 at 1100 hours. Bids will be opened on the same day at 1130 hours. The submission of bid by or in person is not allowed.

- b) Bid must be supported with Earnest Money as shown in the bidding document. Copy of Earnest Money shall be attached with the bid at the time of submission of bid through EPAD System and original shall reach to this office before opening of bid date and time.

I-9

Note: Bidders are advised to read, understand and fill the unit rate, amount & unit of BOQ items carefully, Procuring Agency/Executing Agency no case shall be responsible for any claim after the award of contract.

IB.20 Deadline for Submission of Bids

- 20.1 (a) Bids must be received by the Employer at the address specified no later than the time and date stipulated in the Bidding Data.
 - (b) Bids with charges payable will not be accepted, nor will arrangements be undertaken to collect the bids from any delivery point other than that specified above. Bidders shall bear all expenses incurred in the preparation and delivery of bids. No claims will be entertained for refund of such expenses.
 - (c) Where delivery of a bid is by mail and the bidder wishes to receive an acknowledgment of receipt of such bid, he shall make a request for such acknowledgment in a separate letter attached to but not included in the sealed bid package.
 - (d) Upon request, acknowledgment of receipt of bids will be provided to those making delivery in person or by messenger.
- 20.2 The Employer may, at his discretion, extend the deadline for submission of bids by issuing an amendment in accordance with Clause IB.9, in which case all rights and obligations of the Employer and the bidders previously subject to the original deadline will thereafter be subject to the deadline as extended.

I-10

IB.21 Late Bids

- 21.1 (a) Any bid received by the Employer after the deadline for submission of bids prescribed in Clause IB.20 will be returned unopened to such bidder.
- (b) Delays in the mail, delays of person in transit, or delivery of a bid to the wrong office shall not be accepted as an excuse for failure to deliver a bid at the proper place and time. It shall be the bidder's responsibility to determine the manner in which timely delivery of his

bid will be accomplished either in person, by messenger or by mail.

IB.22 Modification, Substitution and Withdrawal of Bids

- 22.1 Any bidder may modify, substitute or withdraw his bid after bid submission provided that the modification, substitution or written notice of withdrawal is received by the Employer prior to the deadline for submission of bids.
- 22.2 The modification, substitution, or notice for withdrawal of any bid shall be prepared, sealed, marked and delivered in accordance with the provisions of Clause IB.19 with the outer and inner envelopes additionally marked “MODIFICATION”, “SUBSTITUTION” or “WITHDRAWAL” as appropriate.
- 22.3 No bid may be modified by a bidder after the deadline for submission of bids except in accordance with Sub-Clauses 22.1 and 27.2.
- 22.4 Withdrawal of a bid during the interval between the deadline for submission of bids and the expiration of the period of bid validity specified in the Form of Bid may result in forfeiture of the Bid Security in pursuance to Clause IB.15.

E. BID OPENING AND EVALUATION

IB.23 Bid Opening

- 23.1 The Employer will open the bids, including withdrawals, substitution and modifications made pursuant to Clause IB.22, in the presence of bidders’ representatives who choose to attend, at the time, date and location stipulated in the Bidding Data. The bidders’ representatives who are present shall sign a register evidencing their attendance.
- 23.2 Envelopes marked “MODIFICATION”, “SUBSTITUTION” or “WITHDRAWAL” shall be opened and read out first. Bids for which an acceptable notice of withdrawal has been submitted pursuant to Clause IB.22 shall not be opened.
- 23.3 The bidder’s name, total Bid Price and price of any Alternate Proposal(s), any discounts, bid modifications, substitution and withdrawals, the presence or absence of Bid Security, and such other details as the Employer may consider appropriate, will be announced by the Employer at the opening of bids.
- 23.4 Employer shall prepare minutes of the bid opening, including the information disclosed to those present in accordance with the Sub-Clause 23.3.

I-11

IB.24 Process to be Confidential

- 24.1 Information relating to the examination, clarification, evaluation and comparison of bid and recommendations for the award of a contract shall not be disclosed to bidders or any other person not officially concerned with such process before the announcement of bid evaluation report which shall be done

at least ten (10) days prior to issue of Letter of Acceptance. The announcement to all Bidders will include table(s) comprising read out prices, discounted prices, price adjustments made, final evaluated prices and recommendations against all the bids evaluated. Any effort by a bidder to influence the Employer's processing of bids or award decisions may result in the rejection of such bidder's bid. Whereas any bidder feeling aggrieved may lodge a written complaint not later than fifteen (15) days after the announcement of the bid evaluation report; however mere fact of lodging a complaint shall not warrant suspension of the procurement process.

IB.25 Clarification of Bids

- 25.1 To assist in the examination, evaluation and comparison of bids, the Employer may, at his discretion, ask any bidder for clarification of his bid, including breakdowns of unit rates. The request for clarification and the response shall be in writing but no change in the price or substance of the bid shall be sought, offered or permitted except as required to confirm the correction of arithmetic errors discovered by the Employer in the evaluation of the bids in accordance with Clause IB.28.

IB.26 Examination of Bids and Determination of Responsiveness

- 26.1 Prior to the detailed evaluation of bids, the Employer will determine whether each bid is substantially responsive to the requirements of the Bidding Documents.
- 26.2 A substantially responsive bid is one which (i) meets the eligibility criteria; (ii) has been properly signed; (iii) is accompanied by the required Bid Security; and (iv) conforms to all the terms, conditions and specifications of the Bidding Documents, without material deviation or reservation. A material deviation or reservation is one (i) which affect in any substantial way the scope, quality or performance of the Works; (ii) which limits in any substantial way, inconsistent with the Bidding Documents, the Employer's rights or the bidder's obligations under the Contract; or (iii) adoption/rectification whereof would affect unfairly the competitive position of other bidders presenting substantially responsive bids.

- 26.3 If a bid is not substantially responsive, it will be rejected by the Employer, and may not subsequently be made responsive by correction or withdrawal of the non-conforming deviation or reservation.

IB.27 Correction of Errors

- 27.1 Bids determined to be substantially responsive will be checked by the Employer for any arithmetic errors. Errors will be corrected by the Employer as follows:
- (a) Where there is a discrepancy between the amounts in figures and in words, the amount in words will govern; and
 - (b) where there is a discrepancy between the unit rate and the line-item total resulting from multiplying the unit rate by the quantity, the unit rate as quoted will govern, unless in the opinion of the Employer there is an obviously gross misplacement of the decimal point in the unit rate, in which case the line-item total as quoted will govern and the unit rate will be corrected.
- 27.2 The amount stated in the Form of Bid will be adjusted by the Employer in accordance with the above procedure for the correction of errors and with the concurrence of the bidder, shall be considered as binding upon the bidder. If the bidder does not accept the corrected Bid Price, his Bid will be rejected, and the Bid Security shall be forfeited in accordance with Sub- Clause 15.6(b) hereof.

IB.28 Evaluation and Comparison of Bids

- 28.1 The Employer will evaluate and compare only the Bids determined to be substantially responsive in accordance with Clause IB.26.
- 28.2 In evaluating the Bids, the Employer will determine for each Bid the evaluated Bid Price by adjusting the Bid Price as follows:
- (a) Making any correction for errors pursuant to Clause IB.27.
 - (b) excluding Provisional Sums and the provision, if any, for contingencies in the Summary Bill of Quantities, but including competitively priced Daywork; and
 - (c) Making an appropriate adjustment for any other acceptable variation or deviation.
- 28.3 The estimated effect of the price adjustment provisions of the Conditions of Contract, applied over the period of execution of the Contract, shall not be taken into account in Bid evaluation.

- 28.4 If the Bid of the successful bidder is seriously unbalanced in relation to the Employer's estimate of the cost of work to be performed under the Contract, the Employer may require the bidder to produce detailed price analyses for any or all items of the Bill of Quantities to demonstrate the internal consistency of those prices with the construction methods and schedule proposed. After evaluation of the price analyses, the Employer may require that the amount of the Performance Security set forth in Clause IB.32 be increased at the expense of the successful bidder to a level sufficient to protect the Employer against financial loss in the event of default of the successful bidder under the Contract.

F. AWARD OF CONTRACT

IB.29 Award

- 29.1 Subject to Clauses IB.30 and IB.34, the Employer will award the Contract to the bidder whose bid has been determined to be substantially responsive to the Bidding Documents and who has offered the lowest evaluated Bid Price, provided that such bidder has been determined to be eligible in accordance with the provisions of Clause IB.3 and qualify pursuant to Sub-Clause IB 29.2.
- 29.2 The Employer, at any stage of the bid evaluation, having credible reasons for or *prima facie* evidence of any defect in supplier's or contractor's capacities, may require the suppliers or contractors to provide information concerning their professional, technical, financial, legal or managerial competence whether already pre-qualified or not:

Provided that such qualification shall only be laid down after recording reasons therefor in writing. They shall form part of the records of that bid evaluation report.

IB.30 Employer's Right to accept any Bid and to reject any or all Bids

- 30.1 Notwithstanding Clause IB.29, the Employer reserves the right to accept or reject any Bid, and to annul the bidding process and reject all bids, at any time prior to award of Contract, without thereby incurring any liability to the affected bidders or any obligation except that the grounds for rejection of all bids shall upon request be communicated to any bidder who submitted a bid, without justification of grounds. Rejection of all bids shall be notified to all bidders promptly.

IB.31 Notification of Award

- 31.1 Prior to expiration of the period of bid validity prescribed by the Employer, the Employer will notify the successful bidder in writing (“Letter of Acceptance”) that his Bid has been accepted. This letter shall name the sum which the Employer will pay the Contractor in consideration of the execution and completion of the Works by the Contractor as prescribed by the Contract (hereinafter and in the Conditions of Contract called the “Contract Price”).
- 31.2 No Negotiation with the bidder having evaluated as lowest responsive or any other bidder shall be permitted, however, Employer may have clarification meetings to get clarify any item in the bid evaluation report.
- 31.3 The notification of award and its acceptance by the bidder will constitute the formation of the Contract, binding the Employer and the bidder till signing of the formal Contract Agreement.
- 31.3 Upon furnishing by the successful bidder of a Performance Security, the Employer will promptly notify the other bidders that their Bids have been unsuccessful and return their bid securities.

IB.32 Performance Security

- 32.1 The successful bidder shall furnish to the Employer a Performance Security in the form and the amount stipulated in the Bidding Data and the Conditions of Contract within a period of 28 days after the receipt of Letter of Acceptance.
- 32.2 Failure of the successful bidder to comply with the requirements of Sub- Clause IB.32.1 or Clauses IB.33 or IB.35 shall constitute sufficient grounds for the annulment of the award and forfeiture of the Bid Security.

IB.33 Signing of Contract Agreement

- 33.1 Within 14 days from the date of furnishing of acceptable Performance Security under the Conditions of Contract, the Employer will send the successful bidder the Contract Agreement in the form provided in the Bidding Documents, incorporating all agreements between the parties.
- 33.2 The formal Agreement between the Employer and the successful bidder shall be executed within 14 days of the receipt of the Contract Agreement by the successful bidder from the Employer.

IB.34 General Performance of the Bidders

The Employer reserves the right to obtain information regarding performance of the bidders on their previously awarded contracts/works. The Employer may in case of consistent poor performance of any Bidder as reported by the employers of the previously awarded contracts, inter alia, reject his bid and/or refer the case to the Pakistan Engineering Council (PEC). Upon such reference, PEC in accordance with its rules, procedures and relevant laws of the land take such action as may be deemed appropriate under the circumstances of the case including blacklisting of such Bidder and debarring him from participation in future bidding for similar works.

IB.35 Integrity Pact

The Bidder shall sign and stamp the Integrity Pact provided at Appendix-L to Bid in the Bidding Documents for all Federal Government procurement contracts exceeding Rupees ten million. Failure to provide such Integrity Pact shall make the bidder non-responsive.

IB.36 Instructions not Part of Contract

Bids shall be prepared and submitted in accordance with these Instructions which are provided to assist bidders in preparing their bids, and do not constitute part of the Bid or the Contract Documents.

BIDDING DATA

BIDDING DATA

The following specific data for the Works to be bided shall complement, amend, or supplement the provisions in the Instructions to Bidders. Wherever there is a conflict, the provisions herein shall prevail over those in the Instructions to Bidders.

1.1 Name and address of the Employer:

Trading Corporation of Pakistan (Pvt.) Limited 4th Floor, Block B, Finance & Trade Center, Shahrea Faisal, Karachi.

1.3 Name of the Project:

Repair/ Renovation Works

2.1 Name of the Borrower/Source of Financing/Funding Agency:

TCP Funded Project.

2.2 Amount and type of financing:

3.1 Eligible Bidders

Delete the text of clause 3.1(b) and replace with the following

This Invitation for Bids is open to all bidders meeting the following requirements:

- Contractors / Firms registered with Income Tax (who are Active on Taxpayers List of Federal Board of Revenue, Balochistan Revenue Authority)
- Contractors / Firms registered which are non-defaulter of Federal Board of Revenue, Balochistan Revenue Authority, Trading Corporation of Pakistan & all govt. organizations.
- Contractors/Firms have No litigation history.
- Contractor/Firms No blacklisted.
- Valid/active registration certificate of Pakistan Engineering Council (PEC) in the category C-6 or above and at least specialization in PEC codes CE-10, C-6 (11), C-6 (11) EE-11 & is mandatory.
- Having Valid/active Electric License.

8.1 Time limits for clarification:

7 days before deadline of submission of bids

1.1 Bid language:

English.

11.1 Documents accompanying the Bid

Delete the text of clause 11.1 (b) & (c) and replace with the following:

The bid is being invited as per ‘**Single Stage-One Envelope**’ procedure, in Compliance of PPRA Rule No. 36(a).

1. Each bid shall comprise one single envelope having technical and financial requirements. All bids received shall be opened and evaluated in the manner prescribed in the bidding document.
2. The ‘Technical Proposal’ must contain the following as per the requirements of this document and criteria mentioned in clause 28.1(ii) of bidding data:
 - a. Name of firm/contractor with year of establishment along with Postal Address and telephone number.
 - b. Partnership deed of the firm (if applicable)
 - c. Name of Technical Supervisory Staff along with their qualification/experience & proof for their stay with the firm, with fresh affidavit as per criteria specified in clause 28.1(ii) of bidding data
 - d. Detail of equipment such as shuttering, scaffolding, automatic concrete batching plant, & etc. complete in all respect giving their model, make, condition & location. Proof / lease affidavit of possession/provision of equipment is mandatory (Details should be given as mentioned in clause 28.1(ii) of bidding data)
 - e. No. of project of similar nature and general works in hand and completed. (Details should be given as mentioned in clause 28.1(ii) of bidding data)
 - f. Registration/Clearance from FBR and BRA
 - g. Detail of Court cases if any/arbitration cases etc.
 - h. Enlistment with concerned Government Departments.
 - i. Detail of financial soundness.
 - j. Undertaking on judicial paper that the firm was never blacklisted by any Government, Semi Govt. Organization.
 - k. Copy of Valid Registration with Pakistan Engineering Council. Any additional information with documents in addition to the above that the firm might like to furnish in support of their application.
 - l. Appendix-E to Bid Proposed Construction Schedule
 - m. Appendix-F to Bid Method of Performing the Work
 - n. Appendix-H to Bid Construction camp and housing facilities
 - o. Appendix-I to Bid List of Subcontractors
 - p. Appendix-K to Bid Organization Chart of the Supervisory Staff and Labour
 - q. Appendix-L to Bid Integrity Pact
3. The “Financial proposal” must contain following documents:
 - a. Priced BOQ
 Bid Security 2% of the estimated cost in the form of Bank Draft/ Pay order / CDR from any scheduled bank of Pakistan in favour of

11.2 Joint Venture (JV)

Delete the text of clause 11.2 and replace with the following:

Joint Venture is not applicable to the said project.

13.1 Currencies of Bid and Payment

Bidders to quote entirely in Pak. Rupees

14.1 Period of Bid Validity:

90 days.

15.1 Bid Security:

&15.2

Bid Security 2% of the quoted cost in the form of Bank Draft / Pay order/ CDR from any scheduled bank of Pakistan in favour of Trading Corporation of Pakistan (Pvt) Limited

16.0 Alternate Proposals by Bidder

Delete the text of clause 16.1 & 16.2 and replace with the following

No Alternate bid is allowed

17.1 Venue, time, and date of the pre-Bid meeting:

18.4 Number of copies of the Bid to be completed and returned:

one copy to be uploaded on EPAD Portal.

19.2(a) Employer's address for the purpose of Bid submission:

Trading Corporation of Pakistan

Address: Trading Corporation of Pakistan (Pvt.) Limited 4th Floor, Block B, Finance & Trade Center, Shahrea Faisal, Karachi.

19.2(b) Name and Number of the Contract:

Repair/ Renovation Works

20.1(a) Deadline for submission of bids:

Bids will be received till _____ by _____ (hours).

23.1 Venue, time, and date of Bid opening:

Bids will be opened at _____ (hours) of _____.

28.1 Evaluation and Comparison of Bids:

Add following text to clause 28.1

- i. Each bid shall comprise one single having technical and financial requirements. All bids

received shall be opened and evaluated in the manner prescribed in the bidding document.

ii. **Technical Evaluation Criteria**

Technical proposal of contractors will be evaluated as per following criteria:

Sr. No.	Category	Weightage /Marks
1.	Experience Record	35
2.	Personnel Capabilities	15
3.	Equipment Capabilities	20
4.	Financial Soundness	20
5.	HSE Statement	10
Total:		100

Note: Technical soundness shall be decided on the basis of Pass/Fail basis. The applicant must secure at least 50% score in each category and overall, 75% score.

Relevant Experience and PEC Requirement

Sr. No.	Type of Work	PEC Requirement
1.	Building Works	(PEC) in the category C-6 or above and at least specialization in PEC codes CE-10, C-6 (11), C-6 (11) EE-11.

a. **General Experience**

Credit Marks for experience shall be awarded on the basis of following criteria:

Sr. No.	Description	Maximum Points
i)	3 projects of similar nature and complexity completed over last 10 years (5 points for each project of 10 million or above of building works, Projects below 10 million will be awarded zero marks).(Supporting documents including work order and completion certificate duly signed by respective clients are mandatory)	15
ii)	1 project of similar nature and complexity in hand (10 points for 1 project of 10 million or above of building works, Project below 10 million will be awarded zero marks). (Supporting documents including work order duly signed by respective clients are mandatory)	10
iii)	General experience of 5 projects completed over last 10-years (1 point for each project of 10 million or above of any type of civil work, Projects below 10 million will be awarded zero marks). (Supporting documents including work order and completion certificate duly signed by respective clients are	5

	mandatory)	
iv)	Status of enlistment with Govt. Organization & other agencies (2.5 marks for each).	5
	Sub-total:	35

b. Personnel Capabilities

Credit Marks shall be awarded under this category using the following Criteria:

Sr. No.	Description	Maximum Points
i)	Graduate Engineer (CV, PEC Reg. & Signed Affidavit is mandatory)	
	a) Number of Engineers (3-Marks for each Civil Engineer with building work experience)	6
	b) Experience of Civil Engineer:- experience in number of years (1.5 marks for 5-year experience in building work. Marks for less experience will be given proportionately).	3
ii)	DAE Associate Engineer (Civil) (CV, Educational Docs. & Signed Affidavit is mandatory).	
	a) Number of Engineers (2-Marks for each with building work experience.	4
	b) Experience of DAE Engineer:- experience in number of years (1 marks for 10-year experience in building work. Marks for less experience will be given proportionately).	2
	Sub-total:	15

c. Equipment Capabilities

Credit Marks shall be granted on the basis of the following criteria for various kinds of equipment, Proof of possession / lease affidavit is mandatory:

Sr. No.	Equipment Type and Characteristics	Maximum Marks
1.	Concrete Mixer minimum 2 bags (1 nos.)	6
2.	Concrete Vibrator + Plate Compactor (1+1 nos.)	4
3.	Wall Saw + Drill + Tile Cutter (2+2+2 nos.)	6
4.	Tractor + Water Tankers (1+1 nos.)	4
	Sub-total:	20

d. Financial Position

Credit Marks shall be awarded on the basis of the following criteria:

Sr. No.	Description	Maximum Marks
i)	Audited Report of last 3-years showing Average Annual Turnover of 40 million will be awarded full marks but for less than 40 million no marks will be	10

Sr. No.	Description	Maximum Marks
	awarded.	
ii)	Available Bank Credit line. Full marks for 3 million limit but for less than 3 million no marks will be awarded. (Mandatory)	5
iii)	Registration with FBR & BRA (Mandatory)	1
iv)	Litigation History in which Decision has been given against the firm. (In case the firm is involved in any litigation, no marks will be given and 2 points will be given in case affidavit of no litigation is attached).	2
v)	Blacklisting from any agency. (In case the firm is blacklisted, no Marks will be given and 2 points will be given in case affidavit by the company that it has not been black listed is attached).	2
	Sub-total:	20

e. Health Safety & Environment (HSE) Policy 10

29.1 Award of the Contract:

Delete the text of clause 29.1 & 29.2 and replace with the following:

Subject to Clause IB.30 and IB.34, the Employer will award the Contract to the bidder whose bid has been determined to be substantially responsive to the Bidding Document, has met the technical requirement criteria as mentioned in clause 28.1(ii) and has offered the lowest evaluated Bid Price, provided that such bidder has been determined to be eligible in accordance with the provisions of Clause IB.3.

37.0 Price Adjustment:

No price adjustment will be applicable on said project.

**FORM OF BID
AND
APPENDICES TO BID**

FORM OF BID

Bid Reference No. _____
(Name of Contract/Works)

To:

Gentleman,

1. Having examined the Bidding Documents including Instructions to Bidders, Bidding Data, Conditions of Contract. Specifications, Drawings and Bill of Quantities and Addenda Nos. for the execution of the above- named Works, we, the undersigned, offer to execute and complete such Works and remedy any defects therein in conformity with the Conditions of Contract. Specifications, Drawings, Bill of Quantities and Addenda for the sum of Rs. _____ (Rupees _____) or such other sum as may be ascertained in accordance with the said conditions.
2. We understand that all the Appendices attached hereto form part of this Bid.
3. As security for due performance of the undertakings and obligations of this Bid, we submit herewith a Bid Security in the amount of Rupees _____ (Rs. _____) drawn in your favour or made payable to you and valid for a period of _____ days beginning from the date Bids are opened.
4. We undertake, if our Bid is accepted, to commence the Works and to complete the whole of the Works comprised in the Contract within the time stated in Appendix-A to Bid.
5. We agree to abide by this Bid for the period of _____ days from the date fixed for receiving the same and it shall remain binding upon us and may be accepted at any time before the expiration of that period.
6. Unless and until a formal Agreement is prepared and executed, this Bid, together with your written acceptance thereof, shall constitute a binding contract between us.
7. We do hereby declare that the Bid is made without any collusion, comparison of figures or arrangement with any other bidder for the Works.

8. We understand that you are not bound to accept the lowest or any Bid you may receive.

Dated this _____ day of _____ 20 _____

Signature: _____

in the capacity of _____ duly authorized to sign Bids for and on behalf of

(Name of Bidder in Block Capitals)
(Seal)

Address: _____

Witness:

Signature: _____

Name: _____

Address. _____

Occupation _____

SPECIAL STIPULATIONS**Clause****Conditions of Contract**

1.	Engineer's Authority to issue Variation in emergency.	2.1	15% of the Contract Price stated in the Letter of Acceptance.
2.	Amount of Performance Security	10.1	Up to 10% of Contract Price stated in the Letter of Acceptance in shape of bank guarantee from any scheduled bank of Pakistan as per approved format.
3.	Time for Furnishing Program	14.1	Within 14 days from the date of receipt of Letter of Acceptance.
4.	Time for Commencement	41.1	Within 7 days from the date of receipt of Engineer's Notice to Commence which shall be issued within fourteen (14) days after signing of Contract Agreement.
5.	Time for Completion	43.1	3 months.
6.	a) Amount of Liquidated Damages	47.1	Rs. 10,000/- for each day of delay in completion of the Works subject to a maximum of 10% of Contract Price stated in the Letter of Acceptance.
7.	Defects Liability Period	49.1	365 days from the effective date of Taking Over Certificate.
8.	Percentage of Retention Money	60.2	5% of the amount of Interim Payment Certificate will be deducted upto the maximum limit specified
9.	Limit of Retention Money	60.2	10% of Contract Price stated in the Letter of Acceptance.
10.	Minimum amount of Interim Payment Certificates (Running Bills)	60.2	Rs. 2 million.
11.	Time of Payment from delivery of Engineer's Interim Payment Certificate to the Employer.	60.10	30 days. (Subjected to availability of funds).

FOREIGN CURRENCY REQUIREMENTS

- 1. The Bidder may indicate here in below his requirements of foreign currency (if any), with reference to various inputs to the Works.
- 2. Foreign Currency Requirement as percentage of the Bid Price excluding Provisional Sums _____%.
- 3. Table of Exchange Rates

Unit of Currency	Equivalent in Pak. Rupees
Australian Dollar	-----
Euro	-----
Japanese Yen	-----
U.K. Pound	-----
U.S. Dollars	-----
-----	-----
-----	-----

**PRICE ADJUSTMENT UNDER CLAUSE 70
OF CONDITIONS OF CONTRACT**

The source of indices and the weightages or coefficients for use in the adjustment formula under Clause 70 shall be as follows:

(To be filled by the Employer)

Cost Element	Description	Weightages	Applicable index
1	2	3	4
(i)	Fixed Portion	0.350	
(ii)	Local Labour		Government of Pakistan (GP) Federal Bureau of Statistics (FBS) Monthly Statistical Bulletin.
(iii)	Cement – in bags		“ “ “
(iv)	Reinforcing Steel		“ “ “
(v)	High Speed Diesel (HSD)		“ “ “
(vi)	Bricks		“ “ “
(vii)	Bitumen		“ “ “
(viii)			
	Total	1.000	

Notes:

- 1) Indices for “(ii)” to “(vii)” are taken from the Government of Pakistan Federal Bureau of Statistics, Monthly Statistical Bulletin. The base cost indices or prices shall be those applying 28 days prior to the latest day for submission of bids. Current indices or prices shall be those applying 28 days prior to the last day of the billing period.
- 2) Any fluctuation in the indices or prices of materials other than those given above shall not be subject to adjustment of the Contract Price.
- 3) Fixed portion shown here is for typical road project, Employer to determine the weightage of Fixed Portion considering only those cost elements having cost impact of seven (7) percent or more on his specific project.

BILL OF QUANTITIES

A. Preamble

1. The Bill of Quantities shall be read in conjunction with the Conditions of Contract, Specifications and Drawings.
2. The quantities given in the Bill of Quantities are estimated and provisional and are given to provide a common basis for bidding. The basis of payment will be the actual quantities of work executed and measured by the Contractor and verified by the Engineer and valued at the rates and prices entered in the priced Bill of Quantities, where applicable, and otherwise at such rates and prices as the Engineer may fix as per the Contract.
3. The rates and prices entered in the priced Bill of Quantities shall, except insofar as it is otherwise provided under the Contract include all costs of Contractor's plant, labour, supervision, materials, execution, insurance, profit, taxes and duties, together with all general risks, liabilities and obligations set out or implied in the Contract. Furthermore, all duties, taxes and other levies payable by the Contractor under the Contract, or for any other cause, as on the date 28 days prior to deadline for submission of Bids, shall be included in the rates and prices and the total Bid Price submitted by the Bidder.
4. A rate or price shall be entered against each item in the priced Bill of Quantities, whether quantities are stated or not. The cost of items against which the Contractor will have failed to enter a rate or price shall be deemed to be covered by other rates and prices entered in the Bill of Quantities.
5. The whole cost of complying with the provisions of the Contract shall be included in the items provided in the priced Bill of Quantities, and where no items are provided, the cost shall be deemed to be distributed among the rates and prices entered for the related items of the Works.
6. General directions and description of work and materials are not necessarily repeated nor summarised in the Bill of Quantities. References to the relevant sections of the Bidding Documents shall be made before entering prices against each item in the priced Bill of Quantities.
7. Provisional sums included and so designated in the Bill of Quantities shall be expended in whole or in part at the direction and discretion of the Engineer in accordance with Sub-Clause 58.2 of Part I, General Conditions of Contract.

B. Work Items

1. The Bill of Quantities are attached at the end of this document.

PROPOSED CONSTRUCTION SCHEDULE

Pursuant to Sub-Clause 43.1 of the General Conditions of Contract, the Works shall be completed on or before the date stated in Appendix-A to Bid. The Bidder shall provide as Appendix-E to Bid, the Construction Schedule in the bar chart (CPM, PERT or any other to be specified herein) showing the sequence of work items and the period of time during which he proposes to complete each work item in such a manner that his proposed program for completion of the whole of the Works and parts of the Works may meet Employer’s completion targets in days noted below and counted from the date of receipt of Engineer’s Notice to Commence (Attach sheets as required for the specified form of Construction Schedule):

<u>Description</u>	<u>Time for Completion</u>
a) Whole Works	_____ days
b) Part-A	_____ days
c) Part-B	_____ days
d)_____	_____ days
e)_____	_____ days

METHOD OF PERFORMING THE WORK

[The Bidder is required to submit a narrative outlining the method of performing the Work. The narrative should indicate in detail and include but not be limited to:

1. Organization Chart indicating head office and field office personnel involved in management and supervision, engineering, equipment maintenance and purchasing.
2. Mobilization in Pakistan, the type of facilities including personnel accommodation, office accommodation, provision for maintenance and for storage, communications, security and other services to be used.
3. The method of executing the Works, the procedures for installation of equipment and machinery and transportation of equipment and materials to the site.]

LIST OF MAJOR EQUIPMENT – RELATED ITEMS

The bidder will provide list of equipments as per the requirements of clause 28.1(vi) of bidding data along with details make, model etc. The bidder will also provide a signed affidavit (mandatory) that the mentioned equipment is in possession of the bidder.

CONSTRUCTION CAMP AND HOUSING FACILITIES

The Contractor in accordance with Clause 34 of the Conditions of Contract shall provide description of his construction camp's facilities and staff housing requirements.

The Contractor shall be responsible for pumps, electrical power, water and electrical distribution systems, and sewerage system including all fittings, pipes and other items necessary for servicing the Contractor's construction camp.

The Bidder shall list or explain his plans for providing these facilities for the service of the Contract as follows:

1. Site Preparation (clearing, land preparation, etc.).
2. Provision of Services.
 - a) Power (expected power load, etc.).
 - b) Water (required amount and system proposed).
 - c) Sanitation (sewage disposal system, etc.).
3. Construction of Facilities
 - a) Contractor's Office. Workshop and Work Areas (areas required and proposed layout, type of construction of buildings, etc.).
 - b) Warehouses and Storage Areas (area required, type of construction and layout).
 - c) Housing and Staff Facilities (Plans for housing for proposed staff, layout, type of construction, etc.).
4. Construction Equipment Assembly and Preparation (detailed plans for carrying out this activity).
5. Other Items Proposed (Security services, etc.).

LIST OF SUBCONTRACTORS

I/We intend to subcontract the following parts of the Work to subcontractors. In my/our opinion, the subcontractors named hereunder are reliable and competent to perform that part of the work for which each is listed.

Enclosed are documentation outlining experience of subcontractors, the curriculum vitae and experience of their key personnel who will be assigned to the Contract, equipment to be supplied by them, size, location and type of contracts carried out in the past.

Part of Works (Give Details)	Subcontractor (With Complete Address)
1	2

ESTIMATED PROGRESS PAYMENTS

Bidder's estimate of the value of work which would be executed by him during each of the periods stated below, based on his Program of the Works and the Rates in the Bill of Quantities, expressed in thousands of Pakistani Rupees:

Quarter/ Year/ Period	Amounts (1,000 Rs.)
1	2
Ist Quarter	
2 nd Quarter	
3 rd Quarter	
4 th Quarter	
5 th Quarter	
6 th Quarter	
7 th Quarter	
8 th Quarter	
9 th Quarter	
Bid Price	

**ORGANIZATION CHART
FOR THE
SUPERVISORY STAFF AND LABOUR**

(INTEGRITY PACT)

**DECLARATION OF FEES, COMMISSION AND BROKERAGE ETC.
PAYABLE BY THE SUPPLIERS OF GOODS, SERVICES & WORKS IN
CONTRACTS WORTH RS. 10.00 MILLION OR MORE**

Contract No. _____ Dated _____
Contract Value: _____
Contract Title: _____

..... [name of Supplier] hereby declares that it has not obtained or induced the procurement of any contract, right, interest, privilege or other obligation or benefit from Government of Pakistan (GoP) or any administrative subdivision or agency thereof or any other entity owned or controlled by GoP through any corrupt business practice.

Without limiting the generality of the foregoing, [name of Supplier] represents and warrants that it has fully declared the brokerage, commission, fees etc. paid or payable to anyone and not given or agreed to give and shall not give or agree to give to anyone within or outside Pakistan either directly or indirectly through any natural or juridical person, including its affiliate, agent, associate, broker, consultant, director, promoter, shareholder, sponsor or subsidiary, any commission, gratification, bribe, finder’s fee or kickback, whether described as consultation fee or otherwise, with the object of obtaining or inducing the procurement of a contract, right, interest, privilege or other obligation or benefit in whatsoever form from GoP, except that which has been expressly declared pursuant hereto.

[name of Supplier] certifies that it has made and will make full disclosure of all agreements and arrangements with all persons in respect of or related to the transaction with GoP and has not taken any action or will not take any action to circumvent the above declaration, representation or warranty.

[name of Supplier] accepts full responsibility and strict liability for making any false declaration, not making full disclosure, misrepresenting facts or taking any action likely to defeat the purpose of this declaration, representation and warranty. It agrees that any contract, right, interest, privilege or other obligation or benefit obtained or procured as aforesaid shall, without prejudice to any other rights and remedies available to GoP under any law, contract or other instrument, be voidable at the option of GoP.

Notwithstanding any rights and remedies exercised by GoP in this regard, [name of Supplier] agrees to indemnify GoP for any loss or damage incurred by it on account of its corrupt business practices and further pay compensation to GoP in an amount equivalent to ten time the sum of any commission, gratification, bribe, finder’s fee or kickback given by [name of Supplier] as aforesaid for the purpose of obtaining or inducing the procurement of any contract, right, interest, privilege or other obligation or benefit in whatsoever form from GoP.

Name of Buyer:
Signature:
[Seal]

Name of Seller/Supplier:
Signature:
[Seal]

FORMS

**PERFORMANCE SECURITY
CONTRACT AGREEMENT
MOBILIZATION ADVANCE GUARANTEE/BOND**

**FORM OF PERFORMANCE SECURITY
(Bank Guarantee)**

Guarantee No. _____
Executed on _____
Expiry date _____

[Letter by the Guarantor to the Employer]

Name of Guarantor (Bank) with address: _____
(Scheduled Bank in Pakistan)

Name of Principal (Contractor) with address: _____

Penal Sum of Security (express in words and figures) _____

Letter of Acceptance No. _____ Dated _____

KNOW ALL MEN BY THESE PRESENTS, that in pursuance of the terms of the Bidding Documents and above said Letter of Acceptance (hereinafter called the Documents) and at the request of the said Principal we, the Guarantor above named, are held and firmly bound unto the _____ (hereinafter called the Employer) in the penal sum of the amount stated above for the payment of which sum well and truly to be made to the said Employer, we bind ourselves, our heirs, executors, administrators and successors, jointly and severally, firmly by these presents.

THE CONDITION OF THIS OBLIGATION IS SUCH, that whereas the Principal has accepted the Employer's above said Letter of Acceptance for _____ (Name of Contract) for the _____ (Name of Project).

NOW THEREFORE, if the Principal (Contractor) shall well and truly perform and fulfill all the undertakings, covenants, terms and conditions of the said Documents during the original terms of the said Documents and any extensions thereof that may be granted by the Employer, with or without notice to the Guarantor, which notice is, hereby, waived and shall also well and truly perform and fulfill all the undertakings, covenants terms and conditions of the Contract and of any and all modifications of said Documents that may hereafter be made, notice of which modifications to the Guarantor being hereby waived, then, this obligation to be void; otherwise to remain in full force and virtue till all requirements of Clause 49, Defects Liability, of Conditions of Contract are fulfilled.

Our total liability under this Guarantee is limited to the sum stated above and it is a condition of any liability attaching to us under this Guarantee that the claim for payment in writing shall be received by us within the validity period of this Guarantee, failing which we shall be discharged of our liability, if any, under this Guarantee.

We, _____ (the Guarantor), waiving all objections and defences under the Contract, do hereby irrevocably and independently guarantee to pay to the Employer without delay upon the Employer's first written demand without cavil or arguments and without requiring the Employer to prove or to show grounds or reasons for such demand any sum or sums up to the amount stated above, against the Employer's written declaration that the Principal has refused or failed to perform the obligations under the Contract which payment will be effected by the Guarantor to Employer's designated Bank & Account Number.

PROVIDED ALSO THAT the Employer shall be the sole and final judge for deciding whether the Principal (Contractor) has duly performed his obligations under the Contract or has defaulted in fulfilling said obligations and the Guarantor shall pay without objection any sum or sums up to the amount stated above upon first written demand from the Employer forthwith and without any reference to the Principal or any other person.

IN WITNESS WHEREOF, the above-bounden Guarantor has executed this Instrument under its seal on the date indicated above, the name and corporate seal of the Guarantor being hereto affixed, and these presents duly signed by its undersigned representative, pursuant to authority of its governing body.

	_____ Guarantor (Bank)
Witness:	
1. _____	Signature _____
_____	Name _____
Corporate Secretary (Seal)	Title _____
2. _____	
_____	_____
Name, Title & Address	Corporate Guarantor (Seal)

FORM OF CONTRACT AGREEMENT

THIS CONTRACT AGREEMENT (hereinafter called the "Agreement") made on the _____ day of _____ (month) 20____ between _____ (hereafter called the "Employer") of the one part and _____ (hereafter called the "Contractor") of the other part.

WHEREAS the Employer is desirous that certain Works, viz _____ should be executed by the Contractor and has accepted a Bid by the Contractor for the execution and completion of such Works and the remedying of any defects therein.

NOW this Agreement witnessed as follows:

1. In this Agreement words and expressions shall have the same meanings as are respectively assigned to them in the Conditions of Contract hereinafter referred to.
2. The following documents after incorporating addenda, if any, except those parts relating to Instructions to Bidders shall be deemed to form and be read and construed as part of this Agreement, viz:
 - (a) The Contract Agreement.
 - (b) The Letter of Acceptance.
 - (c) The completed Form of Bid.
 - (d) Special Stipulations (Appendix-A to Bid).
 - (e) The Particular Conditions of Contract – Part II.
 - (f) The General Conditions – Part I.
 - (g) The priced Bill of Quantities (Appendix-D to Bid).
 - (h) The completed Appendices to Bid (B, C, E to M).
 - (i) The Drawings.
 - (j) The Specifications.
3. In consideration of the payments to be made by the Employer to the Contractor as hereinafter mentioned, the Contractor hereby covenants with the Employer to execute and complete the Works and remedy defects therein in conformity and in all respects with the provisions of the Contract.
4. The Employer hereby covenants to pay the Contractor, in consideration of the execution and completion of the Works as per provisions of the Contract, the Contract Price or such other sum as may become payable under the provisions of the Contract at the times and in the manner prescribed by the Contract.

IN WITNESS WHEREOF the parties hereto have caused this Agreement to be executed on the day, month and year first before written in accordance with their respective laws.

Signature of the Contactor

Signature of Employer

(Seal)

(Seal)

Signed, Sealed and Delivered in the presence of:

Witness:

Witness:

(Name, Title and Address)

(Name, Title and Address)

MOBILIZATION ADVANCE GUARANTEE

Guarantee No. _____ Date _____

WHEREAS _____ (hereinafter called the 'Employer') has entered into a Contract for _____
 _____ (Particulars of Contract)
 with _____ (hereinafter called the "Contractor").

AND WHEREAS, the Employer has agreed to advance to the Contractor, at the Contractor's request, an amount of Rupees _____ (Rs _____) which amount shall be advanced to the Contractor as per provisions of the Contract.

AND WHEREAS, the Employer has asked the Contractor to furnish Guarantee to secure the mobilization advance for the performance of his obligations under the said Contract.

AND WHEREAS, _____
 _____ (Scheduled Bank in Pakistan)
 (Hereinafter called the "Guarantor") at the request of the Contractor and in consideration of the Employer agreeing to make the above advance to the Contractor, has agreed to furnish the said Guarantee.

NOW, THEREFORE, the Guarantor hereby guarantees that the Contractor shall use the advance for the purpose of above-mentioned Contract and if he fails and commits default in fulfilment of any of his obligations for which the advance payment is made, the Guarantor shall be liable to the Employer for payment not exceeding the aforementioned amount.

Notice in writing of any default, of which the Employer shall be the sole and final judge, on the part of the Contractor, shall be given by the Employer to the Guarantor, and on such first written demand, payment shall be made by the Guarantor of all sums then due under this Guarantee without any reference to the Contractor and without any objection.

This Guarantee shall remain in force until the advance is fully adjusted against payments from the Interim Payment Certificates of the Contractor or until _____ whichever is earlier.

 (Date)

The Guarantor's liability under this Guarantee shall not in any case exceed the sum of Rupees _____ (Rs _____).

This Guarantee shall remain valid up to the aforesaid date and shall be null and void after the aforesaid date or earlier if the advance made to the Contractor is fully adjusted against payments from Interim Payment Certificates of the Contractor provided that the Guarantor agrees that the aforesaid period of validity shall be deemed to be extended if on the above-mentioned date, the advance payment is not fully adjusted.

GUARANTOR

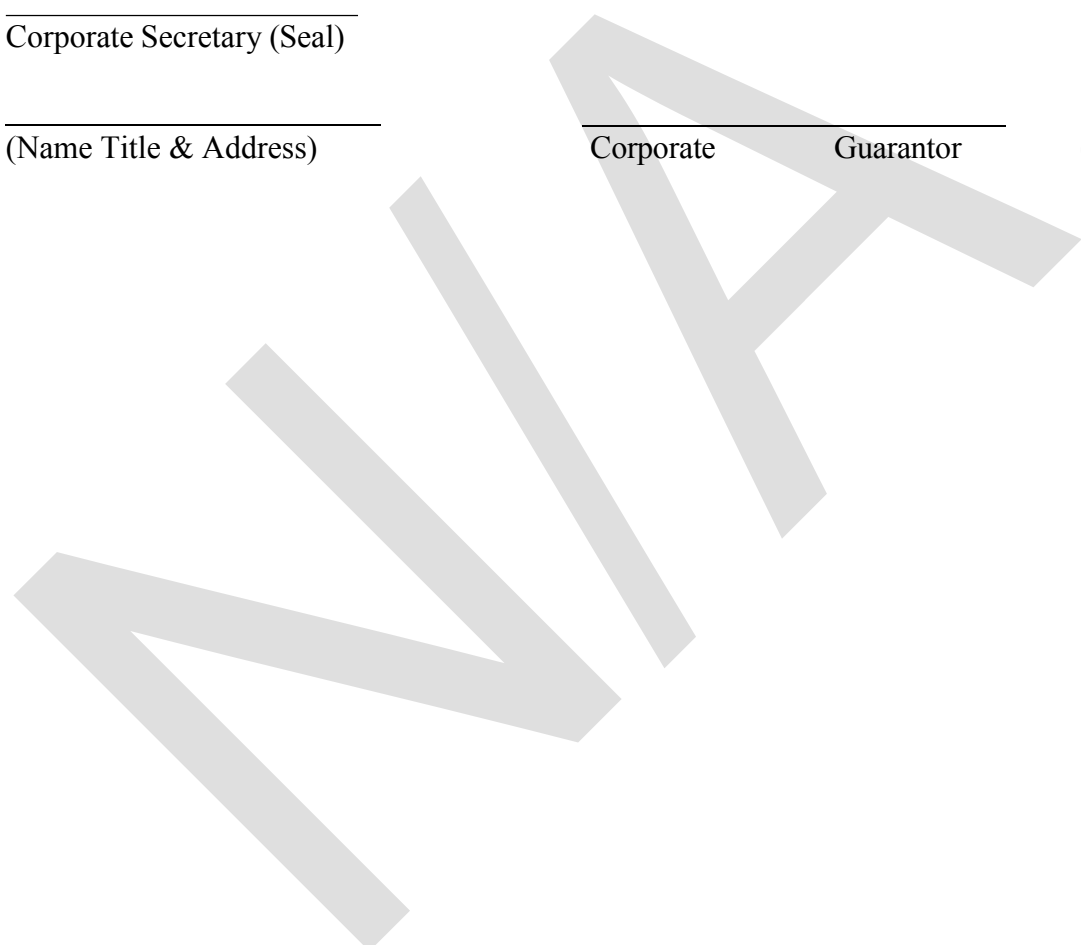
- 1. Signature _____
- 2. Name _____
- 3. Title _____

WITNESS

1. _____

Corporate Secretary (Seal)

2. _____
(Name Title & Address) Corporate Guarantor (Seal)



Part I - General Conditions of Contract

CONTENTS

PART I: GENERAL CONDITIONS

Definitions and Interpretation	59
1.1 Definitions	59
1.2 Headings and Marginal Notes	61
1.3 Interpretation	61
1.4 Singular and Plural	62
1.5 Notices, Consents, Approvals, Certificates and Determinations	62
Engineer and Engineer's Representative	62
2.1 Engineer's Duties and Authority	62
2.2 Engineer's Representative	62
2.3 Engineer's Authority to Delegate	62
2.4 Appointment of Assistants	63
2.5 Instructions in Writing	63
2.6 Engineer to Act Impartially	63
Assignment and Subcontracting	64
3.1 Assignment of Contract	64
4.1 Subcontracting	64
4.2 Assignment of Subcontractors' Obligations	64
Contract Documents	65
5.1 Language/s and Law	65
5.2 Priority of Contract Documents	65
6.1 Custody and Supply of Drawings and Documents	65
6.2 One Copy of Drawings to be Kept on Site	66
6.3 Disruption of Progress	66
6.4 Delays and Cost of Delay of Drawings	66
6.5 Failure by Contractor to Submit Drawings	66
7.1 Supplementary Drawings and Instructions	67
7.2 Permanent Works Designed by Contractor	67
7.3 Responsibility Unaffected by Approval	67
General Obligations	67
8.1 Contractor's General Responsibilities	67
8.2 Site Operations and Methods of Construction	67
9.1 Contract Agreement	68
10.1 Performance Security	68
10.2 Period of Validity of Performance Security	68

10.3	Claims under Performance Security	68
11.1	Inspection of Site	68
12.1	Sufficiency of Tender	69
12.2	Not Foreseeable Physical Obstructions or Conditions	69
13.1	Work to be in Accordance with Contract	70
14.1	Program to be Submitted	70
14.2	Revised Program	70
14.3	Cash Flow Estimate to be Submitted	70
14.4	Contractor not Relieved of Duties or Responsibilities	71
15.1	Contractor's Superintendence	71
16.1	Contractor's Employees	71
16.2	Engineer at Liberty to Object	71
17.1	Setting-out	72
18.1	Boreholes and Exploratory Excavation	72
19.1	Safety, Security and Protection of the Environment	72
19.2	Employer's Responsibilities	73
20.1	Care of Works	73
20.2	Responsibility to Rectify Loss or Damage	73
20.3	Loss or Damage Due to Employer's Risks	74
20.4	Employer's Risks	74
21.1	Insurance of Works and Contractor's Equipment	75
21.2	Scope of Cover	75
21.3	Responsibility for Amounts not Recovered	75
21.4	Exclusions	76
22.1	Damage to Persons and Property	76
22.2	Exceptions	76
22.3	Indemnity by Employer	77
23.1	Third Party Insurance (including Employer's Property)	77
23.2	Minimum Amount of Insurance	77
23.3	Cross Liabilities	77
24.1	Accident or Injury to Workmen	77
24.2	Insurance Against Accident to Workmen	77
25.1	Evidence and Terms of Insurances	78
25.2	Adequacy of Insurances	78
25.3	Remedy on Contractor's Failure to Insure	78
25.4	Compliance with Policy Conditions	78
26.1	Compliance with Statutes, Regulations	78
27.1	Fossils	79
28.1	Patent Rights	79
28.2	Royalties	79
29.1	Interference With Traffic and Adjoining Properties	80
30.1	Avoidance of Damage to Roads	80
30.2	Transport of Contractor's Equipment or Temporary Works	80
30.3	Transport of Materials or Plant	80
30.4	Waterborne Traffic	81
31.1	Opportunities for Other Contractors	81
31.2	Facilities for Other Contractors	81
32.1	Contractor to Keep Site Clear	82
33.1	Clearance of Site on Completion	82

	Labour	82
34.1	Engagement of Staff and Labour	82
35.1	Returns of Labour and Contractor's Equipment	82
	Materials, Plant and Workmanship	83
36.1	Quality of Materials, Plant and Workmanship	83
36.2	Cost of Samples	83
36.3	Cost of Tests	83
36.4	Cost of Tests not Provided for	83
36.5	Engineer's Determination where Tests not Provided for	84
37.1	Inspection of Operations	84
37.2	Inspection and Testing	84
37.3	Dates for Inspection and Testing	84
37.4	Rejection	85
37.5	Independent Inspection	85
38.1	Examination of Work before Covering up	85
38.2	Uncovering and Making Openings	85
39.1	Removal of Improper Work, Materials or Plant	86
39.2	Default of Contractor in Compliance	86
	Suspension	86
40.1	Suspension of Work	86
40.2	Engineer's Determination following Suspension	87
40.3	Suspension lasting more than 84 Days	87
	Commencement and Delays	87
41.1	Commencement of Works	87
42.1	Possession of Site and Access Thereto	88
42.2	Failure to Give Possession	88
42.3	Rights of Way and Facilities	88
43.1	Time for Completion	89
44.1	Extension of Time for Completion	89
44.2	Contractor to Provide Notification and Detailed Particulars	89
44.3	Interim Determination of Extension	89
45.1	Restriction on Working Hours	90
46.1	Rate of Progress	90
47.1	Liquidated Damages for Delay	90
47.2	Reduction of Liquidated Damages	91
48.1	Taking-Over Certificate	91
48.2	Taking-Over of Sections or Parts	92
48.3	Substantial Completion of Parts	92
48.4	Surfaces Requiring Reinstatement	92

	Defects Liability	92
49.1	Defects Liability Period	92
49.2	Completion of Outstanding Work and Remedying Defects	93
49.3	Cost of Remedying Defects	93
49.4	Contractor's Failure to Carry Out Instructions	93
50.1	Contractor to Search	94
	Alterations, Additions and Omissions	94
51.1	Variations	94
51.2	Instructions for Variations	94
52.1	Valuation of Variations	95
52.2	Power of Engineer to Fix Rates	95
52.3	Variations Exceeding 15 percent	96
52.4	Daywork	96
	Procedure for Claims	97
53.1	Notice of Claims	97
53.2	Contemporary Records	97
53.3	Substantiation of Claims	97
53.4	Failure to Comply	98
53.5	Payment of Claims	98
	Contractor's Equipment, Temporary Works and Materials	98
54.1	Contractor's Equipment, Temporary Works and Materials; Exclusive Use for the Works.	98
54.2	Employer not Liable for Damage	98
54.3	Customs Clearance	98
54.4	Re-export of Contractor's Equipment	99
54.5	Conditions of Hire of Contractor's Equipment	99
54.6	Costs for the Purpose of Clause 63	99
54.7	Incorporation of Clause in Subcontracts	99
54.8	Approval of Materials not Implied	99
	Measurement	100
55.1	Quantities	100
56.1	Works to be Measured	100
57.1	Method of Measurement	100
57.2	Breakdown of Lump Sum Items	100

	Provisional Sums	101
58.1	Definition of “Provisional Sum”	101
58.2	Use of Provisional Sums	101
58.3	Production of Vouchers	101
	Nominated Subcontractors	101
59.1	Definition of “Nominated Subcontractors”	101
59.2	Nominated Subcontractors; Objection to Nomination	102
59.3	Design Requirements to be Expressly Stated	102
59.4	Payments to Nominated Subcontractors	102
59.5	Certification of Payments to Nominated Subcontractors	103
	Certificates and Payment	103
60.1	Monthly Statements	103
60.2	Monthly Payments	104
60.3	Payment of Retention Money	104
60.4	Correction of Certificates	105
60.5	Statement at Completion	105
60.6	Final Statement	106
60.7	Discharge	106
60.8	Final Payment Certificate	106
60.9	Cessation of Employer’s Liability	107
60.10	Time for Payment	107
61.1	Approval only by Defects Liability Certificate	107
62.1	Defects Liability Certificate	107
62.2	Unfulfilled Obligations	108
	Remedies	108
63.1	Default of Contractor	108
63.2	Valuation at Date of Termination	109
63.3	Payment after Termination	109
63.4	Assignment of Benefit of Agreement	109
64.1	Urgent Remedial Work	110
	Special Risks	110
65.1	No Liability for Special Risks	110
65.2	Special Risks	110
65.3	Damage to Works by Special Risks	110
65.4	Projectile, Missile	111
65.5	Increased Costs arising from Special Risks	111
65.6	Outbreak of War	111
65.7	Removal of Contractor’s Equipment on Termination	112
65.8	Payment if Contract Terminated	112

	Release from Performance	113
66.1	Payment in Event of Release from Performance	113
	Settlement of Disputes	113
67.1	Engineer's Decision	113
67.2	Amicable Settlement	114
67.3	Arbitration	114
67.4	Failure to Comply with Engineer's Decision	115
	Notices	115
68.1	Notice to Contractor	115
68.2	Notice to Employer and Engineer	115
68.3	Change of Address	115
	Default of Employer	115
69.1	Default of Employer	115
69.2	Removal of Contractor's Equipment	116
69.3	Payment on Termination	116
69.4	Contractor's Entitlement to Suspend Work	116
69.5	Resumption of Work	117
	Changes in Cost and Legislation	117
70.1	Increase or Decrease of Cost	117
70.2	Subsequent Legislation	117
	Currency and Rates of Exchange	117
71.1	Currency Restrictions	117
72.1	Rates of Exchange	118
72.2	Currency Proportions	118
72.3	Currencies of Payment for Provisional Sums	118
	REFERENCE TO PART II	
	INDEX	119
	TENDER (NOT USED)	
	AGREEMENT (NOT USED)	

PART I - GENERAL CONDITIONS

Definitions and Interpretation

1.1 Definitions

In the Contract (as hereinafter defined) the following words and expressions shall have the meanings hereby assigned to them, except where the context otherwise requires:

- (a) (i) "Employer" means the person named as such in Part II of these Conditions and the legal successors in title to such person, but not (except with the consent of the Contractor) any assignee of such person.
- (ii) "Contractor" means the person whose tender has been accepted by the Employer and the legal successors in title to such person, but not (except with the consent of the Employer) any assignee of such person.
- (iii) "Subcontractor" means any person named in the Contract as a Subcontractor for a part of the Works or any person to whom a part of the Works has been subcontracted with the consent of the Engineer and the legal successors in title to such person, but not any assignee of any such person.
- (iv) "Engineer" means the person appointed by the Employer to act as Engineer for the purposes of the Contract and named as such in Part II of these Conditions.
- (v) "Engineer's Representative" means a person appointed from time to time by the Engineer under Sub-Clause 2.2.
- (b) (i) "Contract" means these Conditions (Parts I and II), the Specification, the Drawings, the Bill of Quantities, the Tender, the Letter of Acceptance, the Contract Agreement (if completed) and such further documents as may be expressly incorporated in the Letter of Acceptance or Contract Agreement (if completed).
- (ii) "Specification" means the specification of the Works included in the Contract and any modification thereof or addition thereto made under Clause 51 or submitted by the Contractor and approved by the Engineer.
- (iii) "Drawings" means all drawings, calculations and technical information of a like nature provided by the Engineer to the Contractor under the Contract and all drawings, calculations, samples, patterns, models, operation and maintenance manuals and

other technical information of a like nature submitted by the Contractor and approved by the Engineer.

- (iv) "Bill of Quantities" means the priced and completed bill of quantities forming part of the Tender.
 - (v) "Tender" means the Contractor's priced offer to the Employer for the execution and completion of the Works and the remedying of any defects therein in accordance with the provisions of the Contract, as accepted by the Letter of Acceptance.
 - (vi) "Letter of Acceptance" means the formal acceptance by the Employer of the Tender.
 - (vii) "Contract Agreement" means the contract agreement (if any) referred to in Sub-Clause 9.1.
 - (viii) "Appendix to Tender" means the appendix comprised in the form of Tender annexed to these Conditions.
- (c) (i) "Commencement Date" means the date upon which the Contractor receives the notice to commence issued by the Engineer pursuant to Clause 41.
 - (ii) "Time for Completion" means the time for completing the execution of and passing the Tests on Completion of the Works or any Section or part thereof as stated in the Contract (or as extended under Clause 44) calculated from the Commencement Date.
- (d) (i) "Tests on Completion" means the tests specified in the Contract or otherwise agreed by the Engineer and the Contractor which are to be made by the Contractor before the Works of any Section or part thereof are taken over by the Employer.
 - (ii) "Taking-Over Certificate" means a certificate issued pursuant to Clause 48.
- (e) (i) "Contract Price" means the sum stated in the Letter of Acceptance as payable to the Contractor for the execution and completion of the Works and the remedying of any defects therein in accordance with the provisions of the Contract.
 - (ii) "Retention Money" means the aggregate of all monies retained by the Employer pursuant to Sub-Clause 60.2(a).
 - (iii) "Interim Payment Certificate" means any certificate of payment issued by the Engineer other than the Final Payment Certificate.

- (iv) "Final Payment Certificate" means the certificate of payment issued by the Engineer pursuant to Sub-Clause 60.8.
- (f) (i) "Works" means the Permanent Works and the Temporary Works or either of them as appropriate.
 - (ii) "Permanent Works" means the permanent works to be executed (including Plant) in accordance with the Contract
 - (iii) "Temporary Works" means all temporary works of every kind (other than Contractor's Equipment) required in or about the execution and completion of the Works and the remedying of any defects therein.
 - (iv) "Plant" means machinery, apparatus and the like intended to form or forming part of the Permanent Works.
 - (v) "Contractor's Equipment" means all appliances and things of whatsoever nature (other than Temporary Works) required for the execution and completion of the Works and the remedying of any defects therein, but does not include Plant, materials or other things intended to form or forming part of the Permanent Works.
 - (vi) "Section" means a part of the Works specifically identified in the Contract as a Section.
 - (vii) "Site" means the places provided by the Employer where the Works are to be executed and any other places as may be specifically designated in the Contract as forming part of the Site.
- (g) (i) "cost" means all expenditure properly incurred or to be incurred, whether, on or off the Site, including overhead and other charges properly allocable thereto but does not include any allowance for profit.
 - (ii) "day" means calendar day.
 - (iii) "foreign currency" means a currency of a country other than that in which the Works are to be located.
 - (iv) "writing" means any hand-written, type-written, or printed communication, including telex, cable and facsimile transmission.

1.2 **Headings and Marginal Notes**

The headings and marginal notes in these Conditions shall not be deemed part thereof or be taken into consideration in the interpretation or construction thereof or of the Contract.

1.3 **Interpretation**

Words importing persons or parties shall include firms and corporations and any

organization having legal capacity.

1.4 Singular and Plural

Words importing the singular only also include the plural and vice versa where the context requires.

1.5 Notices, Consents, Approvals, Certificates and Determinations

Wherever in the Contract provision is made for the giving or issue of any notice, consent, approval, certificate or determination by any person, unless otherwise specified such notice, consent, approval, certificate or determination shall be in writing and the words "notify", "certify" or "determine" shall be construed accordingly. Any such consent, approval, certificate or determination shall not unreasonably be withheld or delayed.

Engineer and Engineer's Representative

2.1 Engineer's Duties and Authority

- (a) The Engineer shall carry out the duties specified in the Contract.
- (b) The Engineer may exercise the authority specified in or necessarily to be implied from the Contract, provided, however, that if the Engineer is required, under the terms of his appointment by the Employer, to obtain the specific approval of the Employer before exercising any such authority, particulars of such requirements shall be set out in Part II of these Conditions. Provided further that any requisite approval shall be deemed to have been given by the Employer for any such authority exercised by the Engineer.
- (c) Except as expressly stated in the Contract, the Engineer shall have no authority to relieve the Contractor of any of his obligations under the Contract.

2.2 Engineer's Representative

The Engineer's Representative shall be appointed by and be responsible to the Engineer and shall carry out such duties and exercise such authority as may be delegated to him by the Engineer under Sub-Clause 2.3.

2.3 Engineer's Authority to Delegate

The Engineer may from time-to-time delegate to the Engineer's Representative any of the duties and authorities vested in the Engineer and he may at any time revoke such delegation. Any such delegation or revocation shall be in writing and shall not take effect until a copy thereof has been delivered to the Employer and the Contractor.

Any communication given by the Engineer's Representative to the Contractor in accordance with such delegation shall have the same effect as though it had been given by the Engineer. Provided that:

- (a) any failure of the Engineer's Representative to disapprove any work, materials or Plant shall not prejudice the authority of the Engineer to disapprove such work, materials or Plant and to give instructions for the rectification thereof; and
- (b) if the Contractor questions any communication of the Engineer's Representative, he may refer the matter to the Engineer who shall confirm, reverse or vary the contents of such communication.

2.4 Appointment of Assistants

The Engineer or the Engineer's Representative may appoint any number of persons to assist the Engineer's Representative in the carrying out of his duties under Sub-Clause 2.2. He shall notify to the Contractor the names, duties and scope of authority of such persons. Such assistants shall have no authority to issue any instructions to the Contractor save in so far as such instructions may be necessary to enable them to carry out their duties and to secure their acceptance of materials, Plant or workmanship as being in accordance with the Contract, and any instructions given by any of them for those purposes shall be deemed to have been given by the Engineer's Representative.

2.5 Instructions in Writing

Instructions given by the Engineer shall be in writing, provided that if for any reason the Engineer considers it necessary to give any such instruction orally, the Contractor shall comply with such instruction. Confirmation in writing of such oral instruction given by the Engineer, whether before or after the carrying out of the instruction, shall be deemed to be an instruction within the meaning of this Sub-Clause. Provided further that if the Contractor, within 7 days, confirms in writing to the Engineer any oral instruction of the Engineer and such confirmation is not contradicted in writing within 7 days by the Engineer, it shall be deemed to be an instructions of the Engineer.

The provisions of this Sub-Clause shall equally apply to instructions given by the Engineer's Representative and any assistants of the Engineer or the Engineer's Representative appointed pursuant to Sub-Clause 2.4.

2.6 Engineer to Act Impartially

Wherever, under the Contract, the Engineer is required to exercise his discretion by:

- (a) giving his decision, opinion or consent,
- (b) expressing his satisfaction or approval,
- (c) determining value, or

- (d) otherwise taking action which may affect the rights and obligations of the Employer or the Contractor

he shall exercise such discretion impartially within the terms of the Contract and having regard to all the circumstances. Any such decision, opinion, consent expression of satisfaction, or approval, determination of value or action may be opened up, reviewed or revised as provided in Clause 67.

Assignment and Subcontracting

3.1 Assignment of Contract

The Contractor shall not, without the prior consent of the Employer (which consent, notwithstanding the provisions of Sub-Clause 1.5, shall be at the sole discretion of the Employer), assign the Contract or any part thereof, or any benefit or interest therein or thereunder, otherwise than by:

- (a) a charge in favour of the Contractor's bankers of any monies due or to become due under the Contract, or
- (b) assignment to the Contractor's insurers (in cases where the insurers have discharged the Contractor's loss or liability) of the Contractor's right to obtain relief against any other party liable.

4.1 Subcontracting

The Contractor shall not subcontract the whole of the Works. Except where otherwise provided by the Contract, the Contractor shall not subcontract any part of the Works without the prior consent of the Engineer. Any such consent shall not relieve the Contractor from any liability or obligation under the Contract and he shall be responsible for the acts, defaults and neglects of any Subcontractor, his agents, servants or workmen as fully as if they were the acts, defaults or neglects of the Contractor, his agents' servants or workmen.

Provided that the Contractor shall not be required to obtain such consent for:

- (a) the provision of labour,
- (b) the purchase of materials which are in accordance with the standards specified in the Contract,
- (c) the subcontracting of any part of the Works for which the Subcontractor is named in the Contract.

4.2 Assignment of Subcontractors' Obligations

In the event of a Subcontractor having undertaken towards the Contractor in respect of the work executed, or the goods, materials, Plant or services supplied by such Subcontractor, any continuing obligation extending for a period

exceeding that of the Defects Liability Period under the Contract, the Contractor shall at any time, after the expiration of such Period, assign to the Employer, at the Employer's request and cost, the benefit of such obligation for the unexpired duration thereof.

Contract Documents

5.1 Language/s and Law

There is stated in Part II of these Conditions:

- (a) the language or languages in which the Contract documents shall be drawn up, and
- (b) the country or state the law of which shall apply to the Contract and according to which the Contract shall be construed.

If the said documents are written in more than one language, the language according to which the Contract shall be construed and interpreted is also stated in Part II of these Conditions, being therein designated the "Ruling Language".

5.2 Priority of Contract Documents

The several documents forming the Contract are to be taken as mutually explanatory of one another, but in case of ambiguities or discrepancies the same shall be explained and adjusted by the Engineer who shall thereupon issue to the Contractor instructions thereon and in such event, unless otherwise provided in the Contract, the priority of the documents forming the Contract shall be as follows:

- (1) The Contract Agreement (if completed).
- (2) The Letter of Acceptance.
- (3) The Tender.
- (4) Part II of these Conditions.
- (5) Part I of these Conditions; and
- (6) Any other document forming part of the Contract.

6.1 Custody and Supply of Drawings and Documents

The Drawings shall remain in the sole custody of the Engineer, but two copies thereof shall be provided to the Contractor free of charge. The Contractor shall make at his own cost any further copies required by him. Unless it is strictly necessary for the purposes of the Contract, the Drawings, Specification and other documents provided by the Employer or the Engineer shall not, without the consent of the Engineer, be used or communicated to a third party by the Contractor. Upon issue of the Defects Liability Certificate, the Contractor shall

return to the Engineer all Drawings, Specification and other documents provided under the Contract.

The Contractor shall supply to the Engineer four copies of all Drawings, specification and other documents submitted by the Contractor and approved by the Engineer in accordance with Clause 7, together with a reproducible copy of any material which cannot be reproduced to an equal standard by photocopying. In addition, the Contractor shall supply such further copies of such Drawings, Specification and other documents as the Engineer may request in writing for the use of the Employer, who shall pay the cost thereof.

6.2 One Copy of Drawings to be Kept on Site

One copy of the Drawings, provided to or supplied by the Contractor as aforesaid, shall be kept by the Contractor on the Site and the same shall at all reasonable times be available for inspection and use by the Engineer and by any other person authorised by the Engineer in writing.

6.3 Disruption of Progress

The Contractor shall give notice to the Engineer, with a copy to the Employer, whenever planning or execution of the Works is likely to be delayed or disrupted unless any further drawing or instruction is issued by the Engineer within a reasonable time. The notice shall include details of the drawing or instruction required and of why and by when it is required and of any delay or disruption likely to be suffered if it is late.

6.4 Delay and Cost of Delay of Drawings

If, by reason of any failure or inability of the Engineer to issue, within a time reasonable in all the circumstances, any drawing or instruction for which notice has been given by the Contractor in accordance with Sub-Clause 6.3, the Contractor suffers delay and/or incurs costs then the Engineer shall, after due consultation with the Employer and the Contractor, determine:

- (a) any extension of time to which the Contractor is entitled under Clause 44, and
- (b) the amount of such costs, which shall be added to the Contract Price, and shall notify the Contractor accordingly, with a copy to the Employer.

6.5 Failure by Contractor to Submit Drawings

If the failure or inability of the Engineer to issue any drawings or instructions is caused in whole or in part by the failure of the Contractor to submit Drawings, Specification or other documents which he is required to submit under the Contract, the Engineer shall take such failure by the Contractor into account when making his determination pursuant to Sub-Clause 6.4.

7.1 Supplementary Drawings and Instructions

The Engineer shall have authority to issue to the Contractor, from time to time, such supplementary Drawings and instructions as shall be necessary for the purpose of the proper and adequate execution and completion of the Works and the remedying of any defects therein. The Contractor shall carry out and be bound by the same.

7.2 Permanent Works Designed by Contractor

Where the Contract expressly provides that part of the Permanent Works shall be designed by the Contractor, he shall submit to the Engineer, for approval:

- (a) such drawings, specifications, calculations and other information as shall be necessary to satisfy the Engineer as to the suitability and adequacy of that design, and
- (b) operation and maintenance manuals together with drawings of the Permanent Works as completed, in sufficient detail to enable the Employer to operate, maintain, dismantle, reassemble and adjust the Permanent Works incorporating that design. The Works shall not be considered to be completed for the purposes of taking over in accordance with Clause 48 until such operation and maintenance manuals together with drawings on completion have been submitted to and approved by the Engineer.

7.3 Responsibility Unaffected by Approval

Approval by the Engineer, in accordance with Sub-Clause 7.2, shall not relieve the Contractor of any of his responsibilities under the Contract.

General Obligations

8.1 Contractor's General Responsibilities

The Contractor shall, with due care and diligence, design (to the extent provided for by the Contract), execute and complete the Works and remedy any defects therein in accordance with the provisions of the Contract. The Contractor shall provide all superintendance, labour, material, Plant, Contractor's Equipment and all other things, whether of a temporary or permanent nature, required in and for such design, execution, completion and remedying of any defects, so far as the necessity for providing the same is specified in or is reasonably to be inferred from the Contract.

8.2 Site Operations and Methods of Construction

The Contractor shall take full responsibility for the adequacy, stability and safety of all Site operations and methods of construction. Provided that the

Contractor shall not be responsible (except as stated hereunder or as may be otherwise agreed) for the design or specification of Permanent Works, or for the design or specification of any Temporary Works not prepared by the Contractor. Where the Contract expressly provides that part of the Permanent Works shall be designed by the Contractor, he shall be fully responsible for that part of such Works, notwithstanding any approval by the Engineer.

9.1 **Contract Agreement**

The Contractor shall, if called upon so to do, enter into and execute the Contract Agreement, to be prepared and completed at the cost of the Employer, in the form annexed to these Conditions with such modification as may be necessary.

10.1 **Performance Security**

If the Contract requires the Contractor to obtain security for his proper performance of the Contract, he shall obtain and provide to the Employer, such security within 28 days after the receipt of the Letter of Acceptance, in the sum stated in the Appendix to Tender. When providing such security to the Employer, the Contractor shall notify the Engineer of so doing. Such security shall be in the form annexed to these Conditions or in such other form as may be agreed between the Employer and the Contractor. The institution providing such security shall be subject to the approval of the Employer. The cost of complying with the requirements of this Clause shall be borne by the Contractor, unless the Contract otherwise provides.

10.2 **Period of Validity of Performance Security**

The performance security shall be valid until the Contractor has executed and completed the Works and remedied any defects therein in accordance with the Contract. No claim shall be made against such security after the issue of the Defects Liability Certificate in accordance with Sub-Clause 62.1 and such security shall be returned to the Contractor within 14 days of the issue of the said Defects Liability Certificate.

10.3 **Claims under Performance Security**

Prior to making a claim under the performance security the Employer shall, in every case, notify the Contractor stating the nature of the default in respect of which the claim is to be made.

11.1 **Inspection of Site**

The Employer shall have made available to the Contractor, before the submission by the Contractor of the Tender, such data on hydrological and sub- surface conditions as have been obtained by or on behalf of the Employer from investigations undertaken relevant to the Works but the Contractor shall be responsible for his own interpretation thereof.

The Contractor shall be deemed to have inspected and examined the Site and its surroundings and information available in connection therewith and to have satisfied himself (so far as is practicable, having regard to considerations of cost and time) before submitting his Tender, as to:

- (a) the form and nature thereof, including the sub-surface conditions,
- (b) the hydrological and climatic conditions,
- (c) the extent and nature of work and materials necessary for the execution and completion of the Works and the remedying of any defects therein, and
- (d) the means of access to the Site and the accommodation he may require, and, in general, shall be deemed to have obtained all necessary information, subject as above mentioned, as to risks, contingencies and all other circumstances which may influence or affect his Tender.

The Contractor shall be deemed to have based his Tender on the data made available by the Employer and on his own inspection and examination, all as aforementioned.

12.1 **Sufficiency of Tender**

The Contractor shall be deemed to have satisfied himself as to the correctness and sufficiency of the Tender and of the rates and prices stated in the Bill of Quantities, all of which shall, except insofar as it is otherwise provided in the Contract, cover all his obligations under the Contract (including those in respect of the supply of goods, materials, Plant or services or of contingencies for which there is a Provisional Sum) and all matters and things necessary for the proper execution and completion of the Works and the remedying of any defects therein.

12.2 **Not Foreseeable Physical Obstructions or Conditions**

If, however, during the execution of the Works the Contractor encounters physical obstructions or physical conditions, other than climatic conditions on the Site, which obstructions or conditions were, in his opinion, not foreseeable by an experienced contractor, the Contractor shall forthwith give notice thereof to the Engineer, with a copy to the Employer. On receipt of such notice, the Engineer shall if in his opinion such obstructions or conditions could not have been reasonably foreseen by an experienced contractor, after due consultation with the Employer and the Contractor, determine:

- (a) any extension of time to which the Contractor is entitled under Clause 44, and

- (b) the amount of any costs which may have been incurred by the Contractor by reason of such obstructions or conditions having been encountered, which shall be added to the Contract Price,

and shall notify the Contractor accordingly, with a copy to the Employer. Such determination shall take account of any instruction which the Engineer may issue to the Contractor in connection therewith, and any proper and reasonable measures acceptable to the Engineer which the Contractor may take in the absence of specific instructions from the Engineer.

13.1 **Work to be in Accordance with Contract**

Unless it is legally or physically impossible, the Contractor shall execute and complete the Works and remedy any defects therein in strict accordance with the Contract to the satisfaction of the Engineer. The Contractor shall comply with and adhere strictly to the Engineer's instructions on any matter, whether mentioned in the Contract or not, touching or concerning the Works. The Contractor shall take instructions only from the Engineer (or his delegate).

14.1 **Program to be Submitted**

The Contractor shall, within the time stated in Part II of these Conditions after the date of the Letter of Acceptance, submit to the Engineer for his consent a Program, in such form and detail as the Engineer shall reasonably prescribe, for the execution of the Works. The Contractor shall, whenever required by the Engineer, also provide in writing for his information a general description of the arrangements and methods which the Contractor proposes to adopt for the execution of the Works.

14.2 **Revised Program**

If at any time it should appear to the Engineer that the actual progress of the Works does not conform to the Program to which consent has been given under Sub-Clause 14.1, the Contractor shall produce, at the request of the Engineer, a revised Program showing the modifications to such Program necessary to ensure completion of the Works within the Time for Completion.

14.3 **Cash Flow Estimate to be Submitted**

The Contractor shall, within the time stated in Part II of these Conditions after the date of the Letter of Acceptance, provide to the Engineer for his information a detailed cash flow estimate, in quarterly periods, of all payments to which the Contractor will be entitled under the Contract and the Contractor shall subsequently supply revised cash flow estimates at quarterly intervals, if required to do so by the Engineer.

14.4 Contractor not Relieved of Duties or Responsibilities

The submission to and consent by the Engineer of such Programs or the provision of such general descriptions or cash flow estimates shall not relieve the Contractor of any of his duties or responsibilities under the Contract.

15.1 Contractor's Superintendence

The Contractor shall provide all necessary superintendence during the execution of the Works and as long thereafter as the Engineer may consider necessary for the proper fulfilling of the Contractor's obligations under the Contract. The Contractor, or a competent and authorised representative approved of by the Engineer, which approval may at any time be withdrawn, shall give his whole time to the superintendence of the Works. Such authorised representative shall receive, on behalf of the Contractor, instructions from the Engineer.

If approval of the representative is withdrawn by the Engineer, the Contractor shall, as soon as is practicable, having regard to the requirement of replacing him as hereinafter mentioned, after receiving notice of such withdrawal, remove the representative from the Works and shall not thereafter employ him again on the Works in any capacity and shall replace him by another representative approved by the Engineer.

16.1 Contractor's Employees

The Contractor shall provide on the Site in connection with the execution and completion of the Works and the remedying of any defects therein:

- (a) only such technical assistants as are skilled and experienced in their respective callings and such foremen and leading hands as are competent to give proper superintendence of the Works, and
- (b) such skilled, semi-skilled and unskilled labour as is necessary for the proper and timely fulfilling of the Contractor's obligations under the Contract.

16.2 Engineer at Liberty to Object

The Engineer shall be at liberty to object to and require the Contractor to remove forthwith from the Works any person provided by the Contractor who, in the opinion of the Engineer, misconducts himself, or is incompetent or negligent in the proper performance of his duties, or whose presence on Site is otherwise considered by the Engineer to be undesirable, and such person shall not be again allowed upon the Works without the consent of the Engineer. Any person so removed from the Works shall be replaced as soon as possible.

17.1 **Setting-out**

The Contractor shall be responsible for:

- (a) the accurate setting-out of the Works in relation to original points, lines and levels of reference given by the Engineer in writing,
- (b) the correctness, subject as above mentioned of the position, levels dimensions and alignment of all parts of the Works, and
- (c) the provision of all necessary instruments, appliances and labour in connection with the foregoing responsibilities.

If, at any time during the execution of the Works, any error appears in the position, levels, dimensions or alignment of any part of the Works, the Contractor, on being required so to do by the Engineer, shall, at his own cost, rectify such error to the satisfaction of the Engineer, unless such error is based on incorrect data supplied in writing by the Engineer, in which case the Engineer shall determine an addition to the Contract Price in accordance with Clause 52 and shall notify the Contractor accordingly, with a copy to the Employer.

The checking of any setting-out or of any line or level by the Engineer shall not in any way relieve the Contractor of his responsibility for the accuracy thereof and the Contractor shall carefully protect and preserve all benchmarks, sight-rails, pegs and other things used in setting-out the Works.

18.1 **Boreholes and Exploratory Excavation**

If, at any time during the execution of the Works, the Engineer requires the Contractor to make boreholes or to carry out exploratory excavation, such requirement shall be the subject of an instruction in accordance with Clause 51, unless an item or a Provisional Sum in respect of such work is included in the Bill of Quantities.

19.1 **Safety, Security and Protection of the Environment**

The Contractor shall, throughout the execution and completion of the Works and the remedying of any defects therein:

- (a) have full regard for the safety of all persons entitled to be upon the Site and keep the Site (so far as the same is under his control) and the Works (so far as the same are not completed or occupied by the Employer) in an orderly state appropriate to the avoidance of danger to such persons,
- (b) provide and maintain at his own cost all lights, guards, fencing, warning signs and watching, when and where necessary or required by the Engineer or by any duly constituted authority, for the protection of the Works or for

the safety and convenience of the public or others, and

- (c) take all reasonable steps to protect the environment on and off the Site and to avoid damage or nuisance to persons or to property of the public or others resulting from pollution, noise or other causes arising as a consequence of his methods of operation.

19.2 **Employer's Responsibilities**

If under Clause 31 the Employer shall carry out work on the Site with his own workmen he shall, in respect of such work:

- (a) have full regard to the safety of all persons entitled to be upon the Site, and
- (b) keep the Site in an orderly state appropriate to the avoidance of danger to such persons.

If under Clause 31 the Employer shall employ other contractors on the Site, he shall require them to have the same regard for safety and avoidance of danger.

20.1 **Care of Works**

The Contractor shall take full responsibility for the care of the Works and materials and Plant for incorporation therein from the Commencement Date until the date of issue of the Taking-Over Certificate for the whole of the Works, when the responsibility for the said care shall pass to the Employer. Provided that:

- (a) if the Engineer issues a Taking-Over Certificate for any Section or part of the Permanent Works the Contractor shall cease to be liable for the care of that Section or part from the date of issue of the Taking-Over Certificate, when the responsibility for the care of that Section or part shall pass to the Employer, and
- (b) the Contractor shall take full responsibility for the care of any outstanding Works and materials and Plant for incorporation therein which he undertakes to finish during the Defects Liability Period until such outstanding Works have been completed pursuant to Clause 49.

20.2 **Responsibility to Rectify Loss or Damage**

If any loss or damage happens to the Works, or any part thereof, or materials or Plant for incorporation therein, during the period for which the Contractor is responsible for the care thereof, from any cause whatsoever, other than the risks defined in Sub-Clause 20.4, the Contractor shall, at his own cost, rectify such loss or damage so that the Permanent Works conform in every respect with the provisions of the Contract to the satisfaction of the Engineer. The Contractor shall also be liable for any loss or damage to the Works occasioned by him in

the course of any operations carried out by him for the purpose of complying with his obligations under Clauses 49 and 50.

20.3 **Loss or Damage Due to Employer's Risks**

In the event of any such loss or damage happening from any of the risks defined in Sub-Clause 20.4, or in combination with other risks, the Contractor shall, if and to the extent required by the Engineer, rectify the loss or damage and the Engineer shall determine an addition to the Contract Price in accordance with Clause 52 and shall notify the Contractor accordingly, with a copy to the Employer. In the case of a combination or risks causing loss or damage any such determination shall take into account the proportional responsibility of the Contractor and the Employer.

20.4 **Employer's Risks**

The Employer's risks are:

- (a) war, hostilities (whether war be declared or not), invasion, act of foreign enemies,
- (b) rebellion, revolution, insurrection, or military or usurped power, or civil war,
- (c) ionising radiations, or contamination by radioactivity from any nuclear fuel, or from any nuclear waste from the combustion of nuclear fuel, radio-active toxic explosive, or other hazardous properties of any explosive nuclear assembly or nuclear component thereof,
- (d) pressure waves caused by aircraft or other aerial devices travelling at sonic or supersonic speeds,
- (e) riot, commotion or disorder, unless solely restricted to employees of the Contractor or of his Subcontractor and arising from the conduct of the Works,
- (f) loss or damage due to the use or occupation by the Employer of any Section or part of the Permanent Works, except as may be provided for in the Contract,
- (g) loss or damage to the extent that it is due to the design of the Works, other than any part of the design provided by the Contractor or for which the Contractor is responsible, and
- (h) any operation of the forces of nature against which an experienced contractor could not reasonably have been expected to take precautions.

21.1 **Insurance of Works and Contractor's Equipment**

The Contractor shall, without limiting his or the Employer's obligations and responsibilities under Clause 20, insure:

- (a) the Works, together with materials and Plant for incorporation therein, to the full replacement cost (the term "cost" in this context shall include profit),
- (b) an additional sum of 15 per cent of such replacement cost, or as may be specified in Part II of these Conditions, to cover any additional costs of and incidental to the rectification of loss or damage including professional fees and the cost of demolishing and removing any part of the Works and of removing debris of whatsoever nature, and
- (c) the Contractor's Equipment and other things brought onto the Site by the Contractor, for a sum sufficient to provide for their replacement at the Site.

21.2 **Scope of Cover**

The insurance in paragraphs (a) and (b) of Sub-Clause 21.1 shall be in the joint names of the Contractor and the Employer and shall cover:

- (a) the Employer and the Contractor against all loss or damage from whatsoever cause arising, other than as provided in Sub-Clause 21.4, from the start of work at the Site until the date of issue of the relevant Taking- Over Certificate in respect of the Works or any Section or part thereof as the case may be, and
- (b) the Contractor for his liability:
 - (i) during the Defects Liability Period for loss or damage arising from a cause occurring prior to the commencement of the Defects Liability Periods, and
 - (ii) for loss or damage occasioned by the Contractor in the course of any operations carried out by him for the purpose of complying with his obligations under Clauses 49 and 50.

21.3 **Responsibility for Amounts not Recovered**

Any amounts not insured or not recovered from the insurers shall be borne by the Employer or the Contractor in accordance with their responsibilities under Clause 20.

21.4 **Exclusions**

There shall be no obligation for the insurances in Sub-Clause 21.1 to include loss or damage caused by:

- (a) war, hostilities (where war be declared or not), invasion, act of foreign enemies,
- (b) rebellion, revolution, insurrection, or military or usurped power, or civil war,
- (c) ionising, radiations, or contamination by radioactivity from any nuclear fuel, or from any nuclear waste from the combustion of nuclear fuel, radio- active toxic explosive or other hazardous properties of any explosive nuclear assembly or nuclear component thereof, or
- (d) pressure waves caused by aircraft or other aerial devices travelling at sonic or supersonic speeds.

22.1 **Damage to Persons and Property**

The Contractor shall, except if and so far as the Contract provides otherwise, indemnify the Employer against all losses and claims in respect of:

- (a) death of or injury to any person, or
- (b) loss of or damage to any property (other than the Works),

which may arise out of or in consequence of the execution and completion of the Works and the remedying of any defects therein, and against all claims, proceedings, damages, costs, charges and expenses whatsoever in respect thereof or in relation thereto, subject to the exceptions defined in Sub-Clause 22.2.

22.2 **Exceptions**

The "exceptions" referred to in Sub-Clause 22.1 are:

- (a) the permanent use or occupation of land by the Works, or any part thereof,
- (b) the right of the Employer to execute the Works, or any part thereof, on, over, under, is or through any land,
- (c) damage to property which is the unavoidable result of the execution and completion of the Works, or the remedying of any defects therein, in accordance with the Contract, and
- (d) death of or injury to persons or loss of or damage to property resulting from any act or neglect of the Employer, his agents servants or other contractors,

not being employed by the Contractor, or in respect of any claims, proceedings, damages, costs, charges and expenses in respect thereof or in relation thereto or, where the injury or damage was contributed to by the Contractor, his servants or agents, such part of the said injury or damage as may be just and equitable having regard to the extent of the responsibility of the Employer, his servants or agents or other contractors for the injury or damage.

22.3 Indemnity by Employer

The Employer shall indemnify the Contractor against all claims, proceedings, damages, costs, charges and expenses in respect of the matters referred to in the exceptions defined in Sub-Clause 22.2

23.1 Third Party Insurance (including Employer's Property)

The Contractor shall, without limiting his or the Employer's obligation and responsibilities under Clause 22, insure, in the joint names of the Contractor and the Employer, against liabilities for death of or injury to any person (other than as provided in Clause 24) or loss of or damage to any property (other than the Works) arising out of the performance of the Contract, other than the exceptions defined in paragraphs (a), (b) and (c) of Sub-Clause 22.2.

23.2 Minimum Amount of Insurance

Such insurance shall be for at least the amount stated in the Appendix to Tender.

23.3 Cross Liabilities

The insurance policy shall include a cross liability clause such that the insurance shall apply to the Contractor and to the Employer as separate insureds.

24.1 Accident or Injury to Workmen

The Employer shall not be liable for or in respect of any damages or compensation payable to any workman or other person in the employment of the Contractor or any Subcontractor, other than death or injury resulting from any act or default of the Employer, his agents or servants. The Contractor shall indemnify and keep indemnified the Employer against all such damages and compensation, other than those for which the Employer is liable as aforesaid, and against all claims, proceedings, damages, costs, charges, and expenses whatsoever in respect thereof or in relation thereto.

24.2 Insurance Against Accident to Workmen

The Contractor shall insure against such liability and shall continue such

insurance during the whole of the time that any persons are employed by him on the Works. Provided that, in respect of any persons employed by any Subcontractor, the Contractor's obligations to insure as aforesaid under the Sub-Clause shall be satisfied if the Subcontractor shall have insured against the liability in respect of such persons in such manner that the Employer is indemnified under the policy, but the Contractor shall require such Subcontractor to produce to the Employer, when required, such policy of insurance and the receipt for the payment of the current premium.

25.1 Evidence and Terms of Insurances

The Contractor shall provide evidence to the Employer prior to the start of work at the Site that the insurances required under the Contract have been effected and shall, within 84 days of the Commencement Date, provide the insurance policies to the Employer. When providing such evidence and such policies to the Employer, the Contractor shall notify the Engineer of so doing. Such insurance policies shall be consistent with the general terms agreed prior to the issue of the Letter of Acceptance. The Contractor shall effect all insurances for which he is responsible with insurers and in terms approved by the Employer.

25.2 Adequacy of Insurances

The Contractor shall notify the insurers of changes in the nature, extent or Program for the execution of the Works and ensure the adequacy of the insurances at all times in accordance with the terms of the Contract and shall, when required, produce to the Employer the insurance policies in force and the receipts for payment of the current premiums.

25.3 Remedy on Contractor's Failure to Insure

If the Contractor fails to effect and keep in force any of the insurances required under the Contract, or fails to provide the policies to the Employer within the period required by Sub-Clause 25.1, then and in any such case the Employer may effect and keep in force any such insurances and pay any premium as may be necessary for that purpose and from time to time deduct the amount so paid from any monies due or to become due to the Contractor, or recover the same as a debt due from the Contractor.

25.4 Compliance with Policy Conditions

In the event that the Contractor or the Employer fails to comply with conditions imposed by the insurance policies effected pursuant to the Contract, each shall indemnify the other against all losses and claims arising from such failure.

26.1 Compliance with Statutes, Regulations

The Contractor shall conform in all respects, including by the giving of all notices and the paying of all fees, with the provisions of:

- (a) any National or State Statute, Ordinance, or other Law, or any regulation, or byelaw of any local or other duly constituted authority in relation to the execution and completion of the Works and the remedying of any defects therein, and
- (b) the rules and regulations of all public bodies and companies whose property or rights are affected or may be affected in any way by the Works,

and the Contractor shall keep the Employer indemnified against all penalties and liability of every kind for breach of any such provisions. Provided always that the Employer shall be responsible for obtaining any planning, zoning or other similar permission required for the Works to proceed and shall indemnify the Contractor in accordance with Sub-Clause 22.3.

27.1 **Fossils**

All fossils, coins, articles of value or antiquity and structures and other remains or things of geological or archaeological interest discovered on the Site shall, as between the Employer and the Contractor, be deemed to be the absolute property of the Employer. The Contractor shall take reasonable precautions to prevent his workmen or any other persons from removing or damaging any such article or thing and shall, immediately upon discovery thereof and before removal, acquaint the Engineer of such discovery and carry out the Engineer's instructions for dealing with the same. If, by reason of such instructions, the Contractor suffers delay and/or incurs costs then the Engineer shall, after due consultation with the Employer and the Contractor, determine:

- (a) any extension of time to which the Contractor is entitled under Clause 44, and
- (b) the amount of such costs, which shall be added to the Contract Price, and shall notify the Contractor accordingly, with a copy to the Employer.

28.1 **Patent Rights**

The Contractor shall save harmless and indemnify the Employer from and against all claims and proceedings for or on account of infringement of any patent rights, design trademark or name or other protected rights in respect of any Contractor's Equipment, materials or Plant used for or in connection with or for incorporation in the Works and from and against all damages, costs, charges and expenses whatsoever in respect thereof or in relation thereto, except where such infringement results from compliance with the design or Specification provided by the Engineer.

28.2 **Royalties**

Except where otherwise stated, the Contractor shall pay all tonnage and other

royalties, rent and other payments or compensation, if any, for getting stone, sand, gravel, clay or other materials required for the Works.

29.1 **Interference with Traffic and Adjoining Properties**

All operations necessary for the execution and completion of the Works and the remedying of any defects therein shall, so far as compliance with the requirements of the Contract permits, be carried on so as not to interfere unnecessarily or improperly with:

- (a) the convenience of the public, or
- (b) the access to, use and occupation of public or private roads and footpaths to or of properties whether in the possession of the Employer or of any other person.

The Contractor shall save harmless and indemnify the Employer in respect of all claims, proceedings, damages, costs, charges and expenses whatsoever arising out of, or in relation to, any such matters insofar as the Contractor is responsible, therefore.

30.1 **Avoidance of Damage to Roads**

The Contractor shall use every reasonable means to prevent any of the roads or bridges communicating with or on the routes to the Site from being damaged or injured by any traffic of the Contractor or any of his Subcontractors and, in particular, shall select routes, choose and use vehicles and restrict and distribute loads so that any such extraordinary traffic as will inevitably arise from the moving of materials, Plant, Contractor's Equipment or Temporary Works from and to the Site shall be limited, as far as reasonably possible, and so that no unnecessary damage or injury may be occasioned to such roads and bridges.

30.2 **Transport of Contractor's Equipment or Temporary Works**

Save insofar as the Contract otherwise provides, the Contractor shall be responsible for and shall pay the cost of strengthening any bridges or altering or improving any road communicating with or on the routes to the Site to facilitate the movement of Contractor's Equipment or Temporary Works and the Contractor shall indemnify and keep indemnified the Employer against all claims for damage to any such road or bridge caused by such movement, including such claims as may be made directly against the Employer, and shall negotiate and pay all claims arising solely out of such damage.

30.3 **Transport of Materials or Plant**

If, notwithstanding Sub-Clause 30.1, any damage occurs to any bridge or road communicating with or on the routes to the Site arising from the transport of materials or Plant, the Contractor shall notify the Engineer with a copy to the

Employer, as soon as he becomes aware of such damage or as soon as he receives any claim from the authority entitled to make such claim. Where under any law or regulation the haulier of such materials or Plant is required to indemnify the road authority against damage the Employer shall not be liable for any costs, charges or expenses in respect thereof or in relation thereto. In other cases, the Employer shall negotiate the settlement of and pay all sums due in respect of such claim and shall indemnify the Contractor in respect thereof and in respect of all claims, proceedings damages, costs, charges and expenses in relation thereto. Provided that if and so far as any such claim or part thereof is, in the opinion of the Engineer, due to any failure on the part of the Contractor to observe and perform his obligations under Sub-Clause 30.1, then the amount determined by the Engineer, after due consultation with the Employer and the Contractor, to be due to such failure shall be recoverable from the Contractor by the Employer and may be deducted by the Employer from any monies due or to become due to the Contractor and the Engineer shall notify the Contractor accordingly, with a copy to the Employer. Provided also that the Employer shall notify the Contractor whenever a settlement is to be negotiated and, where any amount may be due from the Contractor, the Employer shall consult with the Contractor before such settlement is agreed.

30.4 **Waterborne Traffic**

Where the nature of the Works is such as to require the use by the Contractor of waterborne transport the foregoing provisions of this Clause shall be construed as though "road" included a lock, dock, sea wall or other structure related to a waterway and "vehicle" included craft and shall have effect accordingly.

31.1 **Opportunities for Other Contractors**

The Contractor shall, in accordance with the requirements of the Engineer, afford all reasonable opportunities for carrying out their work to:

- (a) any other contractors employed by the Employer and their workmen,
- (b) the workmen of the Employer, and
- (c) the workmen of any duly constituted authorities who may be employed in the execution on or near the Site of any work not included in the Contract or of any contract which the Employer may enter into in connection with or ancillary to the Works.

31.2 **Facilities for Other Contractors**

If, however, pursuant to Sub-Clause 31.1 the Contractor shall, on the written request of the Engineer:

- (a) make available to any other contractor, or to the Employer or any such authority, any roads or ways for the maintenance of which the Contractor is responsible,

(b) permit the use, by any such, of Temporary Works or Contractor's Equipment on the Site, or

(c) provide any other service of whatsoever nature for any such,

the Engineer shall determine an addition to the Contract Price in accordance with Clause 52 and shall notify the Contractor accordingly, with a copy to the Employer.

32.1 Contractor to Keep Site Clear

During the execution of the Works the Contractor shall keep the Site reasonably free from all unnecessary obstruction and shall store or dispose of any Contractor's Equipment and surplus materials and clear away and remove from the Site any wreckage, rubbish or Temporary Works no longer required.

33.1 Clearance of Site on Completion

Upon the issue of any Taking-Over Certificate the Contractor shall clear away and remove from that part of the Site to which such Taking-Over Certificate relates all Contractor's Equipment, surplus materials, rubbish and Temporary Works of every kind, and leave such part of the Site and Works clean and in a workmanlike condition to the satisfaction of the Engineer. Provided that the Contractor shall be entitled to retain on Site, until the end of the Defects Liability Period, such materials, Contractor's Equipment and Temporary Works as are required by him for the purpose of fulfilling his obligations during the Defects Liability Period.

Labour

34.1 Engagement of Staffs and Labour

The Contractor shall, unless otherwise provided in the Contract, make his own arrangements for the engagement of all staff and labour, local or other, and for their payment, housing, feeding and transport.

35.1 Returns of Labour and Contractor's Equipment

The Contractor shall, if required by the Engineer, deliver to the Engineer a return in detail, in such form and at such intervals as the Engineer may prescribe, showing the staff and the numbers of the several classes of labour from time to time employed by the Contractor on the Site and such information respecting Contractor's Equipment as the Engineer may require.

Materials, Plant and Workmanship

36.1 Quality of Materials, Plant and Workmanship

All materials, Plant and workmanship shall be:

(a) of the respective kinds described in the Contract and in accordance with the Engineer's instructions, and

(b) subjected from time to time to such tests as the Engineer may require at the place of manufacture, fabrication or preparation, or on the Site or at such other place or places as may be specified in the Contract, or at all or any of such places.

The Contractor shall provide such assistance, labour, electricity, fuels, stores, apparatus and instruments as are normally required for examining, measuring and testing any materials or Plant and shall supply samples of materials, before incorporation in the Works, for testing as may be selected and required by the Engineer.

36.2 Cost of Samples

All samples shall be supplied by the Contractor at his own cost if the supply thereof is clearly intended by or provided for in the Contract.

36.3 Cost of Tests

The cost of making any test shall be borne by the Contractor if such test is:

(a) clearly intended by or provided for in the Contract, or

(b) particularised in the Contract (in cases only for a test under load or of a test to ascertain whether the design of any finished or partially finished work is appropriate for the purposes which it was intended to fulfil) in sufficient detail to enable the Contractor to price or allow for the same in his Tender.

36.4 Cost of Tests not provided for

If any test required by the Engineer which is:

(a) not intended by or provided for,

(b) (in the cases above mentioned) not so particularised, or

(c) (through so intended or provided for) required by the Engineer to be carried out at any place other than the Site or the place of manufacture, fabrication or preparation of the materials or Plant tested,

shows the materials, Plant or workmanship not to be in accordance with the provisions of the Contract to the satisfaction of the Engineer, then the cost of such test shall be borne by the Contractor, but in any other case Sub-Clause 36.5 shall apply.

36.5 **Engineer's Determination where Tests not Provided for**

Where, pursuant to Sub-Clause 36.4, this Sub-Clause applies the Engineer shall, after due consultation with the Employer and the Contractor, determine:

- (a) any extension of time of which the Contractor is entitled under Clause 44, and
- (b) the amount of such costs, which shall be added to the Contract Price,

and shall notify the Contractor accordingly, with a copy to the Employer.

37.1 **Inspection of Operations**

The Engineer, and any person authorised by him, shall at all reasonable times have access to the Site and to all workshops and places where materials or Plant are being manufactured, fabricated or prepared for the Works and the Contractor shall afford every facility for and every assistance in obtaining the right to such access.

37.2 **Inspection and Testing**

The Engineer shall be entitled, during manufacture, fabrication or preparation to inspect and test the materials and Plant to be supplied under the Contract. If materials or Plant are being manufactured, fabricated or prepared in workshops or places other than those of the Contractor, the Contractor shall obtain permission for the Engineer to carry out such inspection and testing in those workshops or places. Such inspection or testing shall not release the Contractor from any obligation under the Contract.

37.3 **Dates for Inspection and Testing**

The Contractor shall agree with the Engineer on the time and place for the inspection or testing of any materials or Plant as provided in the Contract. The Engineer shall give the Contractor not less than 24 hours notice of his intention to carry out the inspection or to attend the tests. If the Engineer, or his duly authorised representative, does not attend on the date agreed, the Contractor may, unless otherwise instructed by the Engineer, proceed with the tests, which shall be deemed to have been made in the presence of the Engineer. The Contractor shall forthwith forward to the Engineer duly certified copies of the test's readings. If the Engineer has not attended the tests, he shall accept the said readings as accurate.

37.4 Rejection

If, at the time and place agreed in accordance with Sub-Clause 37.3, the materials or Plant are not ready for inspection or testing or if, as a result of the inspection or testing referred to in this Clause, the Engineer determines that the materials or Plant are defective or otherwise not in accordance with the Contract, he may reject the materials or Plant and shall notify the Contractor thereof immediately. The notice shall state the Engineer's objections with reasons. The Contractor shall then promptly make good the defect or ensure that rejected materials or Plant comply with the Contract. If the Engineer so requests, the tests of rejected materials or Plant shall be made or repeated under the same terms and conditions. All costs incurred by the Employer by the repetition of the test shall after due consultation with the Employer and the Contractor, be determined by the Engineer and shall be recoverable from the Contractor by the Employer and may be deducted from any monies due or to become due to the Contractor and the Engineer shall notify the Contractor accordingly, with a copy to the Employer.

37.5 Independent Inspection

The Engineer may delegate inspection and testing of materials or Plant to an independent inspector. Any such delegation shall be affected in accordance with Sub-Clause 2.4 and for this purpose such independent inspector shall be considered as an assistant of the Engineer. Notice of such appointment (not being less than 14 days) shall be given by the Engineer to the Contractor.

38.1 Examination of Work before Covering up

No part of the works shall be covered up or put out of view without the approval of the Engineer and the Contractor shall afford full opportunity for the Engineer to examine and measure any such part of the Works which is about to be covered up or put out of view and to examine foundations before any part of the Works is placed thereon. The Contractor shall give notice to the Engineer whenever any such part of the Works or foundations is or are ready or about to be ready for examination and the Engineer shall, without unreasonable delay, unless he considers it unnecessary and advises the Contractor, accordingly, attend for the purpose of examining and measuring such part of the Works or of examining such foundations.

38.2 Uncovering and Making Openings

The Contractor shall uncover any part of the Works or make openings in or through the same as the Engineer may from time to time instruct and shall reinstate and make good such part. If any such part has been covered up or put out of view after compliance with the requirement of Sub-Clause 38.1 and is found to be executed in accordance with the Contract, the Engineer shall, after due consultation with the Employer and the Contractor, determine the amount the Contractor's costs in respect of such of uncovering, making openings in or

through, reinstating and making good the same, which shall be added to the Contract Price, and shall notify the Contractor accordingly, with a copy to the Employer. In any other case all costs shall be borne by the Contractor.

39.1 **Removal of Improper Work, Materials or Plant**

The Engineer shall have authority to issue instructions from time to time, for:

(a) the removal from the Site, within such time or times as may be specified in the instruction, of any materials or Plant which, in the opinion of the Engineer, are not in accordance with the Contract,

(b) the substitution of proper and suitable materials or Plant, and

(c) the removal and proper re-execution, notwithstanding any previous test thereof or interim payment therefor, of any work which, in respect of

(i) materials, Plant or workmanship, or

(ii) design by the Contractor or for which he is responsible,

is not, in the opinion of the Engineer, in accordance with the Contract.

39.2 **Default of Contractor in Compliance**

In case of default on the part of Contractor in carrying out such instruction within the time specified therein or, if none, within a reasonable time, the Employer shall be entitled to employ and pay other persons to carry out the same and all costs consequent thereon or incidental thereto shall, after due consultation with the Employer and the Contractor, be determined by the Engineer and shall be recoverable from the Contractor by the Employer, and may be deducted by the Employer from any monies due or to become due to the Contractor and the Engineer shall notify the Contractor accordingly, with a copy to the Employer.

Suspension

40.1 **Suspension of Work**

The Contractor shall, on the instructions of the Engineer, suspend the progress of the Works or any part thereof for such time and in such manner as the Engineer may consider necessary and shall, during such suspension, properly protect and secure the Works or such part thereof so far as is necessary in the opinion of the Engineer. Unless such suspension is:

(a) otherwise provided for in the Contract,

(b) necessary by reason of some default of or breach of contract by the Contractor or for which he is responsible,

- (c) necessary by reason of climatic conditions of the Site, or
 - (d) necessary for the proper execution of the Works or for the safety of the Works or any part thereof (save to the extent that such necessity arises from any act or default by the Engineer or the Employer or from any of the risks defined in Sub-Clause 20.4),
- Sub-Clause 40.2 shall apply.

40.2 **Engineer's Determination following Suspension**

Where, pursuant to Sub-Clause 40.1, this Sub-Clause applies the Engineer shall, after due consultation with the Employer and the Contractor, determine:

- (a) any extension of time to which the Contractor is entitled under Clause 44, and
- (b) the amount, which shall be added to the Contract Price, in respect of the cost incurred by the Contractor by reason of such suspension,

and shall notify the Contractor accordingly, with a copy to the Employer.

40.3 **Suspension lasting more than 84 Days**

If the progress of the Works or any part thereof is suspended on the written instructions of the Engineer and if permission to resume work is not given by the Engineer within a period for 84 days from the date of suspension then, unless such suspension is within paragraph (a), (b), (c) or (d) of Sub-Clause 40.1, the Contractor may give notice to the Engineer requiring permission, within 28 days from the receipt thereof, to proceed with the Works or that part thereof in regard to which progress is suspended. If, within the said time, such permission is not granted, the Contractor may, but is not bound to, elect to treat the suspension, where it affects part only of the Works, as an omission of such part under Clause 51 by giving a further notice to the Engineer to that effect, or, where it affects the whole of the Works, treat the suspension as an event of default by the Employer and terminates his employment under the Contract in accordance with the provisions of Sub-Clause 69.1, whereupon the provisions of Sub-Clause 69.2 and 69.3 shall apply.

Commencement and Delays

41.1 **Commencement of Works**

The Contractor shall commence the Works as soon as is reasonably possible after the receipt by him of notice to this effect from the Engineer, which notice shall be issued within the time stated in the Appendix to Tender after the date of the Letter of Acceptance. Thereafter, the Contractor shall proceed with the Works with due expedition and without delay.

42.1 Possession of Site and Access Thereto

Save insofar as the Contract may prescribe:

(a) the extent of portions of the Site of which the Contractor is to be given possession from time to time,

(b) the order in which such portions shall be made available to the Contractor,

and, subject to any requirement in the Contract as to the order in which the Works shall be executed, the Employer will, with the Engineer's notice to commence the Works, give to the Contractor possession of

(c) so much of the Site, and

(d) such access as, in accordance with the Contract, is to be provided by the Employer as may be required to enable the Contractor to commence and proceed with the execution of the Works in accordance with the Program referred to in Clause 14, if any, and otherwise in accordance with such reasonable proposals as the Contractor shall, by notice to the Engineer with a copy to the Employer, make. The Employer will, from time to time as the Works proceed, give to the Contractor possession of such further portions of the Site as may be required to enable the Contractor to proceed with the execution of the Works with due dispatch in accordance with such Program or proposals, as the case may be.

42.2 Failure to Give Possession

If the Contractor suffers delay and/or incurs costs from failure on the part of the Employer to give possession in accordance with the terms of Sub-Clause 42.1, the Engineer shall, after due consultation with the Employer and the Contractor, determine:

(a) any extension of time to which the Contractor is entitled under Clause 44, and

(b) the amount of such costs, which shall be added to the Contract Price,

and shall notify the Contractor accordingly, with a copy to the Employer.

42.3 Rights of Way and Facilities

The Contractor shall bear all costs and charges for special or temporary way leaves required by him in connection with access to the Site. The Contractor shall also provide at his own cost any additional facilities outside the Site required by him for the purposes of the Works.

43.1 Time for Completion

The whole of the Works and, if applicable, any Section required to be completed within a particular time as stated in the Appendix to Tender, shall be completed, in accordance with the provisions of Clause 48, within the time stated in the Appendix to Tender for the whole of the Works or the Section (as the case may be), calculated from the Commencement Date, or such extended time as may be allowed under Clause 44.

44.1 Extension of Time for Completion

In the event of:

- (a) the amount or nature of extra or additional work,
- (b) any cause of delay referred to in these Conditions,
- (c) exceptionally adverse climatic conditions,
- (d) any delay, impediment or prevention by the Employer, or
- (e) other special circumstances which may occur, other than through a default of or breach of contract by the Contractor or for which he is responsible,

being such as fairly to entitle the Contractor to an extension of the Time for Completion of the Works, or any Section or part thereof, the Engineer shall, after due consultation with the Employer and the Contractor, determine the amount of such extension and shall notify the Contractor accordingly, with a copy to the Employer.

44.2 Contractor to Provide Notification and Detailed Particulars

Provided that the Engineer is not bound to make any determination unless the Contractor has

- (a) within 28 days after such event has first arisen notified the Engineer with a copy to the Employer, and
- (b) within 28 days or such other reasonable time as may be agreed by the Engineer, after such notification submitted to the Engineer detailed particulars of any extension of time to which he may consider himself entitled in order that such submission may be investigated at the time.

44.3 Interim Determination of Extension

Provided also that where an event has a continuing effect such that it is not

practicable for the Contractor to submit detailed particulars within the period of 28 days referred to in Sub-Clause 44.2(b), he shall nevertheless be entitled to an extension of time provided that he has submitted to the Engineer interim particulars at intervals of not more than 28 days and final particulars within 28 days of the end of the effects resulting from the event. On receipt of such interim particulars, the Engineer shall, without undue delay, make an interim determination of extension of time and, on receipt of the final particulars, the Engineer shall review all the circumstances and shall determine an overall extension of time in regard to the event. In both such cases the Engineer shall make his determination after due consultation with the Employer and the Contractor and shall notify the Contractor of the determination, with a copy to the Employer. No final review shall result in a decrease of any extension of time already determined by the Engineer.

45.1 **Restriction on Working Hours**

Subject to any provision to the contrary contained in the Contract, none of the Works shall, save as hereinafter provided, be carried on during the night or on locally recognised days of rest without the consent of the Engineer, except when work is unavoidable or absolutely necessary for the saving of life or property or for the safety of the Works, in which case the Contractor shall immediately advise the Engineer. Provided that the provisions of this Clause shall not be applicable in the case of any work which it is customary to carry out by multiple shifts.

46.1 **Rate of Progress**

If for any reason, which does not entitle the Contractor to an extension of time, the rate of progress of the Works or any Section is at any time, in the opinion of the Engineer, too slow to comply with the Time for Completion, the Engineer shall so notify the Contractor who shall thereupon take such steps as are necessary, subject to the consent of the Engineer, to expedite progress so as to comply with the Time for Completion. The Contractor shall not be entitled to any additional payment for taking such steps. If, as a result of any notice given by the Engineer under this Clause, the Contractor considers that it is necessary to do any work at night or on locally recognised days of rest, he shall be entitled to seek the consent of the Engineer so to do. Provided that if any steps, taken by the Contractor in meeting his obligations under this Clause, involve the Employer in additional supervision costs, such cost shall, after due consultation with the Employer and the Contractor, be determined by the Engineer and shall be recoverable from the Contractor by the Employer, and may be deducted by the Employer from any monies due or to become due to the Contractor and the Engineer shall notify the Contractor accordingly, with a copy to the Employer.

47.1 **Liquidated Damages for Delay**

If the Contractor fails to comply with the Time for Completion in accordance with Clause 48, for the whole of the Works or, if applicable, any Section within

the relevant time prescribed by Clause 43, then the Contractor shall pay to the Employer the relevant sum stated in the Appendix to Tender as liquidated damages for such default and not as a penalty (which sum shall be the only monies due from the Contractor for such default) for every day or part of a day which shall elapse between the relevant Time for Completion and the date stated in a Taking-Over Certificate of the whole of the Works or the relevant Section, subject to the applicable limit stated in the Appendix to Tender. The Employer may, without prejudice to any other method of recovery, deduct the amount of such damages from any monies due or to become due to the Contractor. The payment or deduction of such damages shall not relieve the Contractor from his obligation to complete the Works, or from any other of his obligations and liabilities under the Contract.

47.2 **Reduction of Liquidated Damages**

If, before the Time for Completion of the whole of the Works or, if applicable, any Section, a Taking-Over Certificate has been issued for any part of the Works or of a Section, the liquidated damages for delay in completion of the remainder of the Works or of that Section shall, for any period of delay after the date stated in such Taking-Over Certificate, and in the absence of Alternative provisions in the Contract, be reduced in the proportion which the value of the part so certified bears to the value of the whole of the Works or Section, as applicable. The provisions of this Sub-Clause shall only apply to the rate of liquidated damages and shall not affect the limit thereof.

48.1 **Taking-Over Certificate**

When the whole of the Works has been substantially completed and have satisfactorily passed any Tests on Completion prescribed by the Contract, the Contractor may give a notice to that effect to the Engineer with a copy to the Employer, accompanied by a written undertaking to finish with due expedition any outstanding work during the Defects Liability Period. Such notice and undertaking shall be deemed to be a request by the Contractor for the Engineer to issue a Taking-Over Certificate in respect of the Works. The Engineer shall within 21 days of the date of delivery of such notice, either issue to the Contractor, with a copy to the Employer, a Taking-Over Certificate, stating the date on which, in his opinion, the Works were substantially completed in accordance with the Contract, or give instructions in writing to the Contractor specifying all the work which, in the Engineer's opinion, is required to be done by the Contractor before the issue of such Certificate. The Engineer shall also notify the Contractor of any defects in the Works affecting substantial completion that may appear after such instructions and before completion of the Works specified therein. The Contractor shall be entitled to receive such Taking-Over Certificate within 21 days of completion, to the satisfaction of the Engineer, of the Works so specified and remedying any defects so notified.

48.2 **Taking Over of Sections or Parts**

Similarly, in accordance with the procedure set out in Sub-Clause 48.1, the Contractor may request, and the Engineer shall issue a Taking-Over Certificate in respect of:

- (a) any Section in respect of which a separate Time for Completion is provided in the Appendix to Tender,
- (b) any substantial part of the Permanent Works which has been both completed to the satisfaction of the Engineer and, otherwise than as provided for in the Contract, occupied or used by the Employer, or
- (c) any part of the Permanent Works which the Employer has elected to occupy or use prior to completion (where such prior occupation or use is not provided for in the Contract or has not been agreed by the Contractor as a temporary measure).

48.3 **Substantial Completion of Parts**

If any part of the Permanent Works has been substantially completed and has satisfactorily passed any Tests on Completion prescribed by the Contractor, the Engineer may issue a Taking-Over Certificate in respect of that part of the Permanent Works before completion of the whole of the Works and, upon the issue of such Certificate, the Contractor shall be deemed to have undertaken to complete with due expedition any outstanding work in that part of the Permanent Works during the Defects Liability Period.

48.4 **Surfaces Requiring Reinstatement**

Provided that a Taking-Over Certificate given in respect of any Section or part of the Permanent Works before completion of the whole of the Works shall not be deemed to certify completion of any ground or surfaces requiring reinstatement, unless such Taking-Over Certificate shall expressly so state.

Defects Liability

49.1 **Defects Liability Period**

In these Conditions the expression "Defects Liability Period" shall mean the defects liability period named in the Appendix to Tender, calculated from:

- (a) the date of completion of the Works certified by the Engineer in accordance with Clause 48, or
- (b) in the event of more than one certificate having issued by the Engineer under Clause 48, the respective dates so certified,

and in relation to the Defects Liability Period the expression "the Works" shall be construed accordingly.

49.2 **Completion of Outstanding Work and Remedying Defects**

To the intent that the Works shall, at or as soon as practicable after the expiration of the Defects Liability Period, be delivered to the Employer in the condition required by the Contract, fair wear and tear excepted, to the satisfaction of the Engineer, the Contractor shall:

- (a) complete the work, if any, outstanding on the date stated in the Taking-Over Certificate as soon as practicable after such date, and
- (b) execute all such work of amendment, reconstruction, and remedying defects, shrinkages or other faults as the Engineer may, during the Defects Liability Period or within 14 days after its expiration, as a result of an inspection made by or on behalf of the Engineer prior to its expiration, instruct the Contractor to execute.

49.3 **Cost of Remedying Defects**

All work referred to in Sub-Clause 49.2(b) shall be executed by the Contractor at his own cost if the necessity thereof is, in the opinion of the Engineer, due to:

- (a) the use of materials, Plant or workmanship not in accordance with the Contract,
- (b) where the Contractor is responsible for the design of part of the Permanent Works, any fault in such design, or
- (c) the neglect or failure on the part of the Contractor to comply with any obligation, expressed or implied, on the Contractor's part under the Contract.

If, in the opinion of the Engineer, such necessity is due to any other cause, he shall determine an addition to the Contract Price in accordance with Clause 52 and shall notify the Contractor accordingly, with a copy to the Employer.

49.4 **Contractor's Failure to Carry Out Instructions**

In case of default on the part of the Contractor in carrying out such instruction within a reasonable time, the Employer shall be entitled to employ and pay other persons to carry out the same and if such work is work which, in the opinion of the Engineer, the Contractor was liable to do at his own cost under the Contract, then all cost consequent thereon or incidental thereto shall, after due consultation with the Employer and the Contractor, be determined by the Engineer and shall be recoverable from the Contractor by the Employer, and may be deducted by the Employer from any monies due or to become due to the Contractor and the Engineer shall notify the Contractor accordingly, with a copy to the Employer.

50.1 **Contractor to Search**

If any defect, shrinkage or other fault in the Works appears at any time prior to the end of the Defects Liability Period, the Engineer may instruct the Contractor, with a copy to the Employer, to search under the directions of the Engineer for the cause thereof. Unless such defect, shrinkage or other fault is one for which the Contractor is liable under the Contract, the Engineer shall, after due consultation with the Employer and the Contractor, determine the amount in respect of the costs of such search incurred by the Contractor, which shall be added to the Contract Price and shall notify the Contractor accordingly, with a copy to the Employer. If such defect, shrinkage or other fault is one for which the Contractor is liable, the cost of the work carried out in searching as aforesaid shall be borne by the Contractor and he shall in such case remedy such defect, shrinkage or other fault at his own cost in accordance with the provisions of Clause 49.

Alterations, Additions and Omissions

51.1 **Variations**

The Engineer shall make any variation of the form, quality or quantity of the Works or any part thereof that may, in his opinion, be necessary and for that purpose, or if for any other reason it shall, in his opinion, be appropriate, he shall have the authority to instruct the Contractor to do and the Contractor shall do any of the following:

- (a) increase or decrease the quantity of any work included in the Contract,
- (b) omit any such work (but not if the omitted work is to be carried out by the Employer or by another contractor),
- (c) change the character or quality or kind of any such work,
- (d) change the levels, lines, position and dimensions of any part of the Works,
- (e) execute additional work of any kind necessary for the completion of the Works, or
- (f) change any specified sequence or timing of construction of any part of the Works.

No such variation shall in any way vitiate or invalidate the Contract, but the effect, if any, of all such variations shall be valued in accordance with Clause 52. Provided that where the issue of an instruction to vary the Works is necessitated by some default of or breach of contract by the Contractor or for which he is responsible, any additional cost attributable to such default shall be borne by the Contractor.

51.2 **Instructions for Variations**

The Contractor shall not make any such variation without an instruction of the Engineer. Provided that no instruction shall be required for increase or decrease in the quantity of any work where such increase or decrease is not the result of

an instruction given under this Clause but is the result of the quantities exceeding or being less than those stated in the Bill of Quantities.

52.1 Valuation of Variations

All variations referred to in Clause 51 and any additions to the Contract Price which are required to be determined in accordance with Clause 52 (for the purposes of this Clause referred to as "varied work"), shall be valued at the rates and prices set out in the Contract if, in the opinion of the Engineer, the same shall be applicable. If the Contract does not contain any rates or prices applicable to the varied work, the rates and prices in the Contract shall be used as the basis for valuation so far as may be reasonable, failing which, after due consultation by the Engineer with the Employer and the Contractor, suitable rates or prices shall be agreed upon between the Engineer and the Contractor. In the event of disagreement, the Engineer shall fix such rates or prices as are, in his opinion, appropriate and shall notify the Contractor accordingly, with a copy to the Employer. Until such time as rates or prices are agreed or fixed, the Engineer shall determine provisional rates or prices to enable on-account payments to be included in certificates issued in accordance with Clause 60.

52.2 Power of Engineer to Fix Rates

Provided that if the nature or amount of any varied work relative to the nature or amount of the whole of the Works or to any part thereof, is such that, in the opinion of the Engineer, the rate or price contained in the Contract for any item of the Works is, by reason of such varied work, rendered inappropriate or inapplicable, then, after due consultation by the Engineer with the Employer and the Contractor, a suitable rate or price shall be agreed upon between the Engineer and the Contractor. In the event of disagreement, the Engineer shall fix such other rate or price as is, in his opinion, appropriate and shall notify the Contractor accordingly, with a copy to the Employer. Until such time as rates or prices are agreed or fixed, the Engineer shall determine provisional rates or prices to enable on-account payments to be included in certificates issued in accordance with Clause 60.

Provided also that no varied work instructed to be done by the Engineer pursuant to Clause 51 shall be valued under Sub-Clause 52.1 or under this Sub-Clause unless, within 14 days of the date of such instruction and, other than in the case of omitted work, before the commencement of the varied work, notice shall have been given either:

- (a) by the Contractor to the Engineer of his intention to claim extra payment or a varied rate or price, or
- (b) by the Engineer to the Contractor of his intention to vary a rate or price.

52.3 **Variations Exceeding 15 per cent**

If, on the issue of the Taking-Over Certificate for the whole of the Works, it is found that as a result of:

- (a) all varied work valued under Sub-Clauses 52.1 and 52.2, and
- (b) all adjustments upon measurement of the estimated quantities set out in the Bill of Quantities, excluding Provisional Sums, dayworks and adjustment of price made under Clause 70.

but not from any other cause, there have been additions to or deductions from the Contract Price which taken together are in excess of 15 per cent of the "Effective Contract Price" (which for the purposes of this Sub-Clause shall mean the Contract Price, excluding Provisional Sums and allowance for dayworks, if any) then and in such event (subject to any action already taken under any other Sub-Clause of this Clause), after due consultation by the Engineer with the Employer and the Contractor, there shall be added to or deducted from the Contract Price such further sums as may be agreed between the Contractor and the Engineer or, failing agreement, determined by the Engineer having regard to the Contractor's Site and general overhead costs of the Contract. The Engineer shall notify the Contractor of any determination made under this Sub-Clause, with a copy to the Employer. Such sum shall be based only on the amount by which such additions or deductions shall be in excess of 15 per cent of the Effective Contract Price.

52.4 **Daywork**

The Engineer may, if in his opinion it is necessary or desirable, issue an instruction that any varied work shall be executed on a daywork basis. The Contractor shall then be paid for such varied work under the terms set out in the daywork schedule included in the Contract and at the rates and prices affixed thereto by him in the Tender.

The Contractor shall furnish to the Engineer such receipts or other vouchers as may be necessary to provide the amounts paid and, before ordering material, shall submit to the Engineer quotations for the same for his approval.

In respect of such of the Works executed on a daywork basis, the Contractor shall during the continuance of such work, deliver each day to the Engineer an exact list in duplicate of the names, occupation and time of all workmen employed on such work and a statement, also in duplicate, showing the description and quantity of all materials and Contractor's Equipment used thereon or therefore other than Contractor's Equipment which is included in the percentage addition in accordance with such daywork schedule. One copy of each list and statement will, if correct, or when agreed, be signed by the Engineer and returned to the Contractor.

At the end of each month the Contractor shall deliver to the Engineer a priced

statement of the labour, materials and Contractor's Equipment, except as aforesaid, used and the Contractor shall not be entitled to any payment unless such lists and statements have been fully and punctually rendered. Provided always that if the Engineer considers that for any reason the sending of such lists or statements by the Contractor, in accordance with the foregoing provision, was impracticable he shall nevertheless be entitled to authorise payment for such work, either as daywork, on being satisfied as to the time employed and the labour, materials and Contractor's Equipment used on such work, or at such value therefore as shall, in his opinion, be fair and reasonable.

Procedure for Claims

53.1 Notice of Claims

Notwithstanding any other provision of the Contract, if the Contractor intends to claim any additional payment pursuant to any Clause of these Conditions or otherwise, he shall give notice of his intention to the Engineer with a copy to the Employer, within 28 days after the event giving rise to the claim has first arisen.

53.2 Contemporary Records

Upon the happening of the event referred to in Sub-Clause 53.1, the Contractor shall keep such contemporary records as may reasonably be necessary to support any claim he may subsequently wish to make. Without necessarily admitting the Employer's liability, the Engineer shall, on receipt of a notice under Sub-Clause 53.1, inspect such contemporary records and may instruct the Contractor to keep any further contemporary records as are reasonable and may be material to the claim of which notice has been given. The Contractor shall permit the Engineer to inspect all records kept pursuant to this Sub-Clause and shall supply him with copies thereof as and when the Engineer so instructs.

53.3 Substantiation of Claims

Within 28 days, or such other reasonable time as may be agreed by the Engineer, of giving notice under Sub-Clause 53.1, the Contractor shall send to the Engineer an account giving detailed particulars of the amount claimed and the grounds upon which the claim is based. Where the event giving rise to the claim has a continuing effect, such account shall be considered to be an interim account and the Contractor shall, at such intervals as the Engineer may reasonably require, send further interim accounts giving the accumulated amount of the claim and any further grounds upon which it is based. In cases where interim accounts are sent to the Engineer, the Contractor shall send a final account within 28 days of the end of the effects resulting from the event. The Contractor shall, if required by the Engineer so to do, copy to the Employer all accounts sent to the Engineer pursuant to this Sub-Clause.

53.4 **Failure to Comply**

If the Contractor fails to comply with any of the provisions of this Clause in respect of any claim which he seeks to make, his entitlement to payment in respect thereof shall not exceed such amount as the Engineer or any arbitrator or arbitrators appointed pursuant to Sub-Clause 67.3 assessing the claim considers to be verified by contemporary records (whether or not such records were brought to the Engineer's notice as required under Sub-Clause 53.2 and 53.3).

53.5 **Payment of Claims**

The Contractor shall be entitled to have included in any interim payment certified by the Engineer pursuant to Clause 60 such amount in respect of any claim as the Engineer, after due consultation with the Employer and the Contractor, may consider due to the Contractor provided that the Contractor has supplied sufficient particulars to enable the Engineer to determine the amount due. If such particulars are insufficient to substantiate the whole of the claim, the Contractor shall be entitled to payment in respect of such part of the claim as such particulars may substantiate to the satisfaction of the Engineer. The Engineer shall notify the Contractor of any determination made under this Sub-Clause, with a copy to the Employer.

Contractor's Equipment, Temporary Works and Materials

54.1 **Contractor's Equipment, Temporary Works and Materials; Exclusive Use for the Works**

All Contractor's Equipment, Temporary Works and materials provided by the Contractor shall, when brought on to the Site, be deemed to be exclusively intended for the execution of the Works and the Contractor shall not remove the same or any part thereof, except for the purpose of moving it from one part of the Site to another, without the consent of the Engineer. Provided that consent shall not be required for vehicles engaged in transporting any staff, labour, Contractor's Equipment, Temporary Works, Plant or materials to or from the Site.

54.2 **Employer not Liable for Damage**

The Employer shall not at any time be liable, save as mentioned in Clauses 20 and 65, for the loss of or damage to any of the said Contractor's Equipment, Temporary Works or materials.

54.3 **Customs Clearance**

The Employer will use his best endeavours in assisting the Contractor, where required, in obtaining clearance through the Customs of Contractor's

Equipment, materials and other things required for the Works.

54.4 Re-export of Contractor's Equipment

In respect of any Contractor's Equipment which the Contractor has imported for the purposes of the Works, the Employer will use his best endeavours to assist the Contractor, where required, in procuring any necessary Government consent to the re-export of such Contractor's Equipment by the Contractor upon the removal thereof pursuant to the terms of Contract.

54.5 Conditions of Hire of Contractor's Equipment

With a view to securing, in the event of termination under Clause 63, the continued availability, for the purpose of executing the Works, of any hired Contractor's Equipment, the Contractor shall not bring on to the Site any hired Contractor's Equipment unless there is an agreement for hire thereof (which agreement shall be deemed not to include an agreement for hire purchase) which contains a provision that the owner thereof will, on request in writing made by the Employer within 7 days after the date on which any termination has become effective, and on the Employer undertaking to pay all hire charges in respect thereof from such date, hire such Contractor's Equipment to the Employer on the same terms in all respect as the same was hired to the Contractor save that the Employer shall be entitled to permit the use thereof by any other contractor employed by him for the purpose of execution and completing the Works and remedying any defects therein, under the terms of the said Clause 63.

54.6 Costs for the Purpose of Clause 63

In the event of the Employer entering into any agreement for the hire of Contractor's Equipment pursuant to Sub-Clause 54.5, all sums properly paid by the Employer under the provision of any such agreement and all costs incurred by him (including stamp duties) in entering into such agreement shall be deemed, for the purpose of Clause 63, to be part of the cost of executing and completing the Works and the remedying of any defects therein.

54.7 Incorporation of Clause in Subcontracts

The Contractor shall, where entering into any subcontract for the execution of any part of the Works, incorporate in such subcontract (by reference or otherwise) the provisions of this Clause in relation to Contractor's Equipment, Temporary Works or materials brought on to the Site by the Subcontractor.

54.8 Approval of Materials not implied

The operation of this Clause shall not be deemed to imply any approval by the Engineer of the materials or other matters referred to therein nor shall it prevent the rejection of any such materials at any time by the Engineer.

Measurement

55.1 Quantities

The quantities set out in the Bill of Quantities are the estimated quantities for the Works, and they are not to be taken as the actual and correct quantities of the Works to be executed by the Contractor in fulfillment of his obligations under the Contract.

56.1 Works to be Measured

The Engineer shall, except as otherwise stated, ascertain and determine by measurement the value of the Works in accordance with the Contract and the Contractor shall be paid that value in accordance with Clause 60. The Engineer shall, when he requires any part of the Works to be measured, give reasonable notice to the Contractor's authorised agent, who shall:

- (a) forthwith attend or send a qualified representative to assist the Engineer in making such measurement, and
- (b) supply all particulars required by the Engineer.

Should the Contractor not attend, or neglect or omit to send such representative, then the measurement made by the Engineer or approved by him shall be taken to be the correct measurement of such part of the Works. For the purpose of measuring such Permanent Works as are to be measured by records and drawings, the Engineer shall prepare records and drawings as the work proceeds and the Contractor, as and when called upon to do so in writing, shall, within 14 days, attend to examine and agree such records and drawings with the Engineer and shall sign the same when so agreed. If the Contractor does not attend to examine and agree such records and drawings, they shall be taken to be correct. If, after examination of such records and drawings, the Contractor does not agree the same or does not sign the same as agreed, they shall nevertheless be taken to be correct, unless the Contractor, within 14 days of such examination, lodges with the Engineer notice of the respects in which such records and drawings are claimed by him to be incorrect. On receipt of such notice, the Engineer shall review the records and drawings and either confirm or vary them.

57.1 Method of Measurement

The Works shall be measured net, notwithstanding any general or local custom, except where otherwise provided for in the Contract.

57.2 Breakdown of Lump Sum Items

For the purposes of statements submitted in accordance with Sub-Clause 60.1, the Contractor shall submit to the Engineer, within 28 days after the receipt of

the Letter of Acceptance, a breakdown for each of the lump sum items contained in the Tender. Such breakdowns shall be subject to the approval of the Engineer.

Provisional Sums

58.1 Definition of "Provisional Sum"

"Provisional Sum" means a sum included in the Contract and so designated in the Bill of Quantities for the execution of any part of the Works or for the supply of goods, materials, Plant or services, or for contingencies, which sum may be used, in whole or in part, or not at all, on the instructions of the Engineer. The Contractor shall be entitled to only such amounts in respect of the work, supply or contingencies to which such Provisional Sums relate as the Engineer shall determine in accordance with this Clause. The Engineer shall notify the Contractor of any determination made under this Sub-Clause, with a copy to the Employer.

58.2 Use of Provisional Sums

In respect of every Provisional Sum the Engineer shall have authority to issue instructions for the execution of work or for the supply of goods, material, Plant or services by:

- (a) the Contractor, in which case the Contractor shall be entitled to an amount equal to the value thereof determined in accordance with Clause 52, and
- (b) a nominated Subcontractor, as hereinafter defined, in which case the sum to be paid to the Contractor therefore shall be determined and paid in accordance with Sub-Clause 59.4.

58.3 Production of Vouchers

The Contractor shall produce to the Engineer all quotations, invoices, vouchers and accounts or receipts in connection with expenditure in respect of Provisional Sums, except where work is valued in accordance with rates or prices set out in the Tender.

Nominated Subcontractors

59.1 Definition of "Nominated Subcontractors"

All specialists, merchants, tradesmen and others executing any work or supplying any goods, materials, Plant or services for which Provisional Sums are included in the Contract, who may have been or be nominated or selected or approved by the Employer or the Engineer, and all persons to whom by virtue of the provisions of the Contract the Contractor is required to subcontract shall, in the execution of such work or the supply of such goods,

materials, Plant or services, be deemed to be subcontractors to the Contractor and are referred to in this Contract as "nominated Subcontractors".

59.2 **Nominated Subcontractors, Objection to Nomination**

The Contractor shall not be required by the Employer or the Engineer, or be deemed to be under any obligation, to employ any nominated Subcontractor against whom the Contractor may raise reasonable objection, or who declines to enter into subcontract with the Contractor containing provisions:

(a) that in respect of the work, goods, materials, Plant or services the subject of the subcontract, the nominated Subcontractor will undertake towards the Contractor such obligations and liabilities as will enable the Contractor to discharge his own obligations and liabilities towards the Employer under the terms of the Contract and will save harmless and indemnify the Contractor from and against the same and from all claims, proceedings, damages, costs, charges and expenses whatsoever arising out of or in connection therewith, or arising out of or in connection with any failure to perform such obligations or to fulfill such liabilities, and

(b) that the nominated Subcontractor will save harmless and indemnify the Contractor from and against any negligence by the nominated Subcontractor, his agents, workmen and servants and from and against any misuse by him or them of any Temporary Works provided by the Contractor for the purposes of the Contract and from all claims as aforesaid.

59.3 **Design Requirements to be Expressly Stated**

If in connection with any Provisional Sum the services to be provided include any matter of design or specification of any part of the Permanent Works or of any Plant to be incorporated therein, such requirement shall be expressly stated in the Contract and shall be included in any nominated Subcontract. The nominated Subcontract shall specify that the nominated Subcontractor providing such services will save harmless and indemnify the Contractor from and against the same and from all claims, proceedings, damages, costs, charges and expenses whatsoever arising out of or in connection with any failure to perform such obligations or to fulfill such liabilities.

59.4 **Payments to Nominated Subcontractors**

For all work executed or goods, materials, Plant or services supplied by any nominated Subcontractor, the Contractor shall be entitled to:

(a) the actual price paid or due to be paid by the Contractor, on the instructions of the Engineer, and in accordance with the subcontract.

(b) in respect of labour supplied by the Contractor, the sum, if any, entered in the Bill of Quantities or, if instructed by the Engineer pursuant to

paragraph (a) of Sub-Clause 58.2, as may be determined in accordance with Clause 52; and

(c) in respect of all other charges and profit, a sum being a percentage rate of the actual price paid or due to be paid calculated, where provision has been made in the Bill of Quantities for a rate to be set against the relevant Provisional Sum, at the rate inserted by the Contractor against that item or, where no such provision has been made, at the rate inserted by the Contractor in the Appendix to Tender and repeated where provision for such is made in a special item provided in the Bill of Quantities for such purpose.

59.5 **Certification of Payments to Nominated Subcontractors**

Before issuing, under Clause 60 any certificate, which includes any payment in respect of work done or goods, materials, Plant or services supplied by any nominated Subcontractor, the Engineer shall be entitled to demand from the Contractor reasonable proof that all payments, less retentions, included in previous certificates in respect of the work or goods, materials, Plant or services of such nominated Subcontractor have been paid or discharged by the Contractor. If the Contractor fails to supply such proof, then, unless the Contractor:

- (a) satisfies the Engineer in writing that he has reasonable cause for withholding or refusing to make such payment, and
- (b) produces to the Engineer reasonable proof that he has so informed such nominated Subcontractor in writing,

the Employer shall be entitled to pay to such nominated Subcontractor direct, upon the certificate of the Engineer, all payments, less retention, provided for in the nominated Subcontract, which the Contractor has failed to make to such nominated Subcontractor and to deduct by way of set-off the amount so paid by the Employer from any sums due or to become due from the Employer to the Contractor.

Provided that, where the Engineer has certified and the Employer has paid direct as aforesaid, the Engineer shall in issuing any further certificate in favour of the Contractor, deduct from the amount thereof the amount so paid, direct as aforesaid, but shall not withhold or delay the issue of the certificate itself when due to be issued under the terms of the Contract.

Certificates and Payment

60.1 **Monthly Statements**

The Contractor shall submit to the Engineer after the end of each month six copies, each signed by the Contractor's representative approved by the Engineer in accordance with the Sub-Clause 15.1, of a statement, in such form as the Engineer may from time to time prescribe, showing the amounts to

which, the Contractor considers himself to be entitled up to the end of the month in respect of:

- (a) the value of the Permanent Works executed,
- (b) any other items in the Bill of Quantities including those for Contractor's Equipment, Temporary Works, dayworks and the like,
- (c) the percentage of the invoice value of listed materials, all as stated in the Appendix to Tender, and Plant delivered by the Contractor on the Site for incorporation in the Permanent Works but not incorporated in such Works,
- (d) adjustments under Clause 70, and
- (e) any other sum to which the Contractor may be entitled under the Contract or otherwise.

60.2 **Monthly Payments**

The Engineer shall, within 28 days of receiving such statement, certify to the Employer the amount of payment to the Contractor which he considers due and payable in respect thereof, subject:

- (a) firstly, to the retention of the account calculated by applying the Percentage of Retention stated in the Appendix to Tender, to the amount to which the Contractor is entitled under paragraph (a), (b), (c) and (e) of Sub-Clause 60.1 until the amount so retained reaches the Limit of Retention Money stated in the Appendix to Tender, and
- (b) secondly, to the deduction, other than pursuant to Clause 47, of any sums which may have become due and payable by the Contractor to the Employer.

Provided that the Engineer shall not be bound to certify any payment under this Sub-Clause if the net amount thereof, after all retentions and deductions, would be less than the Minimum Amount of Interim Payment Certificates stated in the Appendix to Tender.

Notwithstanding the terms of this Clause or any other Clause of the Contract no amount will be certified by the Engineer for payment until the performance security, if required under the Contract, has been provided by the Contractor and approved by the Employer.

60.3 **Payment of Retention Money**

- (a) Upon the issue of the Taking-Over Certificate with respect to the whole of the Works, one half of the Retention Money, or upon the issue of a Taking-Over Certificate with respect to a Section or part of the Permanent

Works only such proportion thereof as the Engineer determines having regard to the relative value of such Section or part of the Permanent Works, shall be certified by the Engineer for payment to the Contractor.

(b) Upon the expiration of the Defects Liability Period for the Works the other half of the Retention Money shall be certified by the Engineer for payment to the Contractor. Provided that, in the event of different Defects Liability Periods having become applicable to different Sections or part of the Permanent Works pursuant to Clause 48, the expression "expiration of the Defects Liability Period" shall, for the purposes of this Sub-Clause, be deemed to mean the expiration of the latest of such periods. Provided also that if at such time, there shall remain to be executed by the Contractor any work instructed, pursuant to Clause 49 and 50, in respect of the Works, the Engineer shall be entitled to withhold certification until completion of such work of so much of the balance of the Retention Money as shall, in the opinion of the Engineer, represent the cost of the work remaining to be executed.

60.4 **Correction of Certificates**

The Engineer may by any Interim Payment Certificate make any correction or modification in any previous certificate which shall have been issued by him and shall have authority, if any work is not being carried out to his satisfaction, to omit or reduce the value of such work in any Interim Payment Certificate.

60.5 **Statement at Completion**

Not later than 84 days after the issue of the Taking-Over Certificate in respect of the whole of the Works, the Contractor shall submit to the Engineer a Statement at Completion with supporting documents showing in detail, in the form approved by the Engineer:

- (a) The final value of all work done in accordance with the Contract up to the date stated in such Taking-Over Certificate,
- (b) Any further sums which the Contractor considers to be due, and
- (c) An estimate of amounts which the Contractor considers will become due to him under the Contract.

The estimated amounts shall be shown separately in such Statement at Completion. The Engineer shall verify payment in accordance with Sub- Clause 60.2.

60.6 **Final Statement**

Not later than 56 days after the issue of the Defects Liability Certificate

pursuant to Sub-Clause 62.1, the Contractor shall submit to the Engineer for consideration a draft final statement with supporting documents showing in detail, in the form approved by the Engineer:

- (a) the value of all work done in accordance with the Contract, and
- (b) any further sums which the Contractor considers to be due to him under the Contract.

If the Engineer disagrees with or cannot verify any part of the draft final statement, the Contractor shall submit such further information as the Engineer may reasonably require and shall make such changes in the draft as may be agreed between them. The Contractor shall then prepare and submit to the Engineer the final statement as agreed (for the purposes of these Conditions referred to as the "Final Statement").

If, following discussions between the Engineer and the Contractor and any changes to the draft final statement which may be agreed between them, it becomes evident that a dispute exists, the Engineer shall deliver to the Employer an Interim Payment Certificate for those parts of the draft final statement, if any, which are not in dispute. The dispute may then be settled in accordance with Clause 67.

60.7 **Discharge**

Upon submission of the Final Statement, the Contractor shall give to the Employer, with a copy to the Engineer, a written discharge confirming that the total of the Final Statement represents full and final settlement of all monies due to the Contractor arising out of or in respect of the Contract. Provided that such discharge shall become effective only after payment due under the Final Payment Certificate issued pursuant to Sub-Clause 60.8 has been made and the performance security referred to in Sub-Clause 10.1, if any, has been returned to the Contractor.

60.8 **Final Payment Certificate**

Within 28 days after receipt of the Final Statement, and the written discharge, the Engineer shall issue to the Employer (with a copy to the Contractor) a Final Payment Certificate stating:

- (a) the amount which, in the opinion of the Engineer, is finally due under the Contract or otherwise, and
- (b) after giving credit to the Employer for all amounts previously paid by the Employer and for all sums to which the Employer is entitled other than under Clause 47, the balance, if any, due from the Employer to the Contractor or from the Contractor to the Employer as the case may be.

60.9 **Cessation of Employer's Liability**

The Employer shall not be liable to the Contractor for any matter or thing

arising out of or in connection with the Contract or execution of the Works, unless the Contractor shall have included a claim in respect thereof in his Final Statement and (except in respect of matters or things arising after the issue of the Taking-Over Certificate in respect of the whole of the Works) in the Statement at Completion referred to in Sub-Clause 60.5.

60.10 Time for Payment

The amount due to the Contractor under any Interim Payment Certificate issued by the Engineer pursuant to this Clause, or to any other term of the Contract, shall, subject to Clause 47, be paid by the Employer to the Contractor within 28 days after such Interim Payment Certificate has been delivered to the Employer, or, in the case of the Final Payment Certificate referred to in Sub-Clause 60.8, within 56 days, after such Final Payment Certificate has been delivered to the Employer. In the event of the failure of the Employer to make payment within the times stated, the Employer shall pay to the Contractor interest at the rate stated in the Appendix to Tender upon all sums unpaid from the date by which the same should have been paid. The provisions of this Sub-Clause are without prejudice to the Contractor's entitlement under Clause 69 or otherwise.

61.1 Approval only by Defects Liability Certificate

Only the Defects Liability Certificate, referred to in Clause 62, shall be deemed to constitute approval of the Works.

62.1 Defects Liability Certificate

The Contract shall not be considered as completed until a Defects Liability Certificate shall have been signed by the Engineer and delivered to the Employer, with a copy to the Contractor, stating the date on which the Contractor shall have completed his obligations to execute and complete the Works and remedy any defects therein to the Engineer's satisfaction. The Defects Liability Certificate shall be given by the Engineer within 28 days after the expiration of the Defects Liability Period, or, if different defects liability periods shall become applicable to different Sections or parts of the Permanent Works, the expiration of the latest such period, or as soon thereafter as any works instructed, pursuant to Clause 49 and 50, have been completed to the satisfaction of the Engineer. Provided that the issue of the Defects Liability Certificate shall not be a condition precedent to payment to the Contractor of the second portion of the Retention Money in accordance with the conditions set out in Sub-Clause 60.3.

62.2 Unfulfilled Obligations

Notwithstanding the issue of the Defects Liability Certificate the Contractor and the Employer shall remain liable for the fulfillment of any obligation incurred under the provisions of the Contract prior to the issue of the Defects

Liability Certificate which remains unperformed at the time of such Defects Liability Certificate is issued and, for the purposes of determining the nature and extent of any such obligation, the Contract shall be deemed to remain in force between the parties to the Contract.

Remedies

63.1 Default of Contractor

If the Contractor is deemed by law unable to pay his debts as they fall due, or enters into voluntary or involuntary bankruptcy, liquidation or dissolution (other than a voluntary liquidation for the purposes of amalgamation or reconstruction), or becomes insolvent, or makes an arrangement with, or assignment in favour of, his creditors, or agrees to carry out the Contract under a committee of inspection of his creditors, or if a receiver, administrator, trustee or liquidator is appointed over any substantial part of his assets, or if, under any law or regulation relating to reorganization, arrangement or readjustment of debts, proceedings are commenced against the Contractor or resolutions passed in connection with dissolution or liquidation or if any steps are taken to enforce any security interest over a substantial part of the assets of the Contractor, or if any act is done or event occurs with respect to the Contractor or his assets which, under any applicable law has a substantially similar effect to any of the foregoing acts or events, or if the Contractor has contravened Sub-Clause 3.1, or has an execution levied on his goods, or Contract, if the Engineer certifies to the Employer, with a copy to the Contractor, that, in his opinion, the Contractor:

- (a) has repudiated the Contract, or
 - (b) without reasonable excuse has failed
 - (i) to commence the Works in accordance with Sub-Clause 41.1,
 - (ii) to proceed with the Works, or any Section thereof, within 28 days after receiving notice pursuant to Sub-Clause 46.1,
 - (c) has failed to comply with a notice issued pursuant to Sub-Clause 37.4 or an instruction issued pursuant to Sub-Clause 39.1 within 28 days after having received it
 - (d) despite previous warning from the Engineer, in writing, is otherwise persistently or flagrantly neglecting to comply with any of his obligations under the Contract, or
 - (e) has contravened Sub-Clause 4.1,
- then the Employer may, after giving 14 days' notice to the Contractor, enter upon the Site and the Works and terminate the employment of the Contractor without thereby releasing the Contractor from any of his obligations or liabilities under the Contract, or affecting the rights and authorities conferred on the Employer or the Engineer by the Contract, and may himself complete

the Works or may employ any other contractor to complete the Works. The Employer or such other contractor may use for such completion so much of the Contractor's Equipment, Temporary Works and materials as he or they may think proper.

63.2 **Valuation at Date of Termination**

The Engineer shall, as soon as may be practicable after any such entry and termination by the Employer, fix and determine ex parte, or by or after reference to the parties or after such investigation or enquiries as he may think fit to make or institute, and shall certify:

(a) what amount (if any) had, at the time of such entry and termination, been reasonably earned by or would reasonably accrue to the Contractor in respect of work then actually done by him under the Contract, and

(b) the value of any of the said unused or partially used materials, any Contractor's Equipment and any Temporary Works.

63.3 **Payment after Termination**

If the Employer terminates the Contractor's employment under this Clause, he shall not be liable to pay to the Contractor any further amount (including damages) in respect of the Contract until the expiration of the Defects Liability Period and thereafter until the costs of execution, completion and remedying of any defects, damages for delay in completion (if any) and all other expenses incurred by the Employer have been ascertained and the amount thereof certified by the Engineer. The Contractor shall then be entitled to receive only such sum (if any) as the Engineer may certify would have been payable to him upon due completion by him after deducting the said amount. If such amount exceeds the sum which would have been payable to the Contractor on due completion by him, then the Contractor shall, upon demand, pay to the Employer the amount of such excess and it shall be deemed a debt due by the Contractor to the Employer and shall be recoverable accordingly.

63.4 **Assignment of Benefit of Agreement**

Unless prohibited by law, the Contractor shall, if so, instructed by the Engineer within 14 days of such entry and termination referred to in Sub- Clause 63.1, assign to the Employer the benefit of any agreement for the supply of any goods or materials or services and/or for the execution of any work for the purposes of the Contract, which the Contractor may have entered into.

64.1 **Urgent Remedial Work**

If, by reason of any accident, or failure, or other event occurring to, in, or in

connection with the Works, or any part thereof, either during the execution of the Works, or during the Defects Liability Period, any remedial or other work is, in the opinion of the Engineer, urgently necessary for the safety of the Works and the Contractor is unable or unwilling at once to do such work, the Employer shall be entitled to employ and pay other persons to carry out such work as the Engineer may consider necessary. If the work or repair so done by the Employer is work which, in the opinion of the Engineer, the Contractor was liable to do at his own cost under the Contract, then all costs consequent thereon or incidental thereto shall, after due consultation with the Employer and the Contractor, be determined by the Engineer and shall be recoverable from the Contractor by the Employer, and may be deducted by the Employer from any monies due or to become due to the Contractor and the Engineer shall notify the Contractor accordingly, with a copy to the Employer. Provided that the Engineer shall, as soon after the occurrence of any such emergency as may be reasonably practicable, notify the Contractor thereof.

Special Risks

65.1 No Liability for Special Risks

The Contractor shall be under no liability whatsoever in consequence of any of the special risks referred to in Sub-Clause 65.2, whether by way of indemnity or otherwise, for or in respect of:

- (a) destruction of or damage to the Works, save to work condemned under the provisions of Clause 39 prior to the occurrence of any of the said special risks,
- (b) destruction of or damage to property, whether of the Employer or third parties, or
- (c) injury or loss of life.

65.2 Special Risks

The Special Risks are:

- (a) the risks defined under paragraphs (a), (c), (d) and (e) of Sub-Clause 20.4, and
- (b) the risks defined under paragraph (b) of Sub-Clause 20.4 insofar as these relate to the country in which the Works are to be executed.

65.3 Damage to Works by Special Risks

If the Works or any materials or Plant on or near or in transit to the Site, or any of the Contractor's Equipment, sustain destruction or damage by reason of any of the said special risks, the Contractor shall be entitled to payment in accordance with the Contract for any Permanent Works duly executed and for any materials or Plant so destroyed or damaged and, so far as may be required by the Engineer or as may be necessary for the completion of the Works, to

payment for:

- (a) rectifying any such destruction or damage to the Works, and
- (b) replacing or rectifying such materials or Contractor's Equipment,

and the Engineer shall determine an addition to the Contract Price in accordance with Clause 52 (which shall in the case of the cost of replacement of Contractor's Equipment include the fair market value thereof as determined by the Engineer) and shall notify the Contractor accordingly, with a copy to the Employer.

65.4 **Projectile, Missile**

Destruction, damage, injury or loss of life caused by the explosion or impact, whenever and wherever occurring, of any mine, bomb, shell, grenade, or other projectile, missile, munition, or explosive of war, shall be deemed to be a consequence of the said special risks.

65.5 **Increased Costs arising from Special Risks**

Save to the extent that the Contractor is entitled to payment under any other provision of the Contract, the Employer shall repay to the Contractor any costs of the execution of the Work (other than such as may be attributable to the cost of reconstructing work condemned under the provisions of Clause 39 prior to the occurrence of any special risk) which are howsoever attributable to or consequent on or the result of or in any way whatsoever connected with the said special risks, subject however to the provisions in this Clause hereinafter contained in regard to outbreak of war, but the Contractor shall, as soon as any such cost comes to his knowledge, forthwith notify the Engineer thereof. The Engineer shall, after due consultation with the Employer and the Contractor, determine the amount of the Contractor's costs in respect thereof which shall be added to the Contract Price and shall notify the Contractor accordingly, with a copy to the Employer.

65.6 **Outbreak of War**

If, during the currency of the Contract, there is an outbreak of war, whether war is declared or not, in any part of the world which, whether financially or otherwise, materially affects the execution of the Works, the Contractor shall, unless and until the Contract is terminated under the provisions of this Clause, continue to use his best endeavor to complete the execution of the Works. Provided that the Employer shall be entitled, at any time after such outbreak of war, to terminate the Contract by giving notice to the Contractor and, upon such notice being given, the Contract shall, except as to the rights of the parties under this clause and Clause 67, terminate, but without prejudice to the rights of either party in respect of any antecedent breach thereof.

65.7 **Removal of Contractor's Equipment on Termination**

If the Contract is terminated under the provisions of Sub-Clause 65.6, the Contractor shall, with all reasonable dispatch, remove from the Site all Contractor's Equipment and shall give similar facilities to his Subcontractors to do so.

65.8 **Payment if Contract Terminated**

If the Contract is terminated as aforesaid, the Contractor shall be paid by the Employer, insofar as such amounts or items have not already been covered by payments on account made to the Contractor, for all work executed prior to the date of termination at the rates and prices provided in the Contract and in addition:

(a) the amounts payable in respect of any preliminary items referred to in the Bill of Quantities, so far as the work or service comprised therein has been carried out or performed, and a proper portion of any such items which have been partially carried out or performed.

(b) the cost of materials, Plant or goods reasonably ordered for the Works which have been delivered to the Contractor or of which the Contractor is legally liable to accept delivery, such materials, Plant or goods becoming the property of the Employer upon such payments being made by him.

(c) a sum being the amount of any expenditure reasonably incurred by the Contractor in the expectation of completing the whole of the Works insofar as such expenditure has not been covered by any other payments referred to in this Sub-Clause.

(d) any additional sum payable under the provisions of Sub-Clauses 65.3 and 65.5.

(e) such proportion of the cost as may be reasonable, taking into account payments made or to be made for work executed, of removal of Contractor's Equipment under Sub-Clause 65.7 and, if required by the Contractor, return thereof to the Contractor's main plant yard in his country of registration or to other destination, at no greater cost; and

(f) the reasonable cost of repatriation of all the Contractor's staff and workmen employed on or in connection with the Works at the time of such termination.

Provided that against any payment due from the Employer under this Sub-Clause, the Employer shall be entitled to be credited with any outstanding balances due from the Contractor for advances in respect of Contractor's Equipment, materials and Plant and any other sums which, at the date of termination, were recoverable by the Employer from the Contractor under the terms of Contract. Any sums payable under this Sub-Clause shall, after due

consultation with the Employer and the Contractor, be determined by the Engineer who shall notify the Contractor accordingly, with a copy to the Employer.

Release from Performance

66.1 Payment in Event of Release from Performance

If any circumstance outside the control of both parties arises after the issue of the Letter of Acceptance which renders it impossible or unlawful for either party to fulfill his or their contractual obligations, or under the law governing the Contract the parties are released from further performance, then the parties shall be discharged from the Contract, except as to their rights under this Clause and Clause 67 and without prejudice to the rights of either party in respect of any antecedent breach of the Contract, and the sum payable by the Employer to the Contractor in respect of the work executed shall be the same as that which would have been payable under Clause 65 if the Contract had been terminated under the provisions of Clause 65.

Settlement of Disputes

67.1 Engineer's Decision

If a dispute of any kind whatsoever arises between the Employer and the Contractor in connection with, or arising out of, the Contract or the execution of the Works, whether during the execution of the Works or after their completion and whether before or after repudiation or other termination of the Contract, including any dispute as to any opinion, instruction, determination, certificate or valuation of the Engineer, the matter in dispute shall, in the first place, be referred in writing to the Engineer, with a copy to the other party. Such reference shall state that it is made pursuant to this Clause. No later than the eighty-fourth day after the day on which he received such reference the Engineer shall give notice of his decision to the Employer and the Contractor. Such decision shall state that it is made pursuant to this Clause.

Unless the Contract has already been repudiated or terminated, the Contractor shall, in every case, continue to proceed with the Works with all due diligence and the Contractor and the Employer shall give effect forthwith to every such decision of the Engineer unless and until the same shall be revised, as hereinafter provided, in an amicable settlement or an arbitral award.

If either the Employer or the Contractor be dissatisfied with any decision of the Engineer, or if the Engineer fails to give notice of his decision on or before the eighty-fourth day on which he received the reference, then either the Employer or the Contractor may, on or before the seventieth day after the day on which he received notice of such decision, or on or before the seventieth day after the day on which the said period of 84 days expired, as the case may be, give notice to the other party, with a copy for information to the Engineer,

of his intention to commence arbitration, as hereinafter provided, as to the matter in dispute. Such notice shall establish the entitlement of the party giving the same to commence arbitration, as hereinafter provided, as to such dispute and, subject to Sub-Clause 67.4, no arbitration in respect thereof may be commenced unless such notice is given.

If the Engineer has given notice of his decision as to a matter in dispute to the Employer and the Contractor and no notice of intention to commence arbitration as to such dispute has been given by either the Employer or the Contractor on or before the seventieth day after the day on which the parties received notice as to such decision from the Engineer, the said decision shall become final and binding upon the Employer and the Contractor.

67.2 **Amicable Settlement**

Where notice of intention to commence arbitration as to a dispute has been given in accordance with Sub-Clause 67.1, the parties shall attempt to settle such dispute amicably before the commencement of arbitration. Provided that, unless the parties otherwise agree, arbitration may be commenced on or after the fifty-sixth day after the day on which notice of intention to commence arbitration of such dispute was given, even if no attempt at amicable settlement thereof has been made.

67.3 **Arbitration**

Any dispute in respect of which:

- (a) the decision, if any, of the Engineer has not become final and binding pursuant to Sub-Clause 67.1, and
- (b) amicable settlement has not been reached within the period stated in Sub-Clause 67.2,

shall be finally settled, unless otherwise specified in the Contract, under the Rules of Conciliation and Arbitration of the International Chamber of Commerce by one or more arbitrators appointed under such Rules. The said arbitrator/s shall have full power to open up, review and revise any decision, opinion, instruction, determination, certificate or valuation of the Engineer related to the dispute.

Neither party shall be limited in the proceedings before such arbitrator/s to the evidence or arguments put before the Engineer for the purpose of obtaining his said decision pursuant to Sub-Clause 67.1. No such decision shall disqualify the Engineer from being called as a witness and giving evidence before the arbitrator/s on any matter whatsoever relevant to the dispute.

Arbitration may be commenced prior to or after completion of the Works, provided that the obligations of the Employer, the Engineer and the Contractor shall not be altered by reason of the arbitration being conducted during the progress of the Works.

67.4 Failure to Comply with Engineer's Decision

Where neither the Employer nor the Contractor has given notice of intention to commence arbitration of a dispute within the period stated in Sub-Clause 67.1 and the related decision has become final and binding, either party may, if the other party fails to comply with such decision, and without prejudice to any other rights it may have, refer the failure to arbitration in accordance with Sub-Clause 67.3. The provisions of Sub-Clause 67.1 and 67.2 shall not apply to any such reference.

Notices**68.1 Notice to Contractor**

All certificates, notices or instructions to be given to the Contractor by the Employer or the Engineer under the terms of the Contract shall be sent by post, cable, telex or facsimile transmission to or left at the Contractor's principal place of business or such other address as the Contractor shall nominate for that purpose.

68.2 Notice to Employer and Engineer

Any notice to be given to the Employer or to the Engineer under the terms of the Contract shall be sent by post, cable, telex or facsimile transmission to or left at the respective addresses nominated for that purpose in Part II of these Conditions.

68.3 Change of Address

Either party may change a nominated address to another address in the country where the Works are being executed by prior notice to the other party, with a copy to the Engineer, and the Engineer may do so by prior notice to both parties.

Default of Employer**69.1 Default of Employer**

In the event of the Employer:

(a) failing to pay to the Contractor the amount due under any certificate of the Engineer within 28 days after the expiry of the time stated in Sub-Clause 60.10 within which payment is to be made, subject to any deduction that the Employer is entitled to make under the Contract,

(b) interfering with or obstructing or refusing any required approval to the issue of any such certificate,

(c) becoming bankrupt or, being a company, going into liquidation, other than for the purpose of a scheme of reconstruction or amalgamation, or

(d) giving notice to the Contractor that for economic reasons it is impossible for him to continue to meet his contractual obligations,

the Contractor shall be entitled to terminate his employment under the Contract by giving notice to the Employer, with a copy to the Engineer. Such termination shall take effect 14 days after the giving of the notice.

69.2 Removal of Contractor's Equipment

Upon the expiry of the 14 days' notice referred to in Sub-Clause 69.1, the Contractor shall, notwithstanding the provisions of Sub-Clause 54.1, with all reasonable despatch, remove from the Site all Contractor's Equipment brought by him thereon.

69.3 Payment on Termination

In the event of such termination the Employer shall be under the same obligations to the Contractor in regard to payment as if the Contract had been terminated under the provisions of Clause 65, but in addition to the payments specified in Sub-Clause 65.8, the Employer shall pay to the Contractor the amount of any loss or damage to the Contractor arising out of or in connection with or by consequence of such termination.

69.4 Contractor's Entitlement to Suspend Work

Without prejudice to the Contractor's entitlement to interest under Sub-Clause 60.10 and to terminate under Sub-Clause 69.1, the Contractor may, if the Employer fails to pay the Contractor the amount due under any certificate of the Engineer within 28 days after the expiry of the time stated in Sub-Clause 60.10 within which payment is to be made, subject to any deduction that the Employer is entitled to make under the Contract, after giving 28 days' prior notice to the Employer, with a copy to the Engineer, suspend work or reduce the rate of work.

If the Contractor suspends work or reduces the rate of work in accordance with the provisions of this Sub-Clause and thereby suffers delay or incurs costs the Engineer shall, after due consultation with the Employer and the Contractor, determine:

- (a) any extension of time to which the Contractor is entitled under Clause 44, and
- (b) the amount of such costs, which shall be added to the Contract Price,

and shall notify the Contractor accordingly, with a copy to the Employer.

69.5 **Resumption of Work**

Where the Contractor suspends work or reduces the rate of work, having given notice in accordance with Sub-Clause 69.4, and the Employer subsequently pays the amount due, including interest pursuant to Sub-Clause 60.10, the Contractor's entitlement under Sub-Clause 69.1 shall, if notice of termination has not been given, lapse and the Contractor shall resume normal working as soon as is reasonably possible.

Changes in Cost and Legislation

70.1 **Increase or Decrease of Cost**

There shall be added to or deducted from the Contract Price such sums in respect of rise or fall in the cost of labour and/or materials or any other matters affecting the cost of the execution of the Works as may be determined in accordance with part II of these Conditions.

70.2 **Subsequent Legislation**

If, after the date 28 days prior to the latest date for submission of tenders for the Contract there occur in the country in which the Works are being or are to be executed changes to any National or State Statute, Ordinance, Decree or other Law or any regulation or bye-law of any local or other duly constituted authority, or the introduction of any such State Statute, Ordinance, Decree, Law, regulation or bye-law which causes additional or reduced cost to the Contractor, other than under Sub-Clause 70.1, in the execution of the Contract, such additional or reduced cost shall, after due consultation with the Employer and the Contractor, be determined by the Engineer and shall be added to or deducted from the Contract Price and the Engineer shall notify the Contractor accordingly, with a copy to the Employer.

Currency and Rates of Exchange

71.1 **Currency Restrictions**

If, after the date 28 days prior to the latest date for submission of tenders for the Contract, the Government or authorized agency of the Government of the country in which the Works are being or are to be executed imposes currency restrictions and/or transfer of currency restrictions in relation to the currency or currencies in which the Contract Price is to be paid, the Employer shall reimburse any loss or damage to the Contractor arising therefrom, without prejudice to the right of the Contractor to exercise any other rights or remedies to which he is entitled in such event.

72.1 **Rates of Exchange**

Where the Contract provides for payment in whole or in part to be made to the

Contractor in foreign currency or currencies, such payment shall not be subject to variations in the rate or rates of exchange between such specified foreign currency or currencies and the currency of the country in which the Works are to be executed.

72.2 Currency Proportions

Where the Employer has required the Tender to be expressed in a single currency but with payment to be made in more than one currency and the Contractor has stated the proportions or amounts of other currency or currencies in which he requires payment to be made, the rate or rates of exchange applicable for calculating the payment of such proportions or amounts shall, unless otherwise stated in Part II of these Conditions, be those prevailing, as determined by the Central Bank of the country in which the Works are to be executed, on the date 28 days prior to the latest date for the submission of tenders for the Contract, as has been notified to the Contractor by the Employer prior to the submission of tenders or as provided for in the Tender.

72.3 Currencies of Payment for Provisional Sums

Where the Contract provides for payment in more than one currency, the proportions or amounts to be paid in foreign currencies in respect of Provisional Sums shall be determined in accordance with the principles set forth in Sub-Clauses 72.1 and 72.2 as and when these sums are utilised in whole or in part in accordance with the provisions of Clauses 58 and 59.

REFERENCE TO PART II

INDEX

PART I GENERAL CONDITIONS

INDEX	Clause
Access to Site	42.1
Access to Works, Engineer	37.1
Access, Contractor to Satisfy Himself	11.1
Accident or Injury to Workmen - Insurance Against	24.2
Accident or Injury to Workmen - Liability for	24.1
Address, Change of	68.3
Adequacy of Insurance	25.2
Adjustment of Contract Price if Variations Exceed 15 percent of Tender Sum	52.3
Agreement	9.1
Alterations, Additions and Omissions	51&52
Ambiguities in Contract Documents	5.2
Amicable Settlement of Disputes	67.2
Appointment of Assistants to Engineer	2.4
Approval by the Engineer	7.3
Approval of Materials not Implied	54.8
Approval Only by Defects Liability Certificate	61.1
Arbitration	67.3
Assignment of Contract	3.1
Avoidance of Damage to Roads	30.1
Bills of Quantities – Estimated Only	55.1
Boreholes and Exploratory Excavation	18.1
Breakdown of Lump Sum items	57.2
Care of works	20.1
Cash Flow Estimate to be Submitted	14.3
Certificate, Final	60.8
Certificate and Payment, Monthly Statements	60.1
Certificates, Correction of	60.4
Certificate, Taking-Over	48.1
Certification of Completion of Works	48.1
Certification of Completion of Sections or Parts	48.2
Cessation of Employer's Liability	60.9
Change of Address, Notice of	68.3
Claims, Contemporary Records	53.2
Claims, Notice of	53.1
Claims, Payment of	53.5
Claims, Substantiation of	53.3
Claims Under Performance Security	10.3
Clearance of Site on Completion	33.1
Commencement of Works	41.1
Completion of Works, Time for	43.1
Completion of Works, Time for, Extension of	44.1
Completion, Statement at	60.5

INDEX

	Clause
Compliance with Insurance Policy Conditions	25.4
Compliance with Statutes and Regulations	26.1
Contemporary Records for Claims	53.2
Contract Agreement	9.1
Contract Not Relieved of Duties or Responsibilities	14.4
Contractor's Employees	16.1
Contractor's Employees, Engineer at Liberty to Object	16.2
Contractor's Entitlement to Suspend Work for Employer's Default	69.4
Contractor's Equipment, Conditions of Hire	54.5
Contractor's Equipment, Employer not Liable for Damage	54.2
Contractor's Equipment, Insurance of	21.1
Contractor's Equipment, Reference in Subcontracts	54.7
Contractor's Equipment, Temporary Works and Material; Exclusive Use for the Works	54.1
Contractor's Equipment, Transport of	30.2
Contractor's Failure to Carry Out Instructions	49.4
Contractor's Failure to Insure, Remedy	25.3
Contractor's General Responsibilities	8.1
Contractor's Superintendence	15.1
Contractor to Keep Site Clear	32.1
Contractor to Search	50.1
Correction of Certificates	60.4
Cost of Remedying Defects	49.3
Cost of Samples	36.2
Cost of Tests	35.3
Cost of Tests not Provided for	36.4
Covering up Work, Examination Before	38.1
Cross Liabilities	23.3
Currencies of Payment for Provisional Sums	72.3
Currencies, Rates of Exchange	72.1
Currency Restrictions	71.1
Custody and Supply of Drawings and Documents	6.1
Customs Clearance	54.3
Damage to Persons and Property	22.1
Damage to Roads, Avoidance of	30.1
Damage to Works, Special Risks	65.3
Damages, Liquidated	47.1
Dates for Inspection and Testing	37.3
Daywork	52.4
Decrease or Increase of Costs	70.1
Default of Contractor in Compliance with Instructions on Improper Work	39.2
Default of Contractor, Remedies for	63.1
Default of Employer	69.1
Defective Materials and Work	39.1
Defects, Contractor to Search for, if Required	50.1

INDEX	Clause
Defects, Cost of Remedying	49.3
Defects Liability Certificate	62.1
Defects Liability Period	49.1
Defects, Remedying of	49.2
Definitions	1.1
Delay, Liquidated Damages for	47.1
Delays and Cost of Delay of Drawings	6.4
Design by Nominated Subcontractors	59.3
Discharge	60.7
Discrepancies in Documents	5.2
Dismissal of Contractor's Employees	16.2
Disorderly Conduct, etc.	34.1
Dispute, Engineer's Decision	67.1
Disruption of Progress	6.3
Documents Mutually Explanatory	5.2
Drawings	6&7
Drawings and Documents - Custody and Supply of	6.1
Drawings and Instructions – Supplementary	7.1
Drawing, Copy to be Kept on Site	6.2
Drawings, Delays and Cost of Delay of Drawings	6.4
Drawings, Failure by Contractor to submit	6.5
Employer not liable for Damage to Contractor's Equipment etc.	54.2
Employer's Liability, Cession of	60.9
Employer's Responsibilities	19.2
Employer' Risks	20.4
Engagement of Staff and Labour	34.1
Engineer's Authority to Delegate	2.3
Engineer's Determination Where Tests not Provided for	36.5
Engineer's Duties and Authority	2.1
Engineer to Act Impartially	2.6
Environment – Protection of	19.1
Errors in Setting Out	17.1
Evidence and Terms of Insurance	25.1
Examination of Work before Covering Up	38.1
Exceptions	22.2
Exchange, Rates of	72.1
Exclusions	21.4
Extension of Time, due to Engineer's Failure to give Possession of Site	42.2
Extension of Time for Completion	44.1
Extension of Time for Completion, Contractor's Claims	44.2
Extension of Time for Completion, Engineer's Determination	44.3
Extraordinary Traffic	30.
Facilities for Other Contractors	31.2
Facilities - Rights of Way and	42.3
Failure by Contractor to Submit Drawings	6.5

INDEX	Clause
Failure to Comply with Claims Procedure	53.4
Failure to Comply with Engineer's Decision	67.4
Failure to give Possession of Site	42.2
Faulty Work, Removal of	39.1
Fees and Notices	26.1
Fencing, Watching, Lighting, etc.	19.1
Final Payment Certificate	60.8
Final Statement	60.6
Foreign Currencies, Payment in	72.
Fossils	27.1
Foundations, Examination of	38.1
General Responsibilities of Contractor	8.1
Giving of Notices – Payment of Fees	26.1
Headings and Marginal Notes	1.2
Improper Work and Materials, Removal of	39.1
Increase or Decrease of Costs	70.1
Indemnity by Contractor	22.1 & 24.1
Indemnity by Employer	22.3
Independent Inspection	37.5
Injury to Persons – Damage to Property	22.1
Injury to Workmen	24.1
Inspection and Testing	37.2
Inspection of Testing, Dates for	37.3
Inspection of Foundations, etc.	38.1
Inspection of Operations	37.1
Inspection of Site by Contractor	11.1
Instructions for Variations	51.2
Instructions in Writing	2.5
Instructions, Supplementary	7.1
Insurance, Adequacy of	25.2
Insurance, Evidence and Terms of	25.1
Insurance, Minimum Amount of	23.2
Insurance of Works and Contractor's Equipment	21.1
Insurance, Remedy on Failure to Insurance	25.3
Insurance, responsibility for Amounts not Recovered	21.3
Insurance, Scope of Cover	21.2
Insurance, Third Party	23.1
Insurance, Workmen	24.2
Interference with Traffic and Adjoining Properties	29.1
Interim Determination of Extension	44.3
Interpretations	1.3
Labour, Engagements of	34.1
Language/s and Law	5.1
Law to which Contract Subject	5.1

INDEX

	Clause
Legislation, Subsequent	70.2
Lighting, Fencing, Watching, etc.	19.1
Liquidated Damages for Delay	47.1
Liquidated Damages, Reduction of	47.2
Loss or Damage due to Employer's Risks	20.3
Loss or Damage – Responsibility to Rectify	20.2
Lump-Sum Items – Breakdown of	57.2
Materials and Plant, Transport of	30.3
Materials - Approval of, etc, not Implied	54.8
Materials, Improper – Removal of	39.1
Materials, Quality of	36.1
Materials, Supply of	8.1
Measurement by Engineer	56.1
Measurement, Method of	57.1
Measurement, Quantities Estimated Only	55.1
Methods of Construction	8.2
Minimum Amount of Insurance	23.2
Monthly Payments	60.2
Nominated Subcontractors, Certification of Payments to	59.5
Nominated Subcontractors, Definition	59.1
Nominated Subcontractors, Design by	59.3
Nominated Subcontractors, Objection to Nomination	59.2
Nominated Subcontractors, Payment of	59.4
Not Foreseeable Physical Obstructions or Conditions	12.2
Notice of Claims	53.1
Notices and Fees, Payment of	26.1
Notices, Consents and Approvals	1.5
Notice to Contractor	68.1
Notice to Employer and Engineer	68.2
Objections to Contractor's Employees	16.2
Obstructions or Conditions - Not Foreseeable Physical	12.2
Omissions, Alterations and Additions	59.0
Openings, Uncovering and Making	38.2
Operations, Inspection of	37.1
Order of Work, Contractor to Furnish Program	14.1
Other Contractors, Opportunities for	31.1
Patent Rights	28.1
Payment if Contract Terminated for Contractor's Default	63.3
Payment if Contract Terminated for Employer's Default	69.3
Payment of Claims	53.5
Payment, Time for	60.10
Performance Security	10.1
Performance Security – Claims Under	10.3
Performance Security – Period of Validity	10.2

Period of Defects Liability	49.1
-----------------------------	------

INDEX	Clause
Permanent Works Designed by Contractor	7.2
Physical Obstruction or Conditions – Not Foreseeable	12.2
Physical Obstruction or Conditions – Engineer’s Determination	12.3
Plant and Materials, Transport of	30.3
Plant, Conditions of Hire	54.5
Plant, Customs Clearance	54.3
Plant, Employer not Liable for Damage to	54.2
Plant, etc. – Exclusive Use for the Works	54.1
Plant, Quality of	36.1
Plant, Re-export of	54.4
Plant, Removal of	39.1
Policy of Insurance – Compliance with Conditions	25.4
Possession of Site	42.1
Possession of Site, Failure to Give	42.2
Power of Engineer to Fix rates	52.2
Priority of Contract Documents	5.2
Program to be Submitted	14.1
Progress – Disruption of	6.3
Progress-Rate of	46.1
Protection of Environment	19.1
Provision to Indemnify Contractor	22.3
Provision to Indemnify Employer	22.2
Provisional Sums, Currencies of Payment	72.3
Provisional Sums, Definition	58.1
Provisional Sums, Production of Vouchers	58.3
Provisional Sums, Use of	58.2
Quality of Materials and Workmanship	36.1
Quantities	55.1
Rate of Progress	46.1
Rates of Exchange	72.1
Rates, Power of Engineer to Fix	52.2
Rectification of Loss or Damage	20.2
Reduction of Liquidated Damages	47.2
Re-export of Plant	54.4
Regulations, Status etc. Compliance with	26.1
Rejection	37,4
Release from Performance	66.1
Remedies for Default of Contractor	63.1
Remedying of Defects,	49.2
Remedying of Defects, Cost of	49.3
Remedy on Contractor’s Failure	25.3
Removal of Contractor’s Employees	16.2
Removal of Contractor’s Equipment	69.2

Removal of Improper Work, Materials or Plant	39.1
--	------

INDEX	Clause
Removal of Plant, etc.	65.7
Responsibility to Rectify Loss or Damage	20.2
Responsibility Un-affected by Approval	7.3
Restriction on Working Hours	45.1
Resumption of Work	69.5
Retention Money, Payment of	50.3
Returns of Labour and Contractor's Equipment	35.1
Revised Program	14.2
Rights of Way and Facilities	42.3
Risks, Employer's	20.4
Risks, Special	65.0
Roads, etc. - Damage by Extraordinary Traffic	30.1
Roads, Interference with Access to	29.1
Royalties	28.2
Safety, Security and Protection of the Environment	19.1
Samples, Cost of	36.2
Security, Safety and Protection of the Environment	19.1
Setting Out	17.1
Singular and Plural	1.4
Site, Clearance on Completion	33.1
Site, Contractor to Keep Clear	32.1
Site Inspection by Contractor	11.1
Site Operations and Methods of Construction	8.2
Site, Possession of	42.1
Special Risks	65.0
Staff, Engagement of	34.1
Statement at Completion	60.5
Statement, Final	60.6
Statutes, Regulations, etc. – Compliance with	26.1
Subcontracting	4.1
Subcontractors, Nominated	59.0
Subcontractors, Responsibility of the Contractor for Acts and Default of	4.1
Subsequent Legislation	70.2
Substantial Completion of Sections or Parts	48.3
Sufficiency of Tender	12.1
Supply of Plant, Materials and Labour	8.1
Surfaces Requiring Reinstatement	48.4
Supervision, Engineer's Determination	40.2
Suspension lasting more than 84 days	40.3
Suspension of Work	40.1
Taking Over Certificate	48.1
Taking Over of Sections or Parts	48.2

Tender Documents	11.1
Tender, Sufficiency of	12.1
Termination of Contract by Employer	63.1

INDEX	Clause
Termination of Contract by Employer, Assignment of Benefit	63.4
Terms of Insurance	25.1
Tests, Cost of	36.3
Test not Provide for – Cost of	36.4
Third Part Insurance	23.1
Time for Completion	43.1
Time for Completion, Extension of	44.1
Time for Payment	60.10
Traffic, Extraordinary	30.1
Traffic Interference with	29.1
Traffic Waterborne	30.4
Transport of Contractor’s Equipment and Temporary Works	30.2
Transport of Materials and Plant	30.3
Uncovering Work and Making Openings	38.2
Unfulfilled Obligations	62.2
Urgent Remedial Work	64.1
Valuation at Date of Termination by the Employer	63.2
Variations	51.1
Variations, Daywork Basis	52.4
Variations, Exceeding 15 percent	52.3
Variations, Instructions for	51.2
Variations, Power of the Engineer to Fix Rates	52.2
Variations, Valuation of	51.3
Vouchers Production of	58.3
War, Outbreak of	20.4
Watching and Lighting, etc.	19.1
Waterborne Traffic	30.4
Work, Examination of Before Covering Up	38.1
Work, Improper, Removal of	39.1
Working Hours, Restriction of	45.1
Workmanship, Quality of	36.1
Workmen, Accident or Injury to	24.1
Works, Care of	20.1
Works, Completion of (Defects Liability Certificate)	62.1
Works Commencement of	41.1
Works Insurance of	21.1
Works Remedying of Defects	49.2
Works, Time for Completion of	43.1
Works to be Measured	56.1
Works, Suspension of	40.1
Work to be in Accordance with the Contract	13.1

Part II - Particular Conditions of Contract

TABLE OF CONTENTS**PART II - PARTICULAR CONDITIONS OF CONTRACT**

Clause	Title	Page
1.1	Definitions	130
2.1	Engineer's Duties and Authority	130
2.2	Engineer's Representative	131
2.7	Engineer Not Liable	132
2.8	Replacement of the Engineer	132
5.1	Language(s) and Law	132
5.2	Priority of Contract Documents	132
6.6	Shop Drawings	133
6.7	As-Built Drawings	133
10.1	Performance Security	133
10.4	Performance Security Binding on Variations and Changes	133
14.1	Program to be Submitted	133
14.3	Cash Flow Estimate to be Submitted	134
14.5	Detailed Program and Monthly Progress Report	134
15.2	Language Ability of Contractor's Representative	134
15.3	Contractor's Representative	134
16.3	Language Ability of Superintending Staff of Contractor	135
16.4	Employment of Local Personnel	135
19.4	Lighting Works at Night	135
20.4	Employer's Risks	135
21.4	Exclusions	136
25.5	Insurance Company	136
31.3	Co-operation with Other Contractors	136
34.2	Rates of Wages and Conditions of Labour	136
34.3	Employment of Persons in the Service of Others	137
34.4	Housing for Labour	137
34.5	Health and Safety	137
34.6	Epidemics	137
34.7	Supply of Water	137
34.8	Alcoholic Liquor or Drugs	137
34.9	Arms and Ammunition	137
34.10	Festivals and Religious Customs	138
34.11	Disorderly Conduct	138
34.12	Compliance by Subcontractors	138
35.2	Records of Safety and Health	138
35.3	Reporting of Accidents	138
36.6	Use of Pakistani Materials and Services	138
41.1	Commencement of Works	138
47.3	Bonus for Early Completion of Works	139
48.2	Taking Over of Sections or Parts	139
51.2	Instructions for Variations	139

TABLE OF CONTENTS

PART II - PARTICULAR CONDITIONS OF CONTRACT

Clause	Title	Page
52.1	Valuation of Variations	139
53.4	Failure to Comply	139
54.3	Customs Clearance	139
54.5	Conditions of Hire of Contractor's Equipment	139
59.4	Payments to Nominated Sub-contractors	139
59.5	Certification of Payments & Nominated Subcontractors	140
60.1	Monthly Statements	140
60.10	Time for Payment	140
60.11	Secured Advance on Materials	140
60.12	Financial Assistance to Contractor	141
60.13	Mode of Payment	142
63.1	Default of Contractor	142
65.2	Special Risks	142
67.3	Arbitration	142
68.1	Notice to Contractor	142
68.2	Notice to Employer and Engineer	143
70.1	Increase or Decrease of Cost	143
71.0	Currencies and Rate of Exchange	143
73.1	Payment of Income Tax	143
74.1	Integrity Pact	143
75.1	Termination of Contract for Employer's Convenience	144
76.1	Liability of Contractor	144
77.1	Joint and Several Liability	144
78.1	Details to be Confidential	144

PART II - PARTICULAR CONDITIONS OF CONTRACT

1.1 Definitions

(a) (i) The Employer is **Trading Corporation of Pakistan**

(a) (iv) The Engineer is _____, or any other competent person appointed by the Employer, and notified to the Contractor, to act in replacement of the Engineer. Provided always that except in cases of professional misconduct, the outgoing Engineers is to formulate his certifications/recommendations in relation to all outstanding matters, disputes and claims relating to the execution of the Works during his tenure.

The following paragraph is added:

(a)(vi) "Bidder or Tenderer" means any person or persons, company, corporation, firm or joint venture submitting a Bid or Tender.

(b)(v) The following is added at the end of the paragraph:

The word "Tender" is synonymous with "Bid" and the word "Tender Documents" with "Bidding Documents".

The following paragraph is added:

(b)(ix) "Program" means the Program to be submitted by the Contractor in accordance with Sub-Clause 14.1 and any approved revisions thereto.

(e)(i) The text is deleted and substituted with the following:

"Contract Price" means the sum stated in the Letter of Acceptance as payable to the Contractor for the execution and completion of the Works subject to such additions thereto or deductions therefrom as may be made and remedying of any defects therein in accordance with the provisions of the Contract.

2.1 Engineer's Duties and Authority

With reference to Sub-Clause 2.1(b), the following provisions shall also apply.

The Engineer shall obtain the specific approval of the Employer before carrying out his duties in accordance with the following Clauses:

- (i) Consenting to the sub-letting of any part of the Works under Sub-Clause 4.1 "Subcontracting".
- (ii) Certifying additional cost determined under Sub-Clause 12.2 "Not Foreseeable Physical Obstructions or Conditions".

- (iii) Any action under Clause 10 “Performance Security” and Clauses 21,23,24 & 25 “Insurance” of sorts.
- (iv) Any action under Clause 40 “Suspension”.
- (v) Any action under Clause 44 “Extension of Time for Completion”.
- (vi) Any action under Clause 47 “Liquidated Damages for Delay” or Payment of Bonus for Early Completion of Works (PCC Sub-Clause 47.3).
- (vii) Issuance of “Taking Over Certificate” under Clause 48.
- (viii) Issuing a Variation Order under Clause 51, except:
 - a) in an emergency* situation, as stated herebelow, or
 - b) if such variation would increase the Contract Price by less than the amount stated in the Appendix-A to Bid.
- (ix) Fixing rates or prices under Clause 52.
- (x) Extra payment as a result of Contractor’s claims under Clause 53.
- (xi) Release of Retention Money to the Contractor under Sub-Clause 60.3 “Payment of Retention Money”.
- (xii) Issuance of “Final Payment Certificate” under Sub-Clause 60.8.
- (xiii) Issuance of “Defect Liability Certificate” under Sub-Clause 62.1.
- (xiv) Any change in the ratios of Contract currency proportions and payments thereof under Clause 72 “Currency and Rate of Exchange”.

(Note: Employer may further vary according to need of the project)

* (If in the opinion of the Engineer an emergency occurs affecting the safety of life or of the Works or of adjoining property, the Engineer may, without relieving the Contractor of any of his duties and responsibilities under the Contract, instruct the Contractor to execute all such work or to do all such things as may, in the opinion of the Engineer, be necessary to abate or reduce the risk. The Contractor shall forthwith comply with any such instruction of the Engineer. The Engineer shall determine an addition to the Contract Price, in respect of such instruction, in accordance with Clause 52 and shall notify the Contractor accordingly, with a copy to the Employer.)

2.2 Engineer’s Representative

The following paragraph is added:

The Employer shall ensure that the Engineer's Representative is a professional engineer as defined in the Pakistan Engineering Council Act 1975 (V of 1976)

The following Sub-Clauses 2.7 and 2.8 are added:

2.7 Engineer Not Liable

Approval, reviews and inspection by the Engineer of any part of the Works does not relieve the Contractor from his sole responsibility and liability for the supply of materials, plant and equipment for construction of the Works and their parts in accordance with the Contract and neither the Engineer's authority to act nor any decision made by him in good faith as provided for under the Contract whether to exercise or not to exercise such authority shall give rise to any duty or responsibility of the Engineer to the Contractor, any Subcontractor, any of their representatives or employees or any other person performing any portion of the Works.

2.8 Replacement of the Engineer

“If the Employer intends to replace the Engineer, the Employer shall, not less than 14 days before the intended date of replacement, give notice to the Contractor, of the name, address and relevant experience of the intended replacement Engineer. The Employer shall not replace the Engineer with a person against whom the Contractor raises reasonable objection by notice to the Employer, with supporting particulars.”

5.1 Language(s) and Law

- (a) The Contract Documents shall be drawn up in the English language.
- (b) The Contract shall be subject to the Laws of Islamic Republic of Pakistan.

5.2 Priority of Contract Documents

The documents listed at (1) to (6) of the Sub-Clause are deleted and substituted with the following:

- (a) The Contract Agreement.
- (b) The Letter of Acceptance.
- (c) The Completed Form of Bid.
- (d) Special Stipulations (Appendix-A to Bid).
- (e) The Particular Conditions of Contract – Part II.
- (f) The General Conditions – Part I.
- (g) Special Provisions
- (h) Appendices to Bid (B to L),
- (i) The Priced Bill of Quantities
- (j) The Specifications, Technical Provisions
- (k) The Drawings

In case of discrepancies between drawings, those of larger scale shall govern unless they are superseded by a drawing of later date regardless of scale. All Drawings and Specifications shall be interpreted in conformity with the Contract and these

Conditions. Addendum, if any, shall be deemed to have been incorporated at the appropriate places in the documents forming the Contract.

The following Sub-Clauses 6.6 and 6.7 are added:

6.6 Shop Drawings

The Contractor shall submit to the Engineer for review 3 copies of all shop and erection drawings applicable to this Contract as per provision of relevant Sub-Clause of the Contract.

Review and approval by the Engineer shall not be construed as a complete check but will indicate only that the general method of construction and detailing is satisfactory, and that the Engineer's review or approval shall not relieve the Contractor of any of his responsibilities under the Contract.

6.7 As-Built Drawings

At the completion of the Works under the Contract, the Contractor shall furnish to the Engineer 6 copies and one reproducible of all drawings amended to conform with the Works as built. The price of such Drawings shall be deemed to be included in the Contract Price.

10.1 Performance Security

The text is deleted and substituted with the following:

The Contractor shall provide Performance Security to the Employer in the prescribed form. The said Security shall be furnished or caused to be furnished by the Contractor within 14 days after the receipt of the Letter of Acceptance. The Performance Security shall be of an amount equal up to 10% of the Contract Price stated in the Letter of Acceptance. Such Security shall be in the form of bank guarantee from any Scheduled Bank in Pakistan

The cost of complying with requirements of this Sub-Clause shall be borne by the Contractor.

The following Sub-Clause 10.4 is added:

10.4 Performance Security Binding on Variations and Changes

The Performance Security shall be binding irrespective of changes in the quantities or variations in the Works or extensions in Time for Completion of the Works which are granted or agreed upon under the provisions of the Contract.

14.1 Program to be submitted

The Program shall be submitted within 14 days from the date of receipt of Letter of Acceptance, which shall be in the form of:

- i) a Bar Chart identifying the critical activities.
- ii) a CPM identifying the critical path/activities.
(Employer to select appropriate one)

14.3 Cash Flow Estimate to be Submitted

The detailed Cash Flow Estimate shall be submitted within 21 days from the date of receipt of Letter of Acceptance

The following Sub-Clause 14.5 is added:

14.5 Detailed Program and Monthly Progress Report

- a) For purposes of Sub-Clause 14.1, the Contractor shall submit to the Engineer detailed Program for the following:
 - (1) Execution of Works.
 - (2) Labour Employment.
 - (3) Local Material Procurement.
 - (4) Material Imports, if any; and
 - (5) Other details as required by the Engineer.
- (b) During the period of the Contract, the Contractor shall submit to the Engineer not later than the 8th day of the following month, 10 copies each of Monthly Progress Reports covering:
 - (1) A Construction Schedule indicating the monthly progress in percentage.
 - (2) Description of all work carried out since the last report.
 - (3) Description of the work planned for the next 56 days sufficiently detailed to enable the Engineer to determine his Program of inspection and testing.
 - (4) Monthly summary of daily job record.
 - (5) Photographs to illustrate progress; and
 - (6) Information about problems and difficulties encountered, if any, and proposals to overcome the same.
- (c) During the period of the Contract, the Contractor shall keep a daily record of the work progress, which shall be made available to the Engineer as and when requested. The daily record shall include particulars of weather conditions, number of men working, deliveries of materials, quantity, location and assignment of Contractor's equipment.

The following Sub-Clauses 15.2 and 15.3 are added:

15.2 Language Ability of Contractor's Representative

The Contractor's authorised representative shall be fluent in the English language. Alternately an interpreter with ability of English language shall be provided by the Contractor on full time basis.

15.3 Contractor's Representative

The Contractor's authorised representative and his other professional engineers working at Site shall register themselves with the Pakistan Engineering Council.

The Contractor's authorised representative at Site shall be authorised to exercise adequate administrative and financial powers on behalf of the Contractor so as to achieve completion of the Works as per the Contract.

The following Sub-Clauses 16.3 and 16.4 are added:

16.3 Language Ability of Superintending Staff of Contractor

A reasonable proportion of the Contractor's superintending staff shall have a working knowledge of the English language. If the Contractor's superintending staff are not fluent in English language, the Contractor shall make competent interpreters available during all working hours in a number deemed sufficient by the Engineer.

16.4 Employment of Local Personnel

The Contractor is encouraged, to the extent practicable and reasonable, to employ staff and labour from sources within Pakistan.

The following Sub-Clauses 19.3 is added:

19.3 Lighting Work at Night

In the event of work being carried out at night, the Contractor shall at his own cost, provide and maintain such good and sufficient light as will enable the work to proceed satisfactorily and without danger. The approaches to the Site and the Works where the night-work is being carried out shall be sufficiently lighted. All arrangement adopted for such lighting shall be to the satisfaction of the Engineer's Representative.

20.4 Employer's Risks

The Employer's risks are:

Delete the text and substitute with the following:

- (a) insofar as they directly affect the execution of the Works in Pakistan:
 - (i) war and hostilities (whether war be declared or not), invasion, act of foreign enemies,
 - (ii) rebellion, revolution, insurrection, or military or usurped power, or civil war,
 - (iii) ionizing radiations, or contamination by radioactivity from any nuclear fuel, or from any nuclear waste from the combustion of nuclear fuel, radioactive toxic explosive or other hazardous properties of any explosive nuclear assembly or nuclear component thereof,
 - (iv) pressure waves caused by aircraft or other aerial devices travelling at sonic or supersonic speeds,
 - (v) riot, commotion or disorder, unless solely restricted to the employees of the

Contractor or of his Subcontractors and arising from the conduct of the Works.

- (b) loss or damage due to the use or occupation by the Employer of any Section or part of the Permanent Works, except as may be provided for in the Contract.
- (c) loss or damage to the extent that it is due to the design of the Works, other than any part of the design provided by the Contractor or for which the Contractor is responsible; and
- (d) any operation of the forces of nature (insofar as it occurs on the Site) which an experienced contractor:
 - (i) could not have reasonably foreseen, or
 - (ii) could reasonably have foreseen, but against which he could not reasonably have taken at least one of the following measures:
 - (a) prevent loss or damage to physical property from occurring by taking appropriate measures, or
 - (b) insure against.

21.4 Exclusions

The text is deleted and substituted with the following:

There shall be no obligation for the insurances in Sub-Clause 21.1 to include loss or damage caused by the risks listed under Sub-Clause 20.4 paras (a) (i) to (iv).

The following Sub-Clause 25.5 is added:

25.5 Insurance Company

The Contractor shall be obliged to place all insurances relating to the Contract (including, but not limited to, the insurances referred to in Clauses 21, 23 and 24) with either National Insurance Company of Pakistan or any other insurance company operating in Pakistan and acceptable to the Employer.

Costs of such insurances shall be borne by the Contractor.

The following Sub-Clause 31.3 is added:

31.3 Co-operation with other Contractors

During the execution of the Works, the Contractor shall co-operate fully with other contractors working for the Employer at and in the vicinity of the Site and also shall provide adequate precautionary facilities not to make himself a nuisance to local residents and other contractors.

The following Sub-Clauses 34.2 to 34.12 are added:

34.2 Rates of Wages and Conditions of Labour

The Contractor shall pay rates of wages and observe conditions of labour not less favourable than those established for the trade or industry where the work is carried out. In the absence of any rates of wages or conditions of labour so established, the Contractor shall pay rates of wages and observe conditions of labour which are not less favourable than the general level of wages and conditions observed by other employers whose general circumstances in the trade or in industry in which the Contractor is engaged are similar.

34.3 Employment of Persons in the Service of Others

The Contractor shall not recruit his staff and labour from amongst the persons in the services of the Employer or the Engineer; except with the prior written consent of the Employer or the Engineer, as the case may be.

34.4 Housing for Labour

Save insofar as the Contract otherwise provides, the Contractor shall provide and maintain such housing accommodation and amenities as he may consider necessary for all his supervisory staff and labour, employed for the purposes of or in connection with the Contract including all fencing, electricity supply, sanitation, cookhouses, fire prevention, water supply and other requirements in connection with such housing accommodation or amenities. On completion of the Contract, these facilities shall be handed over to the Employer or if the Employer so desires, the temporary camps or housing provided by the Contractor shall be removed and the Site reinstated to its original condition, all to the approval of the Engineer.

34.5 Health and Safety

Due precautions shall be taken by the Contractor, and at his own cost, to ensure the safety of his staff and labour at all times throughout the period of the Contract. The Contractor shall further ensure that suitable arrangements are made for the prevention of epidemics and for all necessary welfare and hygiene requirements.

34.6 Epidemics

In the event of any outbreak of illness of an epidemic nature, the Contractor shall comply with and carry out such regulations, orders and requirements as may be made by the Government, or the local medical or sanitary authorities, for purpose of dealing with and overcoming the same.

34.7 Supply of Water

The Contractor shall, so far as is reasonably practicable, having regard to local conditions, provide on the Site, to the satisfaction of the Engineer or his representative, adequate supply of drinking and other water for the use of his staff and labour.

34.8 Alcoholic Liquor or Drugs

The Contractor shall not, otherwise than in accordance with the Statutes, Ordinances and Government Regulations or Orders for the time being in force, import, sell, give, barter or otherwise dispose of any alcoholic liquor or drugs, or permit or suffer any such importation, sale, gift, barter or disposal by his Subcontractors, agents, staff or labour.

34.9 Arms and Ammunition

The Contractor shall not give, or otherwise dispose of to any person or persons, any arms or ammunition of any kind or permit or suffer the same as aforesaid.

34.10 Festivals and Religious Customs

The Contractor shall in all dealings with his staff and labour have due regard to all recognised festivals, days of rest and religious and other customs.

34.11 Disorderly Conduct

The Contractor shall at all times take all reasonable precautions to prevent any unlawful, riotous or disorderly conduct by or amongst staff and labour and for the preservation of peace and protection of persons and property in the neighbourhood of the Works against the same.

34.12 Compliance by Subcontractors

The Contractor shall be responsible for compliance by his Subcontractors of the provisions of this Clause.

The following Sub-Clauses 35.2 and 35.3 are added:

35.2 Records of Safety and Health

The Contractor shall maintain such records and make such reports concerning safety, health and welfare of persons and damage to property as the Engineer may from time to time prescribe.

35.3 Reporting of Accidents

The Contractor shall report to the Engineer details of any accident as soon as possible after its occurrence. In the case of any fatality or serious accident, the Contractor shall, in addition, notify the Engineer immediately by the quickest available means.

The following Sub-Clause 36.6 is added:

36.6 Use of Pakistani Materials and Services

The Contractor shall, so far as may be consistent with the Contract, make the maximum use of materials, supplies, plant and equipment indigenous to or produced or fabricated in Pakistan and services, available in Pakistan provided such materials,

supplies, plant, equipment and services shall be of required standard.

41.1 Commencement of Works

The text is deleted and substituted with the following:

The Contractor shall commence the Works on Site within the period named in Appendix-A to Bid from the date of receipt by him from the Engineer of a written Notice to Commence. Thereafter, the Contractor shall proceed with the Works with due expedition and without delay.

The following Sub-Clause 47.3 is added:

47.3 Bonus for Early Completion of Works

No bonus for early completion of work

48.2 Taking Over of Sections or Parts

For the purposes of para (a) of this Sub-Clause, separate Times for Completion shall be provided in the Appendix-A to Bid “Special Stipulations”.

51.2 Instructions for Variations

At the end of the first sentence, after the word “Engineer”, the words “in writing” are added.

52.1 Valuation of Variations

In the tenth line, after the words “Engineer shall” the following is added:
within a period not exceeding one-eighth of the completion time subject to a minimum of 56 days from the date of disagreement whichever is later.

53.4 Failure to Comply

This Sub-Clause is deleted in its entirety.

54.3 Customs Clearance

The following text is added:

However, all the expenses and activities related to custom clearance is responsibility of the Contractor

54.5 Conditions of Hire of Contractor’s Equipment

The following paragraph is added:

The Contractor shall, upon request by the Engineer at any time in relation to any item

of hired Contractor's Equipment, forthwith notify the Engineer in writing the name and address of the Owner of the equipment and shall certify that the agreement for the hire thereof contains a provision in accordance with the requirements set forth above.

The following Sub-Clauses 59.4 & 59.5 are added:

59.4 Payments to Nominated Subcontractors

The Contractor shall pay to the nominated Subcontractor the amounts which the Engineer certifies to be due in accordance with the subcontract. These amounts plus other charges shall be included in the Contract Price in accordance with Clause 58 [Provisional Sums], except as stated in Sub-Clause 59.5 [Certification of Payments].

59.5 Certification of Payments & Nominated Subcontractors

Before issuing a Payment, Certificate which includes an amount payable to a nominated Subcontractor, the Engineer may request the Contractor to supply reasonable evidence that the nominated Subcontractor has received all amounts due in accordance with previous Payment Certificates, less applicable deductions for retention or otherwise. Unless the Contractor:

- a) submits reasonable evidence to the Engineer, or
- b)
 - i) satisfies the Engineer in writing that the Contractor is reasonably entitled to withhold or refuse to pay these amounts, and
 - ii) submits to the Engineer reasonable evidence that the nominated Subcontractor has been notified of the Contractor's entitlement,

then the Employer may (at his sole discretion) pay direct to the nominated Subcontractor, part or all of such amounts previously certified (less applicable deductions) as are due to the nominated Subcontractor and for which the Contractor has failed to submit the evidence described in sub-paragraphs (a) or (b) above. The Contractor shall then repay, to the Employer, the amount which the nominated Subcontractor was directly paid by the Employer.

60.1 Monthly Statements

In the first line after the word "shall", the following is added:

"On the basis of the joint measurement of work done under Clause 56.1,"

In Para (c) the words "the Appendix to Tender" are deleted and substituted with the words "Sub-Clause 60.11 (a)(6) hereof".

(In case Clause 60.11 is applicable)

60.10 Time for Payment

The text is deleted and substituted with the following:

The amount due to the Contractor under any Interim Payment Certificate issued by the Engineer pursuant to this Clause, or to any other terms of the Contract, shall ,

subject to Clause 47, be paid by the Employer to the Contractor within 30 days after such Interim Payment Certificate has been jointly verified by Consultant/Employer and Contractor, or, in the case of the Final Certificate referred to in Sub Clause 60.8, within 60 days after such Final Payment Certificate has been jointly verified by Consultant/Employer and Contractor.

The following Sub-Clause 60.11 is added:

60.11 Mode of Payment

The payments shall be released by the Employer to the Contractor, at Employer's choice, either in the form of Cheque/(s) drawn in the favour of the Contractor or in the form of Irrevocable Inland Letter of Credit (LC) opened in the favour of Contractor. If letter of credit is opened in favour of contractor, the cost (commission and bank charges) of L/C shall be the responsibility of the Contractor

63.1 Default of Contractor

The following para is added at the end of the Sub-Clause:

Provided further that in addition to the action taken by the Employer against the Contractor under this Clause, the Employer may also refer the case of default of the Contractor to Pakistan Engineering Council for punitive action under the Construction and Operation of Engineering Works Byelaws 1987, as amended from time to time.

65.2 Special Risks

The text is deleted and substituted with the following:

The Special Risks are the risks defined under Sub-Clause 20.4 sub paragraphs (a) (i) to (a) (v).

67.3 Arbitration

In the sixth to eight lines, the words "shall be finally settled appointed under such Rules" are deleted and substituted with the following:

shall be finally settled under the provisions of the Arbitration Act, 1940 as amended or any statutory modification or re-enactment thereof for the time being in force.

The following paragraph is added:

The place of arbitration shall be Trading Corporation of Pakistan, Karachi/Gwadar, Pakistan.

68.1 Notice to Contractor

The following paragraph is added:

For the purposes of this Sub-Clause, the Contractor shall, immediately after receipt of Letter of Acceptance, intimate in writing to the Employer and the Engineer by

registered post, the address of his principal place of business or any change in such address during the period of the Contract.

68.2 Notice to Employer and Engineer

For the purposes of this Sub-Clause, the respective addresses are:

a) The Employer:

b) The Engineer:

70.1 Increase or Decrease of Cost

Sub-Clause 70.1 is deleted in its entirety, and substituted with the following:
Price adjustment is not applicable to this project.

71.0 Currency and Rates of Exchange

Sub-Clauses 71.1, 72.1, 72.2 and 72.3 are deleted entirely and substituted with the following:

Contract is based on Pakistani Rupees (PKR) and payments will be made only in Pakistani Rupees (PKR)

The following Sub-Clauses 73.1, 74.1, 75.1, 76.1, 77.1 and 78.1 are added:

73.1 Payment of Income Tax

The Contractor, Subcontractors and their employees shall be responsible for payment of all their income tax, super tax and other taxes on income arising out of the Contract and the rates and prices stated in the Contract shall be deemed to cover all such taxes as per prevailing laws.

74.1 Integrity Pact

If the Contractor or any of his Subcontractors, agents or servants is found to have violated or involved in violation of the Integrity Pact signed by the Contractor as Appendix-L to his Bid, then the Employer shall be entitled to:

- (a) recover from the Contractor an amount equivalent to ten times the sum of any commission, gratification, bribe, finder's fee or kickback given by the Contractor or any of his Subcontractors, agents or servants.
- (b) terminate the Contract; and
- (c) recover from the Contractor any loss or damage to the Employer as a result of such termination or of any other corrupt business practices of the Contractor or any of his Subcontractors, agents or servants.

The termination under Sub-Para (b) of this Sub-Clause shall proceed in the manner prescribed under Sub-Clauses 63.1 to 63.4 and the payment under Sub-Clause 63.3 shall be made after having deducted the amounts due to the Employer under Sub-Para (a) and (c) of this Sub-Clause.

75.1 Termination of Contract for Employer's Convenience

The Employer shall be entitled to terminate the Contract at any time for the Employer's convenience after giving 56 days prior notice to the Contractor, with a copy to the Engineer. In the event of such termination, the Contractor:

- (a) shall proceed as provided in Sub-Clause 65.7 hereof; and
- (b) shall be paid by the Employer as provided in Sub-Clause 65.8 hereof.

76.1 Liability of Contractor

The Contractor or his Subcontractors or assigns shall follow strictly, all relevant labour laws including the Workmen's Compensation Act and the Employer shall be fully indemnified for all claims, damages etc. arising out of any dispute between the Contractor, his Subcontractors or assigns and the labour employed by them.

77.1 Joint and Several Liability

If the Contractor is a joint venture of two or more persons, all such persons shall be jointly and severally bound to the Employer for the fulfilment of the terms of the Contract and shall designate one of such persons to act as leader with authority to bind the joint venture. The composition or the constitution of the joint venture shall not be altered without the prior consent of the Employer.

78.1 Details to be Confidential

The Contractor shall treat the details of the Contract as private and confidential, save in so far as may be necessary for the purposes thereof, and shall not publish or disclose the same or any particulars thereof in any trade or technical paper or elsewhere without the prior consent in writing of the Employer or the Engineer. If any dispute arises as to the necessity of any publication or disclosure for the purpose of the Contract, the same shall be referred to the decision of the Engineer whose award shall be final.

PART II –PARTICULAR CONDITIONS OF CONTRACT

Index	Clause
Alcoholic Liquor or Drugs	34.8
Arbitration	67.3
Arms and Ammunition	34.9
As-Built Drawings	6.7
Bonus for Early Completion of Works	47.3
Cash Flow Estimate to be Submitted	14.3
Commencement of Works	41.1
Compliance by Sub-Contractors	34.12
Conditions of Hire of Contractor's Equipment	54.5
Contractor's Representative	15.3
Co-operation with Other Contractors	31.3
Customs Clearance	54.3
Customs Duty and Taxes	73.2
Default of Contractor	63.1
Definitions	1.1
Detailed Program and Monthly Progress Report	14.5
Details to be Confidential	78.1
Disorderly Conduct	34.11
Employer's Risks	20.4
Employment of Local Personnel	16.4
Employment of Persons in the Service of Others	34.3
Engineer Not Liable	2.7
Engineer's Duties and Authority	2.1
Engineer's Representative	2.2
Epidemics	34.6
Exclusions	21.4
Failure to Comply	53.4
Festivals and Religious Customs	34.10
Financial Assistance to Contractor	60.11
Health and Safety	34.5
Housing for Labour	34.4
Increase or Decrease of Cost	70.1
Instructions for Variations	51.2
Insurance of Works and Contractor's Equipment	21.1
Insurance Company	25.5
Integrity Pact	74.1
Joint and Several Liability	77.1
Language Ability of Contractor's Representative	15.2
Language Ability of Superintending Staff of Contractor	16.3
Language(s) and Law	5.1
Liability of Contractor	76.1

Index	Clause
Lighting Work at Night	19.4
Monthly Statements	60.1
Notice to Contractor	68.1
Notice to Employer and Engineer	68.2
Payment of Income Tax	73.1
Payments of Nominated Subcontractors	59.4
Performance Security	10.1
Performance Security Binding on Variation and Changes	10.4
Priority of Contract Documents	5.2
Program to be Submitted	14.1
Rates of Wages and Conditions of Labour	34.2
Records of Safety and Health	35.2
Replacement of the Engineer	2.8
Reporting of Accidents	35.3
Safety Precautions	19.3
Secured Advance on Materials	60.11
Shop Drawings	6.6
Special Risks	65.2
Supply of Water	34.7
Taking Over of Sections or Parts	48.2
Termination of Contract for Employer's Convenience	75.1
Time for Payment	60.10
Use of Pakistani Materials and Services	36.6
Valuation of Variations	52.1



TRADING CORPORATION OF PAKISTAN

OPTION-1

(12 mm TEMPERED GLASS PARTITION)

**RENOVATION OF TCP OFFICE AT GAWADAR,
BALOCHISTAN**

(TOTAL COVERED AREA 2990 SFT)

BOQ

FEB 2024



Head Office: Office # B-6, 2nd Floor, Masood Arcade, IJP Road, Islamabad.
Tel: 051 4848375, Fax: 0514848375, E-mail: newvisionec@yahoo.com
Regional Office: 287-A, Street # 6, Cavalry Ground, Lahore. Tel: 042 37250130

RENOVATION OF TCP OFFICE AT GAWADAR , BALOCHISTAN
(TOTAL COVERED AREA 2990 SFT)

BOQ

SUMMARY OF COST

Sr. No.	DESCRIPTION	AMOUNT
1.	CIVIL WORKS	
2.	PUBLIC HEALTH WORKS	
3.	ELECTRIC WORKS	
	TOTAL AMOUNT	
	Add 5% BRA	
	GRAND TOTAL AMOUNT	

Amount in Words:

RENOVATION OF TCP OFFICE AT GAWADAR , BALOCHISTAN

(TOTAL COVERED AREA 2990 SFT)

BOQ

CIVIL WORKS

Sr. No.	Item No.	Description of Item	Unit	Qty	Rate	Amount
1	4-14-(a)	Dismantling cement block masonry upto 8" width	P.Cft	234.5		
2	4-30-(c)	Dismantling cement tiled/terrazzo floor in basement, plinth and ground floor including base mortar and staking salvaged material (serviceable) and disposing of surplus stuff as directed within 300 ft. (90 m.	P.Sft	778.0		
3	3-21-(a)-(ii)	Excavation in foundation of buildings and bridges including layout, dressing, refilling around structures with excavated earth, watering & ramming lead upto 100 ft. (30m) & lift upto 5 ft. (1.5m) a) By Manual: in ordinary soil.	P.Cft	437.7		
4	Mar-69	Spraying approved anti-termite chemical mixed with water in the ratio of 1:40	P.Sft	3525.9		
5	5-08-(e)	Providing and laying cement concrete using approved coarse sand and crushed aggregate 3/4" (19mm) & down gauge in foundation including leveling, compacting and curing. e) 1 : 4 : 8	P.Cft	144.1		
6	5-12-(a)	Providing and laying in situ cement concrete using approved coarse sandsand and crushed aggregate having maximum size upto 3/4" (19mm) and down gauge in foundation including formwork using wooden braces and without wall ties, compaction, curing and removal of formwork a) 1 : 2 : 4	P.Cft	85.4		
7	5-16-(a)	Providing and laying 1:2:4 cement concrete using approved coarse sand and crushed aggregate 3/4" (19mm) and down gauge in beams, lintels and cantilevers of required shape or section including formwork and its removal compacting and curing in basement and ground floor.	P.Cft	13.2		
8	5-17-(a)-(i)	Providing and laying 1:2:4 cement concrete using approved coarse sand and crushed aggregate 3/4" (19mm) and down gauge in slabs including formwork and its removal, compacting and curing Upto 6" (150 mm) thickness.	P.Cft	17.1		
9	5/65 (a)	Providing, fabricating and laying deformed Grade 60 steel reinforcement (deformed bar) for all kinds of R.C.C work in foundation, plinth and ground floor including the cost of straightening ,removal of rust, cutting, bending, binding, wastage and providing such over-lapses are not shown on the drawings. The cost of binding wire and cement concrete spacer blocks or chairs for binding and holding the reinforcement in position is inclusive upto 15 ft. (5m) height	P.Tone	0.42		
10	9-7-c -(iii)	Providing and laying 1:3:6 cement concrete block masonry using Coarse Sand and Approved crushed aggregate 3/4" (19mm) and down gauge in ground floor super structure including scaffolding, raking out joints and curing 1:5 cement 8" (200 mm) thick solid block masonry	P.Cft	399.0		
11	3-16-(a)	Filling, watering and compacting earth under floor sin layers not exceeding 8inchs in thickness. With surplus earth from foundation etc.	P.Cft	145.9		
12	9-7-c -(iii)	Providing and laying 1:3:6 cement concrete block masonry using Coarse Sand and Approved crushed aggregate 3/4" (19mm) and down gauge in ground floor super structure including scaffolding, raking out joints and curing 1:5 cement 8" (200 mm) thick solid block masonry	P.Cft	771.8		
13	9-7-b -(iii)	Providing and laying 1:3:6 cement concrete block masonry using Coarse Sand and Approved crushed aggregate 3/4" (19mm) and down gauge in ground floor super structure including scaffolding, raking out joints and curing 1:5 cement 6" (150 mm) thick solid block masonry	P.Cft	256.2		
14	15-3-iv	1/2 inch (13mm) thick cement plaster using Coarse Sand on walls and columns in basement, plinth and ground floor including making edges, corners and curing. (Internal Ground Floor)	P.Sft	1024.9		
15	15-4-iii	3/4 inch (19mm) thick cement plaster using Coarse Sand on walls and columns in basement, plinth and ground floor including making edges, corners and curing. (External Ground Floor)	P.Sft	1392.0		
16	17-60-a	Distempering with Berger/ ICI or equivalent synthetic vinyl emulsion paint of approved shade on old surface of walls and ceiling including dusting, sand papering and cleaning in basement and ground floor.a) One coat (@ atleast 1.25 Kg per 10 Sq.m)	P.Sft	2808.00		

Sr. No.	Item No.	Description of Item	Unit	Qty	Rate	Amount
17	17-61-b	Applying weather resistant paint coating such as ICI/ Berger or equivalent paint of approved shade on old surface of walls and ceiling including dusting, sand papering and cleaning, scaffolding and removal of debris. b) Two coats(@ atleast 2.25 Litre per 10 Sq.m)	P.Sft	5400.00		
18	11-61-1	Supplying and filling with sand excavated from outside, lead upto 25 km including royalty of sand, no additional lead shall be paid without prior approval of Engineer incharge.	P.Cft	466.2		
19	5-(1)	Dry ramming brick/ stone ballast 1-1/2" to 2" (40mm to 50mm) gauge.	P.Cft	466.2		
20	14-1-(b)	Providing and laying hand mixed cement concrete bed 1:5:10 under floors using graded Crushed Aggregate upto 1-1/2" (37 mm) and down gauge complete with leveling, ramming, watering and curing. (b) 1 : 4 : 8	P.Cft	235.9		
21	14-2-(a)-(ii)	Providing and laying 1:2:4 cement concrete floor using using crushed aggrgate 3/4" (19mm) and down gauge in ground floor laid in panels including formwork, consolidation, finishing and curing:-2" (50 mm) nominal thick flooring	P.Sft	216.7		
22	C-15-58-b	Providing and fixing Gypsum Board false ceiling of approved size and texture consisting of imported powder coated aluminum angle and tee framing (size 1" x 1") hunged by approved suspension system, including provision of extra framing for lights fittings, A/C diffusers and around columns, etc, complete in all respectas directed by the Engineer. b) 1/2" thick laminated gypsum board	P.Sft	2777.6		
23	C-13-10	Providing Khurras on roof 24" x 24" x 2" (600mm x 600mm x 50mm) size including water proofing admixture @ 2 % of cement content or as otherwise advised by manufacturer	Each	5.0		
24	14-73-a	Providing and laying Vitrified/ Porcelain tiles in floor with different sizes, Glazed or Matt, local or imported as directed by the Engineer-In-Charge, laid with 6mm thick layer of cement based high polymer modified quick set tile adhesive (water based) with a Base Price= Rs. 2250 per Sq.M. (It may be noted that reduction in the rate shall be made accordingly if the cost of purchase of tile is less than the base price).	P.Sft	598.00		
25	14-74-a	Providing and laying Vitrified/ Porcelain tiles in dado/skirting on ground floor with different sizes, Glazed or Matt, local (master or equivalent as directed by the Engineer-In-Charge, laid with 6mm thick layer of cement based high polymer modified quick set tile adhesive (water based) with a Base Price= Rs. 2250 per Sq.M. (It may be noted that reduction in the rate shall be made accordingly if the cost of purchase of tile is less than the base price).	P.Sft	82.50		
26	14-25-a	Providing and laying 1/4" to 3/8" (6mm to 9mm) thick Glazed/ Matt tiles of any colour and size in ground floor laid over 1" (25mm) thick cement sand mortar base including jointing and washing the tiles with white cement slurry of matching color by using color pigment and curing	P.Sft	180.00		
27	14-64-a	Providing and fixing 1/4" to 3/8" (6mm to 9mm) thick Ceramic Glazed/Matttiles (Prime Quality)of any colour and size, as directed by Engineer-in-Charge in dado/skirting in ground floor over 1/2" (13mm) thick base of cement mortar 1:3, setting of tiles in slurry of grey cement over mortar base including filling the joints and washing the tiles with white cement slurry of matching color, cleaning &curing.	P.Sft	735.00		
28	14-70	Providing and laying 3/4"(19mm) thick Granite polished tiles of any size on floor of approved design in any color, shade and pattern in ground floor over 3/8" thick base cement sand mortar 1:3 including setting the tiles with portland cement slurry over cement sand jointing and washing the tiles with cement slurry of matching color including grinding, rubbing, polishing & mortar cost. a) Granite black (local)	P.Sft	51.74		
29	16-97-1	Providing and fixing factory made uPVC door frame made of uPVC extruded sections having an overall dimension as below (tolerance ±1mm), with wall.	P.Rft	57.00		
30	16-98-1	Providing and fixing 30 mm thick factory made Polyvinyl Chloride (PVC) door shutter made of styles and rails of a uPVC hollow section of size 60x30 mm and wall thickness 2 mm (±)	P.Sft	52.50		
31	16-66-f	Providing and fixing Hydraulic door closer, New star make of approved design including cutting wood to required shape and size with two operating keys.	Each	3.00		
32	28-26-a	Providing and fixing fully glazed partly fixed and partly hung or sliding aluminium windows (Deluxe model - 1.6mm) of anodized champagne or approved color of Prime, Chawal, Alcop, Pakistan Cable or any approved section as approved by Engineer Incharge including aluminium fittings, local tinted glass, lugs, cutting holes and making good the damages to walls	P.Sft	32.0		

Sr. No.	Item No.	Description of Item	Unit	Qty	Rate	Amount
33	28-26-b	Providing and fixing fixed or sliding fibre wire gauze in aluminium frame as approved by Engineer incharge including aluminium fittings etc	P.Sft	32.0		
34	17-61-c	Painting with ICI/Berger or equivalent super gloss synthetic enamel paint in two or more coats as per manufacturer's instructions on wood work over and including the cost of priming coat, surface preparation, rubbing down smooth, knotted, filling cracks, holes and joints in ground floor or basement. c) Three coats (@ atleast 3.00 Litre per 10 Sq.m)	P.Sft	185.40		
35	8-(4)	Providing and laying 1" (25.4 mm) thick damp proof course with 1:2:4 cement concrete Coarse Sand and crushed aggregate 1/2" (13mm) and down gauge including applying a coat of hot bitumen 80/100 or equivalent using 1.71 Kg per sq.m. and laying single layer of polythene sheet 0.13 mm thick (500 gauge) on damp proof course, including cleaning surface and spraying.	P.Sft	42.7		
36	8-19-a	Providing and laying polythene sheet 0.13 mm thick under floors for water proofing laid as per instructions of the Engineer in ground floor. a) Single layer	P.Sft	85.4		
37	28-45 + 28-46	Fabrication of heavy steel work with angle, tees, flat iron, round iron and sheet iron for making trusses, girders, tanks etc. including cutting, drilling riveting, handling, assembling and fixing including erection in position.	P.Kg	483.43		
38	17-13-1	Painting by spray machine ICI/Berger or equivalent super gloss synthetic enamel paint in two or more coats as per manufacturer's instructions on steel and iron work over and including the cost of priming coat, surface preparation, removing rust, scales and dust with wire brush in ground floor or basement. (@ atleast 1.56 Litre per 10 Sq.m)	P.Sft	499.00		
39	28-88	Providing and fixing 12 mm tempered Glass Door and partition wall supported by Stainless Steel brackets and Door supported by Floor mounted Hinges Dorma or equivalent Aluminium Bottom and Top rail along including door Handles cutting holes cost of fabrication and making good the damages to walls.	P.Sft	1604.96		
40	C-1/1	Carriage of 100 Cft. (2.83 cu.m) of all materials like Clay, stone aggregate, spawl, kankar lime (unslaked), surkhi, etc. or 150 Cft. (4.25 cu.m) of timber, by truck or by any other means owned by the contractor. 25 % Extra to be paid for hilly area, 25% Extra for Hard Area, 20% more for Kucha Road, 15% more for desert road. (Lead will be paid as per actual but not more than 150km)	%Cft	638.07		
Total of SOR Items						
1	NSI	Providing and applying wall putty of 2mm thickness over plastered surface (new surface) to prepare the surface even and smooth complete in all respect.	P.Sft	5616.00		
2	NSI	Providing and fixing Vin board cabinet 3/4" thick with drawers 3" deep in 'Kitchen including termite proofing and polishing with synthetic enamel as specified, with handles hinges,screws etc., complete in all respects. iv) 2' deep,with back	P.Sft	132.00		
3	NSI	Providing and installing windows horizontal roller blinds including all hardware required complete in all respect as approved & direction by the Engineer Incharge.	P.Sft	220.1		
4	NSI	Providing and fixing stainless steel mesh of 16 guage fixed with nails for concrete and bricks joint complete in all respect and as approved and directed by the Engineer Incharge.	P.Sft	500.00		
5	NSI	Providing and mixing super plasticizer (water reducing admixture) as defined in ASTM C-94 in order to achieve the required consistancy / workability measured by the slump, used in the ratio of (0.05% to 1.00%) by weight of cement as proposed by the designer etc complete in all respect.	P.Ltr	14.41		
6	NSI	Supplying and filling Epoxy adhesive (sikadur 31 or equivalent) in cracks on walls and concrete including cost of cleaning and preparing the crack for filling complete in all respect as per instructions of Engineer Incharge.	P.Kg	5.00		
7	NSI	Dismantling floor, plaster, brickwork, scraping old paint, tiles, PHE old fixtures and pipes and electrical points e.t.c or any other work required to be dismantled including stacking useful material at designated place making record of items and dumping malba at outside approved location making place workable complete in all respect as per direction and approval of engineer incharge.	P.Job	1.00		
Total of Non SOR Items						

Sr. No.	Item No.	Description of Item	Unit	Qty	Rate	Amount
Grand Total of Civil Works						

RENOVATION OF TCP OFFICE AT GAWADAR , BALOCHISTAN

(TOTAL COVERED AREA 2990 SFT)

BOQ

ELECTRICAL WORKS

Sr. No.	Item No.	Description of Item	Unit	Qty	Rate	Amount
1		WIRING IN CONCEALED CONDUITS				
i)		Switch to Point				
		Concealed/open wiring from point to switch with length upto 30 ft. (10m) including any switch to switch wiring with 3x1.5 Sq.mm PVC insulated single core copper conductor Pakistan Cables, Pioneer, Newage or approved equivalent cables				
	ch/30/3 (a)	Concealed wiring with 3/4" (20 mm) dia. PVC conduit and accessories such as bends, elbows, junction boxes etc	Point	6		
ii)		Point to point wiring				
		Concealed/open wiring from point to point with length upto 10 ft. (3m) with 3x1.5 Sq.mm PVC insulated single core copper conductor Pakistan Cables, Pioneer, Newage or approved equivalent cables				
	ch/30/4 (a)	Concealed wiring with 3/4" (20 mm) dia. PVC conduit and accessories such as bends, elbows, junction boxes etc	Point	36		
iii)		Socket to Socket				
	ch/30/10	Wiring of 5 Amps. socket outlet with 2.5 sq.mm PVC insulated single core copper conductor cable including 3/4" (20mm) dia. PVC conduit, 8.7sq.mm (10SWG) copper wire as earth continuity conductor and wiring accessories such as bends, elbows, junction boxes etc.	R.mtr	40		
2		MISCELLANEOUS FITTINGS				
		Providing and fixing Copper winded Exhaust fan with louver and shutter made of Pak/Younas/G.F.C. i/c the cost of necessary cable and hardware for connection from ceiling rose complete as approved and directed by Engineer Incharge.				
	ch 30-113	Supply and install 10" (250 mm) sweep exhaust fan including plastic louvers	Each	3		
3		WIRING ACCESSORIES				
		P/F PVC double layer Switch kit Faceplate with specified switch holes i/c the cost of switches / sockets / dimmer made of Hi-Life / Bush / Schenider, screws complete as approved and directed by the Engineer Incharge				
i)	ch 30-130	Supply and install 2-gang, 5 Amp, 250 Volt,. plate type moulded Clipsal/Schneider or equivalent imported switch including appropriate size plastic box to be fixed recessed in wall	No.	3		
ii)	ch 30-131	Supply and install 3 gang, 5 Amp, 250 Volt,. plate type moulded Clipsal/Schneider or equivalent imported switch including appropriate size plastic box to be fixed recessed in wall	No.	1		
iii)	ch 30-132	Supply and install 4 to 6 gang, 5 Amp, 250 Volt,. plate type moulded Clipsal/Schneider or equivalent imported switch including appropriate size plastic box to be fixed recessed in wall	No.	3		
iv)	ch 30-20	Supply and install combined 3 pin 15 Amps, switch socket unit including plastic box to be fixed recessed in wall	No.	10		
4		Cable				
	ch 30-126 a)	Fire resistance insulated 2-core, 1.5mm ² cable in PVC Conduits in 25 mm ² conduit	Rmtr	20		
5		Dismantling of lights				
	ch 4-52	Dismantling light, fan and call bell point including casing and capping strip open type and making good damaged surface	Per	21		

6		Dismantling of Plug points				
	ch 4-53	Dismantling plug point and making good damaged surface	Per Point	10		
7		Dismantling of Conduits				
	ch 4-54-B)	Dismantling G.I/ M.S. conduit/ G.I. flexible/ PVC pipes or conduit wiring etc. of all sizes including making good damaged surface.B)Recessed in wall	R.M	100		
TOTAL OF CSR ITEMS						
1		LIGHT FIXTURES				
		Supply, installation, testing and commissioning of following light fittings, ceiling, recessed,wall mounted as per specified fixture. Complete with internal wiring, Grounding terminal , driver complete in all respects. Lights should be of ledvance, Osaka, Skyled or equivalent approved by engineer incharge				
i)	NSI	18 Watt (White) LED Light Fixture surface/recessed mounted, IP-22 rated	No.	5		
ii)	NSI	12 Watt LED Light Fixture surface/recessed mounted, IP-22 rated	No.	3		
iii)	NSI	2*2 LED Backlit panel light	No.	16		
2		08 Port Poe Switches				
	NSI	Supply, Installation and Connection of Hikvision 8 Port Gigabit Unmanaged POE Switch, 8 × Gigabit PoE ports, 1 × Gigabit RJ45 port, 1 × Gigabit SFP fiber optical port, IEEE 802.3at/af standard, MAC Address Table : 4 K, Switching Capacity : 20 Gbps, Packet Forwarding Rate :14.88 Mpps, Internal Cache : 1.5 Mbits, 6 KV surge protection for PoE ports, PoE power management, Gigabit network access, Wire-speed forwarding and non-blocking design, Store-and- forward switching, Solid high-strength metal shell, Reliable fan-free design.. made of Hikvision Model no DS-3E0510P-E/M, Huawei, Cisco USA or equivalent as approved or directed by engineer incharge.	Each	1		
3		Patch Cords				
	NSI	Supply, Installation and commissioning of Cat-6, UTP Machine Made Patch Cord of Specified Length, Support 10 Giga, UL listed cable, with anti snag boots, Gold Over Nickel Plated, Manufacturer/OEM Authorization, confirming to manufacturer warranty, Made of Schneider / i-Connect UK /Panduit USA/D-Link/3M, Corning ,Pollo Australian or equivalent Approved and Directed by Engineer Incharge.3 Meter Patch Cord	Each	8		
4		False Ceiling Fan				
i)	NSI	Supply, installation and commissioning of False Ceiling fan 18 inch make Pak/GFC/Royal complete in all respect as directed and approved by engineer incharge.	Each	11		
ii)	NSI	Supply, installation and commissioning of Bracket fan 18 inch make Pak/GFC/Royal complete in all respect as directed and approved by engineer incharge.	Each	1		
5		Wiring for switch to switch				
		Wiring from switch to switch with 3 nos. single core 2.5 Sqmm PVC insulated 450/750 Volts grade stranded copper conductor cables in concealed PVC conduit including PVC conduit, Conduit accessories,etc.(conduit partly shared). Cable should be of FAST, Newage or universal cables.				
	NSI	Supply and erection of single core PVC insulated copper conductor cables, in prelaidd PVC pipe/M.S. conduit/G.I pipe/wooden strip batten/wooden casing an capping/G.I. wire/trenches (rate for cables only):-7/0.74 mm (7/0.029")	R.mtr	96		
6		Conduit				
i)	NSI	Supply and erection of PVC pipe for wiring recessed in walls, including inspection boxes, pull boxes, hooks, cutting jharries,and repairing surface, etc., complete with all specials.25 mm i/d and conduit should be of Solo, popular, easyfit or equivalent as approved by engineer incharge.	R.mtr	32		

ii)	NSI	Supply and erection of PVC pipe for wiring on surface including clamps inspection boxes, pull boxes, bends, tees, repairing surface, etc., complete with all specials:-25 mm i/d and conduit should be of Solo, popular, easyfit or equivalent as approved by engineer incharge.	R.mtr	52		
7		Duct panel				
		Supply at site and installation of dura duct on wall where necessary on per instruction of engineer incharge				
	NSI	16 x 25 mm	Rmtr	40		
8		Data Point				
	NSI	Providing and Fixing 1Gang Cat-6 RJ45 Data Outlet made of Hi-Life / Bush /Schneider or approved equivalent manufacturer, screws complete as approved and directed by the Engineer Incharge.	Each	3		
9		Data Cable				
	NSI	Supply, Installation and commissioning of wiring with 4-pair data Cable, 23 AWG UL/EN listed cable * Conforming to following standards: TIA/EIA 568 / ISO/IEC 11801, in prelaidd conduit / cabletray from including all accessories, Manufacturer/OEM Authorization, Make: Schneider / i-connect UK/3M Corning USA/ D-Link/ Pollo Australian or equivalent approved manufacturer, complete in all respect as approved and directed by Engineer Incharge.UTP (Unshielded Twisted pair) (i)CAT-6 (Min.1G @ 250MHz or higher)	Rmtr	30		
10		Re Installation of Lights				
	NSI	Labour for installation of 18 Watt (White) LED Light Fixture surface/recessed mounted, IP-22 rated complete in all respect as approved or directed by engineer incharge	Each	21		
11		Re Installation of Plug Points and Data points				
	NSI	Labour for installation of plug points and data points wall mounted complete in all respect as approved or directed by engineer incharge	Each	8		
12		Dismantling Re Installation of AC				
	NSI	Dismantling and re installation of AC including AC copper piping, control wire, piping insulation and drain pipe complete in all respect as approved or directed by engineer incharge.	Lumsum	4		
TOTAL OF NSI ITEMS						
GRAND TOTAL						

RENOVATION OF TCP OFFICE AT GAWADAR , BALOCHISTAN

(TOTAL COVERED AREA 2990 SFT)

BOQ

PUBLIC HEALTH WORKS

Sr. No.	Item No.	Description of Item	Unit	Qty	Rate	Amount
		<u>SANITARY FIXTURES AND FITTINGS</u>				
1	Ch 23/1	Providing and fixing European type glazed earthenware water closet ICL Boch/Forte or approved equivalent make including cost of inlet pipe, lid cistern kit, stop cock deluxe and other accessories, fitting material such as brackets, PVC down pipe where required, rubber rings/washers, making requisite number of holes in walls, plinth and floor for pipe connection and making good with approved material. a) Water closet florde coupled/4030 i) white	Each	3.00		
2	Ch 23-29 (b)	Providing and fixing soap dish b) Providing and fixing C.P. chain for sink and lavatory basin.	Each	3.00		
3	23-14	Providing and fixing approved quality C.P. brass toilet paper holder Master /Sonex or equivalent make.	Each	3.00		
4	23-15	Providing and fixing looking mirror of Belgium/ Malaysian/ Indonesian glass with chromium plated screws.	Each	3.00		
5	23/13	Providing and fixing approved quality chromium plated towel rail with bracket and screws a) Towel rail 24" x 3/4" (600mm x 20mm)	Each	3.00		
6	23/42	Providing and fixing 'P' trap including concrete chamber and C.I. grating a) Cast iron 4" (100 mm) size	Each	3.00		
7	23/43	Providing and fixing C.I. gully trap 6"x6"x4" including concrete embedment and cost of G.I. grating 6"x6" and masonry chamber 12"x12"	Each	3.00		
8	23/28	Providing and fixing C.P. bottle trap with union and waste pipe a) 1.25" (30 mm) dia.	Each	3.00		
9	25/1 (b)	Providing and laying cement concrete pipes moulded with cement concrete 1:1.5:3 with spigot socket or collar joint as specified in trenches to correct alignment and grade, jointing with jointing materials including cutting pipes where necessary, finishing and testing b)- R.C.C pipe with bell & spigot or tongued & grooved joint conforming to ASTM C-76 class II wall B or BS 3911 Part I class M including cost of reinforcement ii) 12" (300 mm) inner dia.	P.Rft	80.00		
10	3/42 (i)	Excavation in open cutting for sewers and manholes as shown in drawings, dressing to correct sections and dimensions according to templates and levels and removing surface water in all types of soil except rock (A)- Upto 5 ft. (1.5 m) depth (B)- Ordinary soil	Cft	720.00		
11	3/24 (A)	Manual (Maximum Area 250 Sft) Compaction of earthwork, mixing, moisturing earth to optimum moisture content in layers for compaction	Cft	720.00		
12	3/14 (A)	Rehandling of earthwork: a) Lead upto a single throw of Kassi, phaorah or shovel	Cft	720.00		
13	23/39 (iv)	Providing and fixing superior quality gun-metal peet/gate valve(Class150) of approved make. :- i) 30 mm (1 1/4") dia	Each	2.00		

Sr. No.	Item No.	Description of Item	Unit	Qty	Rate	Amount
14	23/39 (v)	Providing and fixing superior quality gun-metal peet/gate valve (Class150) of approved make. ii) 40 mm(1½") dia	Each	2.00		
15	23-05 b (i)	Providing and fixing export quality glazed earthen ware wash basin manufactured by ICL Boch/Karam Cera or equivalent approved make with single hole chromium plated mixer tap 1/2" (15mm), pillar tap delux, stop cocks, C.I. or W.I. brackets 6" (150mm) built into walls 1.5" (40mm) C.P. brass waste with malleable iron or C.P. brass trap with malleable iron or brass union and making requisite number of holes in walls, plinth and floor for pipe connections and making good with approved material. (b)Wash basin 24" (610 mm) Futura without pedestal i) White	Each	3.00		
16	23-05	d)-Extra over above for providing and fixing white glazed earthen ware pedestal manufactured by ICL/Karam Cera or approved equivalent make i) White	Each	3.00		
17	23-09	Providing and fixing floor trap of approved self cleaning design with screwed down grating with or without a vent arm with and including making requisite number of holes in walls, plinth and floor for pipe connection and making good with a) C.I. floor trap 6" x 2" and 6" x 3" size with grating.	Each	10.00		
18	Ch 27/46 (a)	<u>WATER SUPPLY PIPES AND FITTINGS</u>				
		Providing, laying, cutting, jointing, testing and disinfecting PPRC pipes conforming to ISO 4427, PN-20, complete in all respects with specials and valves etc. including all fittings, connections and jointing material				
	i	1" (25 mm) dia.	Rft	220.00		

Sr. No.	Item No.	Description of Item	Unit	Qty	Rate	Amount
19	Ch 25/20	<u>SOIL, WASTE, VENTILATING PIPES & FITTINGS</u>				
		Providing and Installing uPVC pipe III, Dadex or equivalent make registered with PSQCA in tubewell bore hole and/or laying, cutting, jointing and testing uPVC pipe lines in trenches.				
	iv	75 mm (3") dia.	Rft	90.00		
	v	100 mm (4") dia.	Rft	65.00		
20		<u>VALVES</u>				
	Ch 23/60	Providing and fixing brass ball valve with unsoldered copper ball				
	a	1/2 inch	Each	2.00		
	b	3/4 inch	Each	2.00		
21		<u>MANHOLE</u>				
	25-21	a)-Providing manhole type 'A' size 24" x 18" (inside dimensions) as per approved design and specifications complete for 4" to 12" dia pipes upto 4 ft. (1.2 m) depth with 16" dia. Concrete Cover fixed in 4" thick RCC 1:2:4 slab (with 5 lbs per Cu.ft. or 80 kg/Cu.m of steel), burnt brick masonry walls 9" (225 mm) thick set in 1:3 cement sand mortar, 6" thick 1:3:6 cement concrete in foundation, 4" av. thickness 1:2:4 cement concrete in benching and 1/2" (13mm) thick cement sand plaster in 1:3 to all inside wall surfaces, channels and benching including making requisite number of main and branch channels but excluding the cost of excavation, back filling and disposal of excavated stuff.	Each	4.00		
TOTAL OF CSR ITEMS						
1	NSI	Providing, fixing, testing and commissioning of μ -PVC (Unplasticized polyvinyl Chloride) Clean Out pipe made of dadex /Popular/Beta/BBJ conforming to code EN-1401 including the cost of Solvents complete in all respect as approved and directed by the Engineer Incharge. (i) 4" dia	Each	4.00		
2	NSI	Providing, fixing, testing and commissioning of μ -PVC (Unplasticized polyvinyl Chloride) Nikasi/ waste pipe Fittings make of dadex /Popular/Beta/BBJ conforming to code EN-1401 ncluding the cost of Solvents complete in all respect as approved and directed by the Engineer Incharge. (b) Multi-Trap (i) 4" dia	Each	3.00		
3	NSI	Providing and fitting "P" trap:ii) 10 cm (4") glazed.	Each	6.00		
4	NSI	Providing and fixing Double Bib Cock made of Sonex/ Master/ Faisal complete in all respect as approved and directed by the Engineer in charge.	Each	3.00		
TOTAL OF NSI ITEMS						
GRAND TOTAL OF PUBLIC HEALTH WORKS						



TRADING CORPORATION OF PAKISTAN

RENOVATION OF TCP'S OFFICE
SITUATED AT GWADAR PORT
AUTHORITY, GAWADAR

TCP OFFICE
PRELIMINARY DRAWING
JAN, 2024

DESIGN BY



NEW VISION ENGINEERING CONSULTANT

HEAD OFFICE:

Office No.B-6 Second Floor Masood Arcade
IJP Road Islamabad.

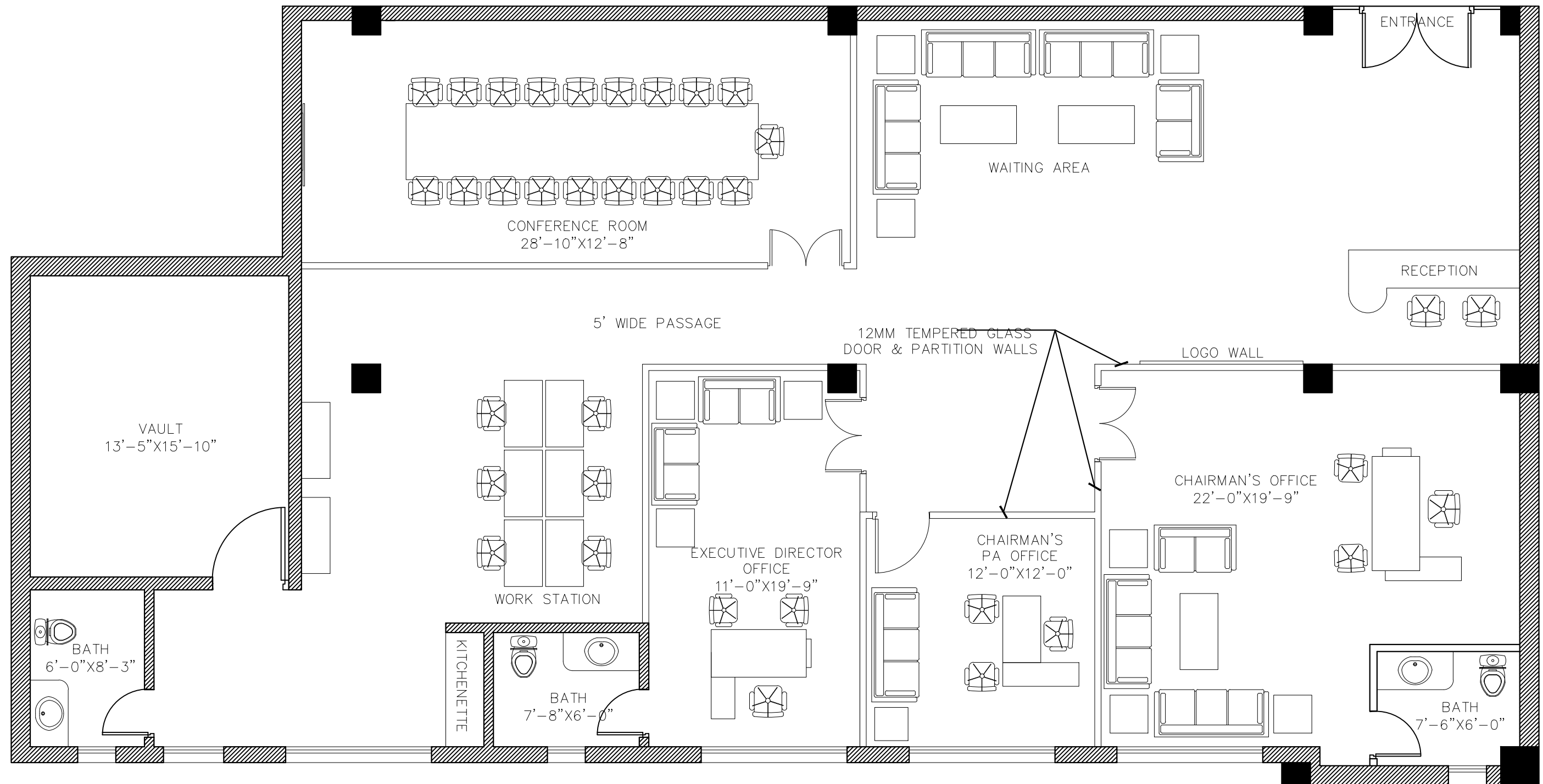
Ph: +92-51-4848375, Fax: +92-51-4848375

Email: newvisionec@yahoo.com

REGIONAL OFFICE:

287-A Street # 6,
Cavalry Ground ,Lahore

Ph: +92-42-37250130



FURNITURE PLAN
 TCP OFFICE GAWADAR
 COVERED AREA = 2990sft

ADDITION & REVISION					
ADD. REV. NO.	DATE	DESCRIPTION	DES. BY	CHK. BY	APP. BY
01	7/10/2021	REVISED PLAN			

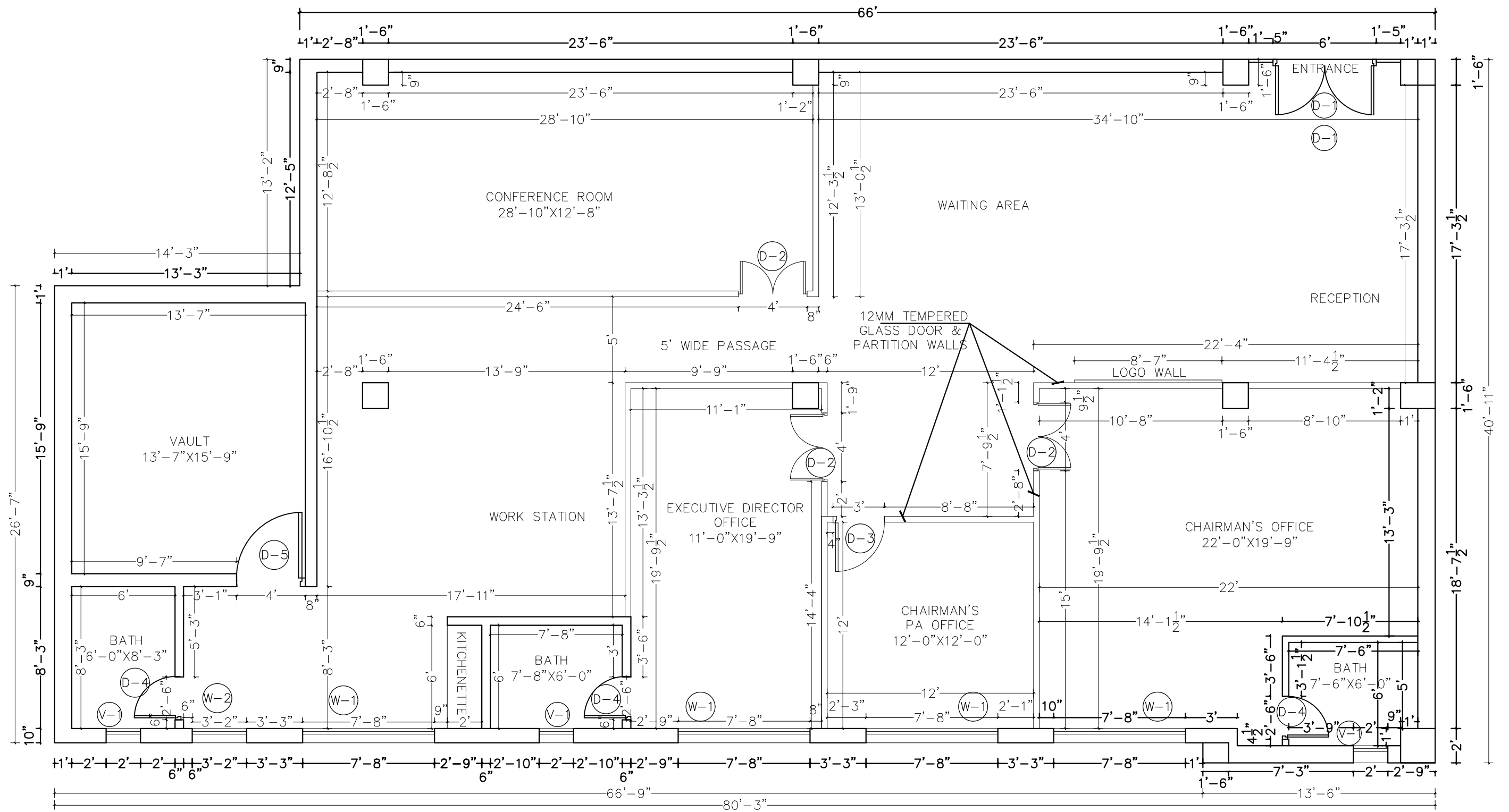
DESIGNER: **NEW VISION ENGINEERING CONSULTANT**
 Head Office: Office No.B-6 Second Floor Masood Arcade
 IJP Road Islamabad.
 Ph: +92-51-4848375, Fax: +92-51-4848375
 Email: newvisionec@yahoo.com
 Regional Office: 287-A Street # 6, Cavalry Ground ,Lahore
 Ph: +92-42-37250130



PROJECT: TCP OFFICE GAWADAR
 TITLE: TCP OFFICE BLOCK FURNITURE PLAN

CLIENT: TRADING CORPORATION OF PAKISTAN (PVT.) LIMITED

DESIGNED BY: AR.SALMAN	APPROVED BY: AR.SALMAN	DATE: JAN. 2024
DRAWN BY: RANA ALI HAIDER	JOB NO.	SCALE: N.T.S
DRG. NO. AR-01		



WORKING PLAN
 TCP OFFICE GAWADAR
 COVERED AREA = 2990sft

ADDITION & REVISION					
NO.	DATE	DESCRIPTION	DES. BY	CHK. BY	APP. BY
01	7/10/2021	REVISED PLAN			

DESIGNER: **NEW VISION ENGINEERING CONSULTANT**
 Head Office: Office No.B-6 Second Floor Masood Arcade
 IJP Road Islamabad.
 Ph: +92-51-4848375, Fax: +92-51-4848375
 Email: newvisionec@yahoo.com
 Regional Office: 287-A Street # 6, Cavalry Ground ,Lahore
 Ph: +92-42-37250130



PROJECT:	TCP OFFICE GAWADAR	
TITLE:	TCP OFFICE BLOCK WORKING PLAN	

CLIENT: TRADING CORPORATION OF PAKISTAN (PVT.) LIMITED		
DESIGNED BY: AR.SALMAN	APPROVED BY: AR.SALMAN	DATE: JAN. 2024
DRAWN BY: RANA ALI HAIDER	JOB NO.	SCALE: N.T.S
DRG. NO. AR-02		

SCHEDULE OF OPENINGS

DOOR SCHEDULE

S.NO.	OPENINGS	DIMENSIONS	SILL LEVEL	DESCRIPTION
1	D1	6'-0" x 8'-0"	0'-0"	ALUMINUM GLASS DOOR
2	D2	4'-0" x 7'-0"	0'-0"	12mm TEMPERED ALUMINUM GLASS DOOR
3	D3	3'-0" x 7'-0"	0'-0"	12mm TEMPERED ALUMINUM GLASS DOOR
4	D4	2'-6" x 7'-0"	0'-0"	P.V.C DOOR
5	D5	3'-0" x 7'-0"	0'-0"	STEEL DOOR

WINDOW SCHEDULE

6	W1	7'-8" x 4'-6"	+2'-6"	ALUMINUM WINDOW
7	W2	3'-2" x 4'-6"	+2'-6"	ALUMINUM WINDOW
8	V1	2'-0" x 2'-0"	+6'-0"	ALUMINUM WINDOW

ADDITION & REVISION					
NO.	DATE	DESCRIPTION	DES. BY	CHK. BY	APP. BY
01	7/10/2021	REVISED PLAN			

DESIGNER:



NEW VISION ENGINEERING CONSULTANT

Head Office: Office No.B-6 Second Floor Masood Arcade
IJP Road Islamabad.

Ph: +92-51-4848375, Fax: +92-51-4848375
Email: newvisionec@yahoo.com

Regional Office: 287-A Street # 6, Cavalry Ground ,Lahore
Ph: +92-42-37250130

PROJECT:

TCP OFFICE GAWADAR

TITLE:

TCP OFFICE BLOCK
OPENING SCHEDULE

CLIENT:

TRADING CORPORATION OF PAKISTAN (PVT.) LIMITED

DESIGNED BY:

AR.SALMAN

APPROVED BY:

AR.SALMAN

DATE:

JAN, 2024

DRAWN BY:

RANA ALI HAIDER

JOB NO.

SCALE:

N.T.S

DRG. NO.

AR-03

PLUMBING

LIST OF DRAWINGS

S.NO.	DRAWING TITLE	DRG. NO
PLUMBING DRAWINGS		
1	LIST OF DRAWING	PL-00
2	GENERAL NOTES	PL-01
3	GROUND FLOOR PLAN (SANITARY DRAINAGE LAYOUT)	PL-02
4	GROUND FLOOR PLAN (WATER SUPPLY LAYOUT)	PL-03
5	TYPICAL DETAILS	PL-04
6	TYPICAL DETAILS	PL-05

ADDITION & REVISION					
ADD./REV. NO.	DATE	DESCRIPTION	DES. BY	CHK. BY	APP. BY



NEW VISION ENGINEERING CONSULTANT
 Head Office: Office No.B-6 SECOND FLOOR Masood Arcade
 IJP Road Islamabad.
 Ph: +92-51-4848375, Fax: +92-51-4848375
 Email: newvisionec@yahoo.com
 Regional Office: 287-A Street # 6, Cavalry Ground ,Lahore
 Ph: +92-42-37250130

PROJECT:

TCP OFFICE GAWADAR

TITLE:

LIST OF DRAWINGS

CLIENT:

**TRADING CORPORATION OF PAKISTAN (PVT.)
LIMITED**

DESIGNED BY:

AHMED JANGANHEER

APPROVED BY:

DATE :

JAN,2024

DRAWN BY:

MATHEW SIMON

JOB NO.

SCALE:

N.T.S

DRG. NO.

PL-00

GENERAL NOTES.

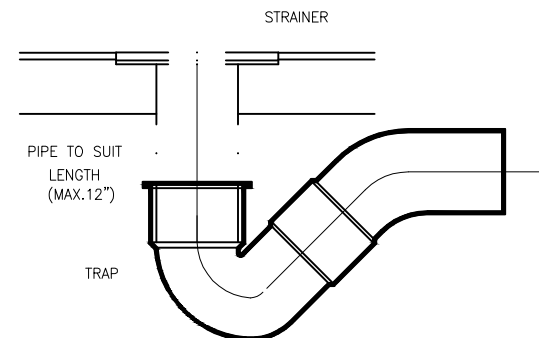
- 1 - PIPE PASSING THROUGH WALL, FLOOR OR ROOF SHALL BE PROTECTED WITH SLEEVES
- 2 - PIPE SIZES & DIMENSIONS ARE IN INCHES, UNLESS OTHERWISE MENTIONED
- 3 - PLUMBING SERVICES, SHALL BE CO-ORDINATED WITH OTHER SERVICES SUCH AS ELECTRICAL, ETC. TO AVOID CONFLIT OR INTERFERENCE WITH THEM.
- 4 - SIZE OF FLOOR DRAIN UNLESS OTHERWISE STATED SHALL BE SAME AS THE SIZE OF OUTLET DRAIN PIPE.
- 5 - WHEREVER FLOOR DRAIN/TRAP IS SHOWN, SLOPE FLOOR TOWARDS DRAIN/TRAP.
- 6 - HORIZONTAL DRAINAGE PIPING OF 3 INCH DIAMETER & LESS SHALL BE INSTALLED WITH A SLOPE OF NOT LESS THEN 1/4 INCH PER FOOT, LARGER ONES WITH A SLOPE OF NOT LESS THAN 1/8 INCH PER FOOT.
- 7 - EXTENSION OF VENT PIPES THROUGH A ROOF SHALL BE TERMINATED AT LEAST 6 INCHES ABOVE FINISHED ROOF LEVEL. EACH VENT TERMINAL SHALL BE MADE WATER TIGHT WITH THE ROOF BY PROPER FLASHING
- 8 - SIZE OF ANYTHING GIVEN ON PLUMBING DRAWING MEANS ITS CLEAR DIMENSIONS (CAPACITY), UNLESS OTHERWISE MENTIONED.
- 9 - THE "VERTICAL DISTANCE" FROM FIXTURE OUTLET TO THE TRAP WEIR SHALL PREFERABLY BE NOT MORE THAN 12 INCHES. HOWEVER, THIS "VERTICAL DISTANCE" FROM THE FIXTURE OUTLET TO THE TRAP WEIR SHALL NOT EXCEED 24 INCHES.
- 10 - WHERE THE CHANGE OF DIRECTION IS 45° OR LESS, IT IS NOT NECESSARY TO PROVIDE A CLEAN OUT. BUT WHEN THE CHANGE IN DIRECTION IS MORE THAN 45°, A CLEAN OUT SHOULD BE REQUIRED.
- 11 - ALL TRAPS AND FLOOR DRAINS SHALL HAVE A WATER SEAL NOT LESS THAN 2 INCHES.
- 12 - (EXTERNAL SERVICES) THE BOTTOM OF WATER-SERVICES PIPE , AT ALL POINTS,SHALL BE AT LEAST 12 INCHES ABOVE THE TOP OF THE SEWER LINE AT ITS HIGHEST POINT.
- 13 - NO "T" FITTING IS ALLOWED IN SANITARY DRAINAGE LAYOUT. USE ONLY "Y" FITTINGS.

TABLE-1

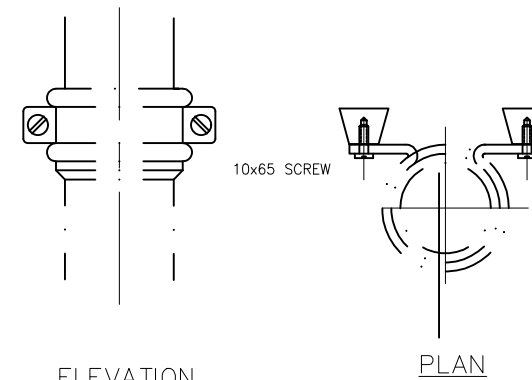
ABBREV.	DESCRIPTION
SP	SOIL PIPE
WP	WASTE PIPE
SS	SOIL STACK
WS	WASTE STACK
VP	VENT PIPE
VS	VENT STACK
T/A	TO ABOVE
F/A	FROM ABOVE
T/B	TO BELOW
F/B	FROM BELOW

TABLE-2

ABBREV.	DESCRIPTION
GV	GATE VALVE
WP	WASTE PIPE
SP	SOIL PIPE
HS	HAND SHOWER
G.T	GULLY TRAP
Gr.T	GREASE INTERCEPTOR
MFT	MULTI FLOOR TRAP
FT	FLOOR TRAP
O.H.W.T	OVERHEAD WATER TANK
U.G.W.T	UNDERGROUND WATER TANK
WC	WATER CLOSD
SH	SHOWER
T/A	TO ABOVE
F/A	FROM ABOVE
T/B	TO BELOW
F/B	FROM BELOW



DETAIL OF FLOOR TRAP
NO SCALE



DETAIL OF PIPE CLAMP
NO SCALE (DIMENSIONS ARE IN mm.)

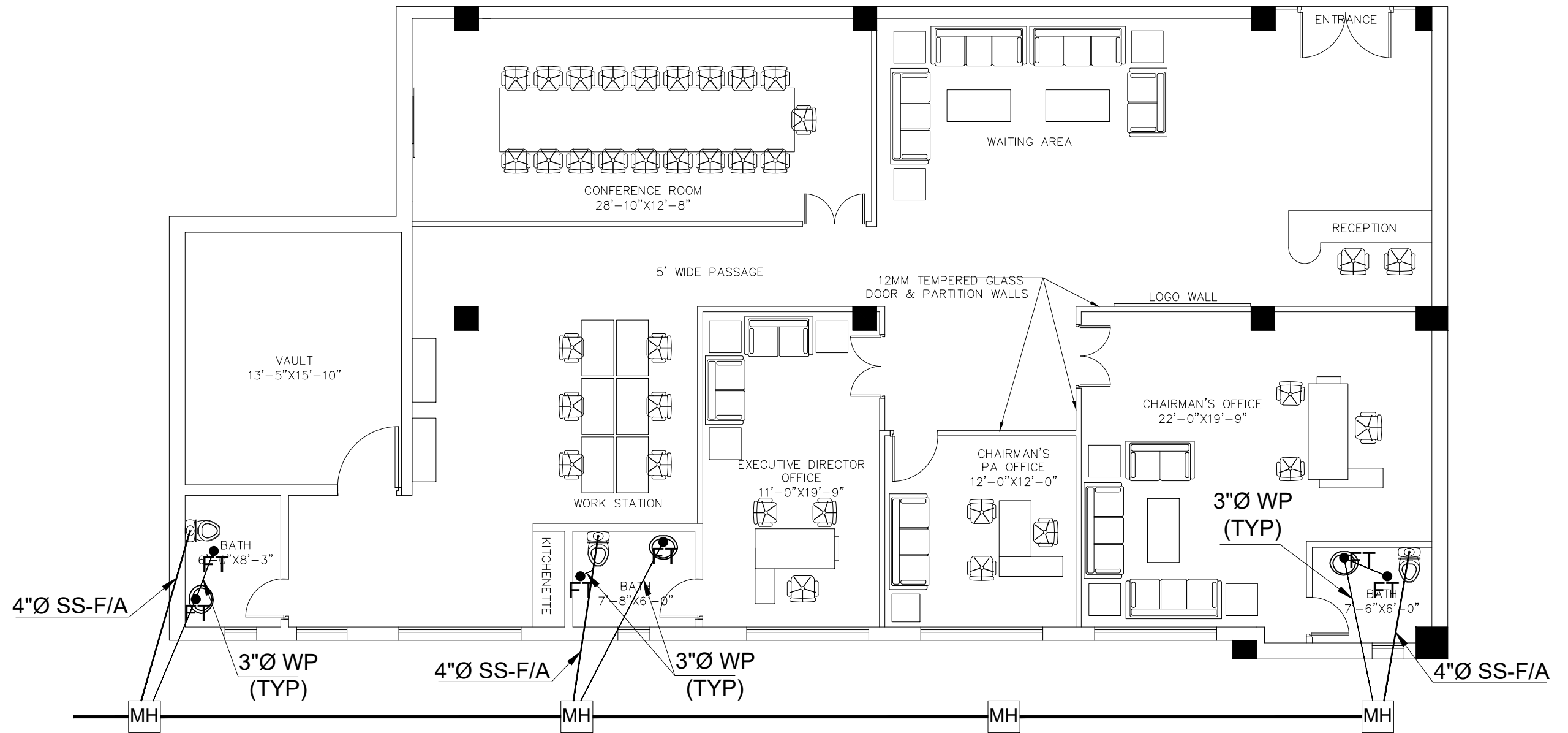
ADDITION & REVISION				
ADD./REV. NO.	DATE	DESCRIPTION	DES. BY	APP. BY



NEW VISION ENGINEERING CONSULTANT
 Head Office: Office No.B-6 SECOND FLOOR Masood Arcade
 IJP Road Islamabad.
 Ph: +92-51-4848375, Fax: +92-51-4848375
 Email: newvisionec@yahoo.com
 Regional Office: 287-A Street # 6, Cavalry Ground ,Lahore
 Ph: +92-42-37250130

PROJECT:	TCP OFFICE GAWADAR
TITLE:	GENERAL NOTES

CLIENT: TRADING CORPORATION OF PAKISTAN (PVT.) LIMITED		
DESIGNED BY: AHMED JANGANHEER	APPROVED BY:	DATE : JAN,2024
DRAWN BY: MATHEW SIMON	JOB NO.	SCALE: N.T.S
DRG. NO. PL-01		



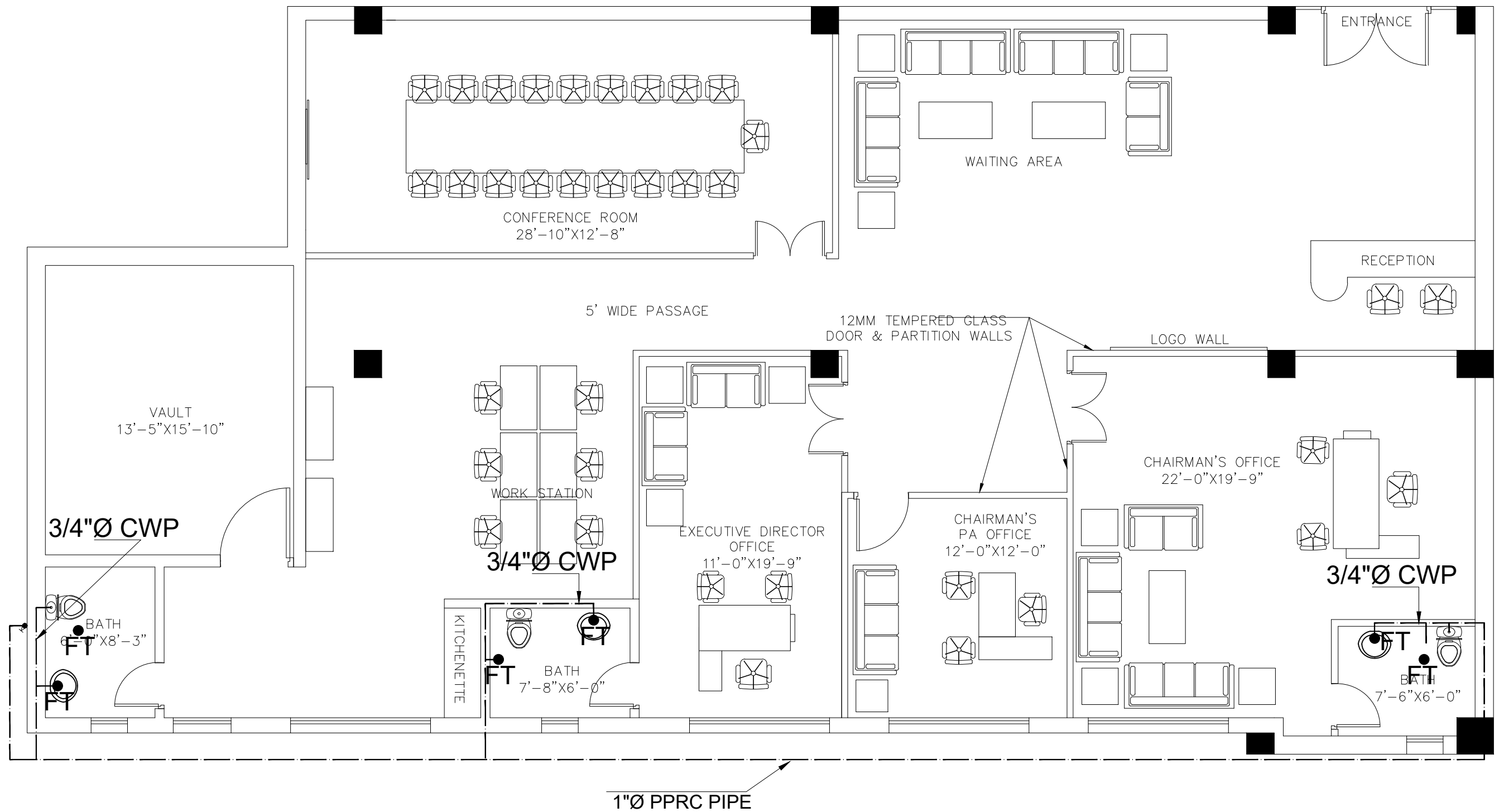
**GROUND FLOOR PLAN
SANITARY
DRAINAGE LAYOUT**

ADDITION & REVISION				
ADD. REV. NO.	DATE	DESCRIPTION	DES. BY	APP. BY

NEW VISION ENGINEERING CONSULTANT
 Head Office: Office No.B-6 SECOND FLOOR Masood Arcade
 IJP Road Islamabad.
 Ph: +92-51-4848375, Fax: +92-51-4848375
 Email: newvisionec@yahoo.com
 Regional Office: 287-A Street # 6, Cavalry Ground ,Lahore
 Ph: +92-42-37250130

PROJECT:	TCP OFFICE GAWADAR
TITLE:	GROUND FLOOR PLAN SANITARY DRAINAGE LAYOUT

CLIENT: TRADING CORPORATION OF PAKISTAN (PVT.) LIMITED		
DESIGNED BY: AHMED JANGANHEER	APPROVED BY:	DATE: JAN,2024
DRAWN BY: MATHEW SIMON	JOB NO.:	SCALE: N.T.S
DRG. NO.:		PL-02



GROUND FLOOR PLAN WATER SUPPLY LAYOUT

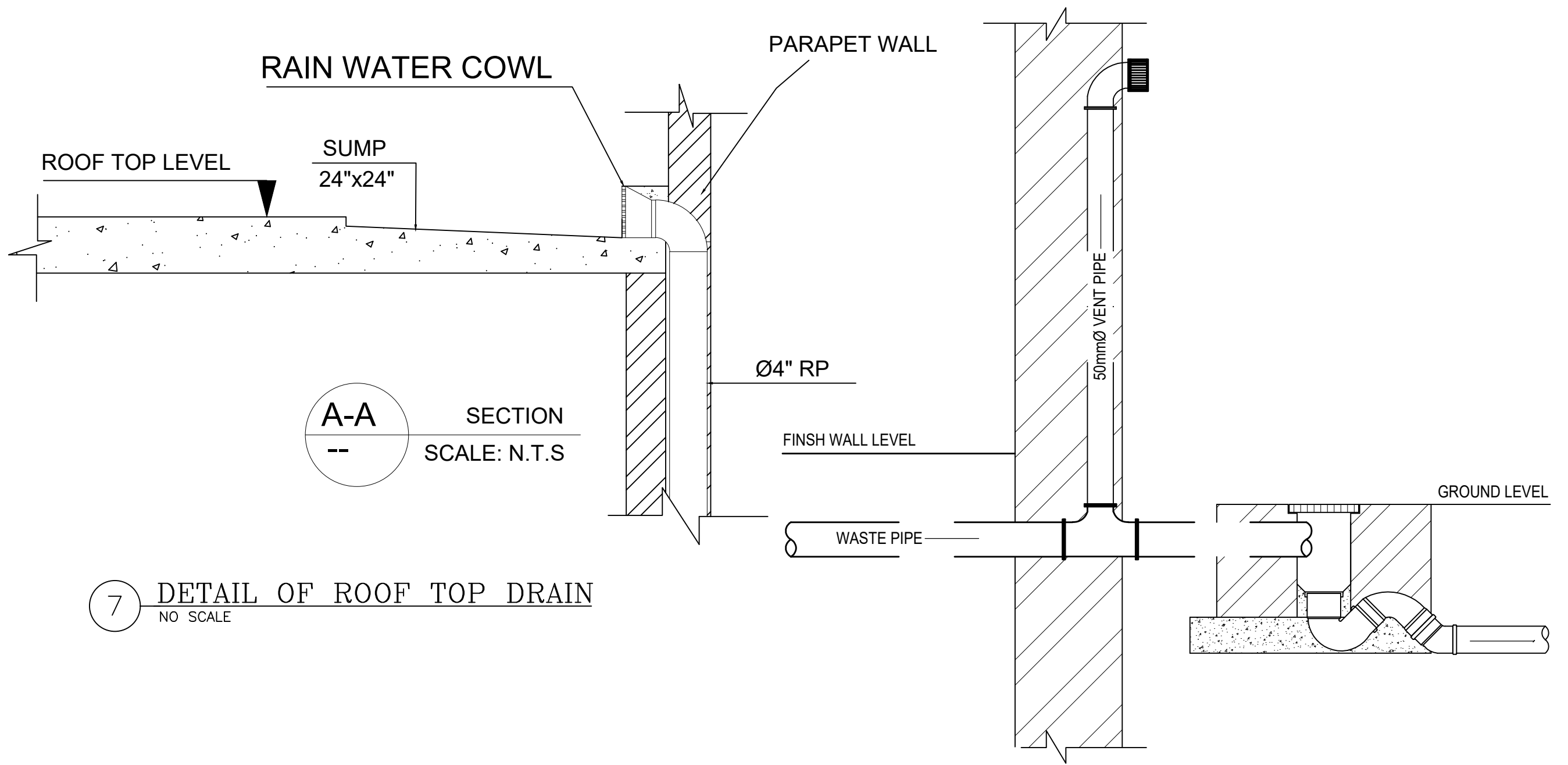
ADDITION & REVISION					
ADD./REV. NO.	DATE	DESCRIPTION	DES. BY	CHK. BY	APP. BY



NEW VISION ENGINEERING CONSULTANT
 Head Office: Office No.B-6 SECOND FLOOR Masood Arcade
 IJP Road Islamabad.
 Ph: +92-51-4848375, Fax: +92-51-4848375
 Email: newvisionec@yahoo.com
 Regional Office: 287-A Street # 6, Cavalry Ground ,Lahore
 Ph: +92-42-37250130

PROJECT:	TCP OFFICE GAWADAR	
TITLE:	GROUND FLOOR PLAN WATER SUPPLY LAYOUT	

CLIENT: TRADING CORPORATION OF PAKISTAN (PVT.) LIMITED		
DESIGNED BY: AHMED JANGANHEER	APPROVED BY:	DATE: JAN,2024
DRAWN BY: MATHEW SIMON	JOB NO.	SCALE: N.T.S
DRG. NO.		PL-03



7 DETAIL OF ROOF TOP DRAIN
NO SCALE

DETAIL OF WASTE VENT PIPE

— DETAIL OF WASTE VENT PIPE
NO SCALE

ADDITION & REVISION				
ADD./REV. NO.	DATE	DESCRIPTION	DES. BY	APP. BY



NEW VISION ENGINEERING CONSULTANT
 Head Office: Office No.B-6 SECOND FLOOR Masood Arcade
 IJP Road Islamabad.
 Ph: +92-51-4848375, Fax: +92-51-4848375
 Email: newvisionec@yahoo.com
 Regional Office: 287-A Street # 6, Cavalry Ground ,Lahore
 Ph: +92-42-37250130

PROJECT:	TCP OFFICE GAWADAR
TITLE:	TYPICAL DETAILS

CLIENT: TRADING CORPORATION OF PAKISTAN (PVT.) LIMITED		
DESIGNED BY: AHMED JANGANHEER	APPROVED BY:	DATE : JAN,2024
DRAWN BY: MATHEW SIMON	JOB NO.	SCALE: N.T.S
DRG. NO.		PL-04

3" THICK R.C.C COVER
22" DIA WITH C.I FRAME OF
20" CLEAR DIA

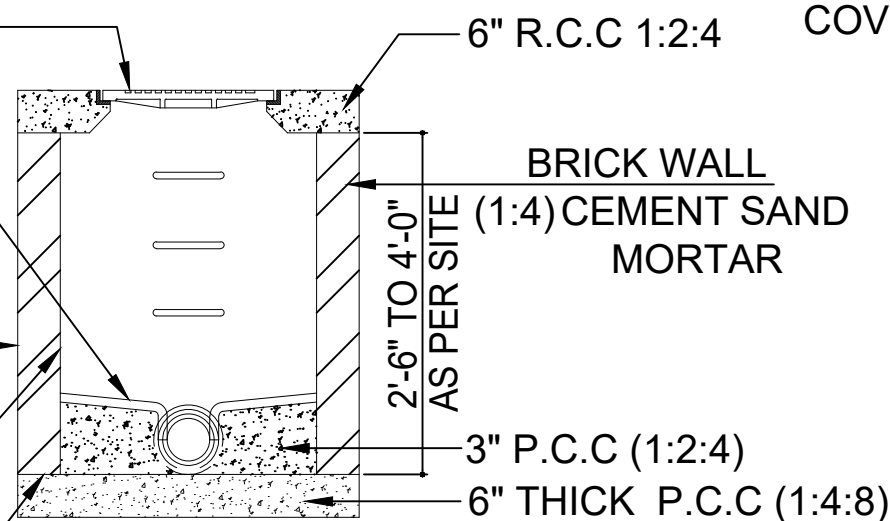
BENCHING FLOATED SMOOTH
WITH STEEL TROWEL.
SLOPE ABOUT 1 IN 6 CEMENT
MORTAR 1:1

CEMENT PLASTER 1:3 +
BITUMEN COAT 20lb/100 sft

CEMENT PLASTER 1:3

ROUGHENED CLEANED
AND WETTED BEFORE
PLACING CONCRETE FOR
THE WALLS

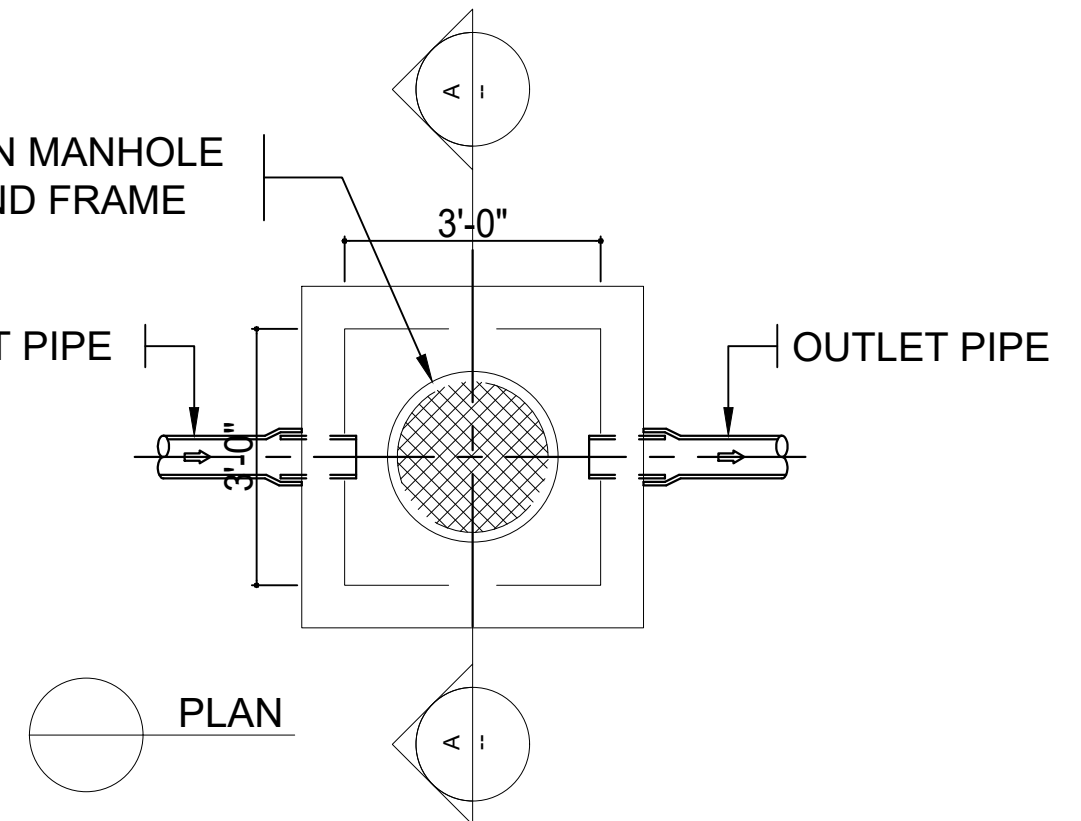
A-A SECTION



CAST IRON MANHOLE
COVER AND FRAME

INLET PIPE

OUTLET PIPE



MANHOLE DETAIL

ADDITION & REVISION					
ADD./REV. NO.	DATE	DESCRIPTION	DES. BY	CHK. BY	APP. BY



NEW VISION ENGINEERING CONSULTANT
Head Office: Office No.B-6 SECOND FLOOR Masood Arcade
IJP Road Islamabad.
Ph: +92-51-4848375, Fax: +92-51-4848375
Email: newvisionec@yahoo.com
Regional Office: 287-A Street # 6, Cavalry Ground ,Lahore
Ph: +92-42-37250130

PROJECT:	TCP OFFICE GAWADAR	
TITLE:	TYPICAL DETAILS	

CLIENT: TRADING CORPORATION OF PAKISTAN (PVT.) LIMITED		
DESIGNED BY: AHMED JANGANHEER	APPROVED BY:	DATE : JAN,2024
DRAWN BY: MATHEW SIMON	JOB NO.	SCALE: N.T.S
DRG. NO. PL-05		

ELECTRICAL

LIST OF DRAWINGS

S.NO.	DRAWING TITLE	DRG. NO
ELECTRICAL DRAWINGS		
1	LIST OF DRAWING	EL-00
2	GENERAL NOTES	EL-01
3	LEGEND AND SYMBOLS	EL-02
4	LIGHTING PLAN LAYOUT	EL-03
5	POWER & AC PLAN LAYOUT	EL-04
6	TYPICAL DETAIL	EL-05

ADDITION & REVISION				
NO.	DATE	DESCRIPTION	DES. BY	APP. BY
01	7/10/2021	REVISED PLAN		



DESIGNER: NEW VISION ENGINEERING CONSULTANT
 Head Office: Office No.B-6 Second Floor Masood Arcade
 IJP Road Islamabad.
 Ph: +92-51-4848375, Fax: +92-51-4848375
 Email: newvisionec@yahoo.com
 Regional Office: 287-A Street # 6, Cavalry Ground ,Lahore
 Ph: +92-42-37250130

PROJECT:	TCP OFFICE GAWADAR
TITLE:	LIST OF DRAWINGS

CLIENT: TRADING CORPORATION OF PAKISTAN (PVT.) LIMITED		
DESIGNED BY: ENGR. SHADAB	APPROVED BY:	DATE: JAN, 2024
DRAWN BY: ENGR. AHMAD	JOB NO.	SCALE: N.T.S
DRG. NO.		EL-00

GENERAL NOTES

ELECTRICAL SYSTEMS

1. FOLLOWING NOTES SHALL IN GENERAL APPLY TO ALL ELECTRICAL DRAWINGS. THE INSTRUCTIONS IN THESE NOTES SHALL BE FOLLOWED UNLESS STATED OTHERWISE.
2. THESE NOTES SHALL BE APPLICABLE TO THE ENTIRE ELECTRICAL WORKS. IF THE SITE CONDITIONS NECESSITATE ANY ALTERATIONS OR DEVIATIONS THE DIRECTIONS OF THE ENGINEER SHALL BE OBSERVED AS FINAL INSTRUCTIONS.
3. ALL ELECTRICAL DRAWINGS SHALL BE READ IN CONJUNCTION WITH BOQ, TECHNICAL SPECIFICATIONS, ARCHITECTURAL, STRUCTURAL, PLUMBING AND HVAC DRAWINGS & ALL OTHER RELEVANT DETAILS.
4. DIMENSIONS/MEASUREMENTS GIVEN IN LAYOUT AND DETAILED DRAWINGS ARE APPROXIMATE. THE CONTRACTOR SHALL BE RESPONSIBLE TO CALCULATE THE ACTUAL DIMENSIONS/ MEASUREMENTS ACCORDING TO STRUCTURAL AND ARCHITECTURAL DRAWINGS.
5. THE CONTRACTOR SHALL SUBMIT SHOP DRAWINGS WITH ALL RELEVANT DETAILS TO THE ENGINEER FOR APPROVAL ACCORDING TO THE GENERAL CONDITIONS OF CONTRACT WELL IN TIME BEFORE COMMENCEMENT OF THAT WORK.
6. PROPER CO-ORDINATION OF ELECTRICAL WORKS WITH OTHER SERVICES SHALL BE CARRIED OUT AT SITE.
7. ELECTRICAL POINTS FOR EQUIPMENT SHALL BE INSTALLED IN CO-ORDINATION WITH THE RELEVANT DRAWINGS OF OTHER SERVICES, SUCH AS COMMUNICATION SYSTEMS, HVAC, PLUMBING ETC. THE LOCATION ON ELECTRICAL DRAWINGS IS ONLY INDICATIVE.
8. ARRANGEMENT OF ELECTRICAL EQUIPMENTS ON ELECTRICAL DRAWINGS ARE TENTATIVE. EXACT ARRANGEMENT OF EQUIPMENTS SHALL BE MADE IN VIEW OF ITS PHYSICAL DIMENSIONS AND EASE OF MAINTENANCE. AND AS PER SITE REQUIREMENTS.
9. LOADS ON ALL PHASES SHALL BE BALANCED AT THE TESTING/ COMMISSIONING STAGE.
10. CONDUIT/DUCT RUN UNDER FLOOR SHALL HAVE A MINIMUM COVER OF TWO INCHES FROM TOP OF CONDUIT/DUCT TO FINISH FLOOR LEVEL.
11. RUN GREEN-YELLOW OR GREEN SINGLE CORE PVC INSULATED COPPER CONDUCTOR CABLE OF SPECIFIED SIZES AS PROTECTIVE EARTH CONDUCTOR (ECC) ALL ALONG LIGHT AND POWER WIRING. WHEREVER THE SIZE IS NOT SPECIFIED THE FOLLOWING CRITERIA SHALL BE OBSERVED TO DETERMINE MINIMUM CROSS SECTIONAL AREA OF EARTH CONTINUITY CONDUCTOR (ECC) IN RELATION TO THE AREA OF ITS PHASE CONDUCTORS. RUN SEPARATE ECC FOR EACH CIRCUIT.
 - ECC & PHASE CONDUCTOR OF SAME SIZE FOR UP TO AND INCLUDING 16 SQMM CABLES
 - 16 SQMM ECC FOR PHASE CONDUCTOR OF 16 SQMM, 25SQMM & 35 SQMM CABLES
 - FOR CABLES OF 50 SQMM AND ABOVE SIZES, ECC IS HALF SIZE OF PHASE CONDUCTOR.
 - MAXIMUM SIZE OF ECC IS 70 SQMM.

ELECTRICAL SYSTEMS

13. THE MAXIMUM CAPACITY OF PVC CONDUITS FOR SIMULTANEOUS DRAWING OF PVC INSULATED CABLES SHALL BE DETERMINED AS PER BS 4607. THE FOLLOWING TABLE SHALL BE USED TO DETERMINE THE MAXIMUM NUMBER OF CABLES.

S. #	NOMINAL CONDUCTOR SIZE(SQMM)	NO. & DIA OF WIRES	NOMINAL OVERALL DIA	20 MM DIA (3/4" DIA)	25 MM DIA (1" DIA)	32 MM DIA (1 1/4" DIA)
1	1.5	1/1.38	3.1	10	18	30
2	2.5	1/1.78	3.5	8	14	23
3	2.5	7/0.67	3.8	7	12	20
4	4	7/0.85	4.3	5	9	15
5	6	7/1.04	4.9	4	7	12
6	10	7/1.35	6.2	2	4	7
7	16	7/1.70	7.3	-	3	5
8	25	7/2.14	9.0	-	2	3
9	35	19/1.53	10.3	-	-	2
14. NORMAL & EMERGENCY CIRCUITS SHALL RUN IN SEPARATE CONDUITS.
15. ALL WIRING FOR CONTROLS SHALL BE CARRIED OUT WITH 1 CORE PVC CABLES OF SPECIFIED VOLTAGE GRADE AND SIZES.
16. THE WIRING SHALL BE CONTINUOUS LOOPING-IN TYPE AND NO JOINT IN WIRES SHALL BE ALLOWED.
17. THE WIRING SYSTEM SHALL BE CARRIED OUT ONLY AFTER THE CONDUIT SYSTEM IS COMPLETELY INSTALLED AND ALL OUTLET BOXES, ETC. ARE FIXED IN POSITION.
18. MOUNTING HEIGHTS OF ELECTRICAL FITTINGS WHEN MEASURED FROM FINISHED FLOOR LEVEL (F.F.L.) TO THE BOTTOM OF FITTINGS SHALL BE AS UNDER, UNLESS OTHERWISE SHOWN OR INSTRUCTED.

MAIN SWITCH BOARD	48 INCHES
DISTRIBUTION BOARD	48 INCHES
CONTROL PANEL	48 INCHES
ON/OFF PUSH BUTTON STATION	48 INCHES
DIMMER CONTROL UNIT	48 INCHES
LIGHT CONTROL SWITCH (ONE WAY/TWO WAY)	48 INCHES
5A SOCKET OUTLETS IN GENERAL AREAS	10 INCHES
15A SOCKET OUTLETS IN GENERAL AREAS	10 INCHES
20A SOCKET OUTLETS IN GENERAL AREAS	10 INCHES
CEILING FAN	96 INCHES
WALL FAN	84 INCHES
EXHAUST FAN	REFER ARCH. DRGS.

COMMUNICATION SYSTEMS

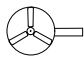


1. FOLLOWING NOTES SHALL IN GENERAL APPLY TO ALL COMMUNICATION SYSTEMS DRAWINGS. THE INSTRUCTIONS IN THESE NOTES SHALL BE FOLLOWED UNLESS STATED OTHERWISE.
2. THESE NOTES SHALL BE APPLICABLE TO THE ENTIRE COMMUNICATION SYSTEMS WORKS. IF THE SITE CONDITIONS NECESSITATE ANY ALTERATIONS OR DEVIATIONS THE DIRECTIONS OF THE ENGINEER SHALL BE OBSERVED AS FINAL INSTRUCTIONS.
3. ALL COMMUNICATION SYSTEMS DRAWINGS SHALL BE READ IN CONJUNCTION WITH TECHNICAL SPECIFICATIONS, ITEMS OF B.O.Q., ARCHITECTURAL STRUCTURAL, HVAC, PLUMBING DRAWINGS AND ALL OTHER RELEVANT DETAILS.
4. DIMENSIONS/MEASUREMENTS GIVEN IN LAYOUT AND DETAILED DRAWINGS ARE APPROXIMATE. THE CONTRACTOR SHALL BE RESPONSIBLE TO CALCULATE THE ACTUAL DIMENSIONS/MEASUREMENTS ACCORDING TO STRUCTURAL AND ARCHITECTURAL DRAWINGS.
5. THE CONTRACTOR SHALL SUBMIT SHOP DRAWINGS WITH ALL RELEVANT DETAILS TO THE ENGINEER FOR APPROVAL ACCORDING TO THE GENERAL CONDITIONS OF CONTRACT WELL IN TIME BEFORE COMMENCEMENT OF THAT WORK.
6. PROPER CO-ORDINATION OF COMMUNICATION SYSTEMS WORKS WITH OTHER SERVICES SHALL BE CARRIED OUT AT SITE.
7. POINTS FOR COMMUNICATION SYSTEMS EQUIPMENT SHALL BE INSTALLED IN CO-ORDINATION WITH THE RELEVANT DRAWINGS OF OTHER SERVICES, SUCH AS ELECTRICAL, HVAC, PLUMBING ETC. THE LOCATION ON COMMUNICATION SYSTEMS DRAWINGS IS ONLY INDICATIVE.
8. ARRANGEMENT OF COMMUNICATION SYSTEMS EQUIPMENTS ON DRAWINGS ARE TENTATIVE EXACT ARRANGEMENT OF EQUIPMENTS SHALL BE MADE IN VIEW OF ITS PHYSICAL DIMENSIONS AND EASE OF MAINTENANCE.
9. CONDUIT/DUCT RUN UNDER FLOOR SHALL HAVE A MINIMUM COVER 2 INCHES FROM TOP OF CONDUIT/DUCT TO FINISH FLOOR LEVEL.
10. RUN GREEN-YELLOW OR GREEN SINGLE CORE PVC INSULATED COPPER CONDUCTOR CABLE OF SPECIFIED SIZES AS PROTECTIVE EARTH CONDUCTOR (ECC) ALL ALONG COMMUNICATION SYSTEMS WIRING.
11. ALL WIRING FOR CONTROLS SHALL BE CARRIED OUT WITH 1 CORE PVC CABLES OF SPECIFIED VOLTAGE GRADE AND SIZES.
12. THE WIRING SHALL BE CONTINUOUS LOOPING-IN TYPE AND NO JOINT IN WIRES SHALL BE ALLOWED.
13. THE WIRING SYSTEM SHALL BE CARRIED OUT ONLY AFTER THE CONDUIT SYSTEM IS COMPLETELY INSTALLED AND ALL OUTLET BOXES, ETC. ARE FIXED IN POSITION.
14. MOUNTING HEIGHTS OF ELECTRICAL FITTINGS WHEN MEASURED FROM FINISHED FLOOR LEVEL (F.F.L.) TO THE BOTTOM OF FITTINGS SHALL BE AS UNDER, UNLESS OTHERWISE SHOWN OR INSTRUCTED.

ADDITION & REVISION					
NO.	DATE	DESCRIPTION	DES. BY	CHK. BY	APP. BY
01	7/10/2021	REVISED PLAN			

DESIGNER: NEW VISION ENGINEERING CONSULTANT
 Head Office: Office No.B-6 Second Floor Masood Arcade
 IJP Road Islamabad.
 Ph: +92-51-4848375, Fax: +92-51-4848375
 Email: newvisionec@yahoo.com


 Regional Office: 287-A Street # 6, Cavalry Ground ,Lahore
 Ph: +92-42-37250130

PROJECT: TCP OFFICE GAWADAR TITLE: GENERAL NOTES	CLIENT: TRADING CORPORATION OF PAKISTAN (PVT.) LIMITED DESIGNED BY: ENGR. SHADAB APPROVED BY: _____ DATE: JAN, 2024 DRAWN BY: ENGR. AHMAD JOB NO. _____ SCALE: N.T.S DRG. NO. _____ EL-01
--	---

Sr.No	Symbol	Description
1		2' x 2' LED PANEL LIGHT
2		18 Watt LED/Ceiling mounted Light Fixture, IP-44 rated
3		12 Watt LED/Ceiling mounted Light Fixture, IP-44 rated
4	□	Emergency Lights
5		56" - 48" dia ceiling fan Fan shall be made with 99% purity Copper windings.
6		18" dia false ceiling fan
7		10" outer dia exhaust fan with plastic body, fan blades and louvers
8		18" dia bracket fan
9		Switch Board
10		10-/13 amp Light Plug sockets
11		20 amp Power Plug sockets
12		DATA POINT
13		A.C wall mounted 220 volt (-TON)
14		A.C Floor Standing cabinet 440 volt (-TON)

ADDITION & REVISION					
NO.	DATE	DESCRIPTION	DES. BY	CHK. BY	APP. BY
01	7/10/2021	REVISED PLAN			

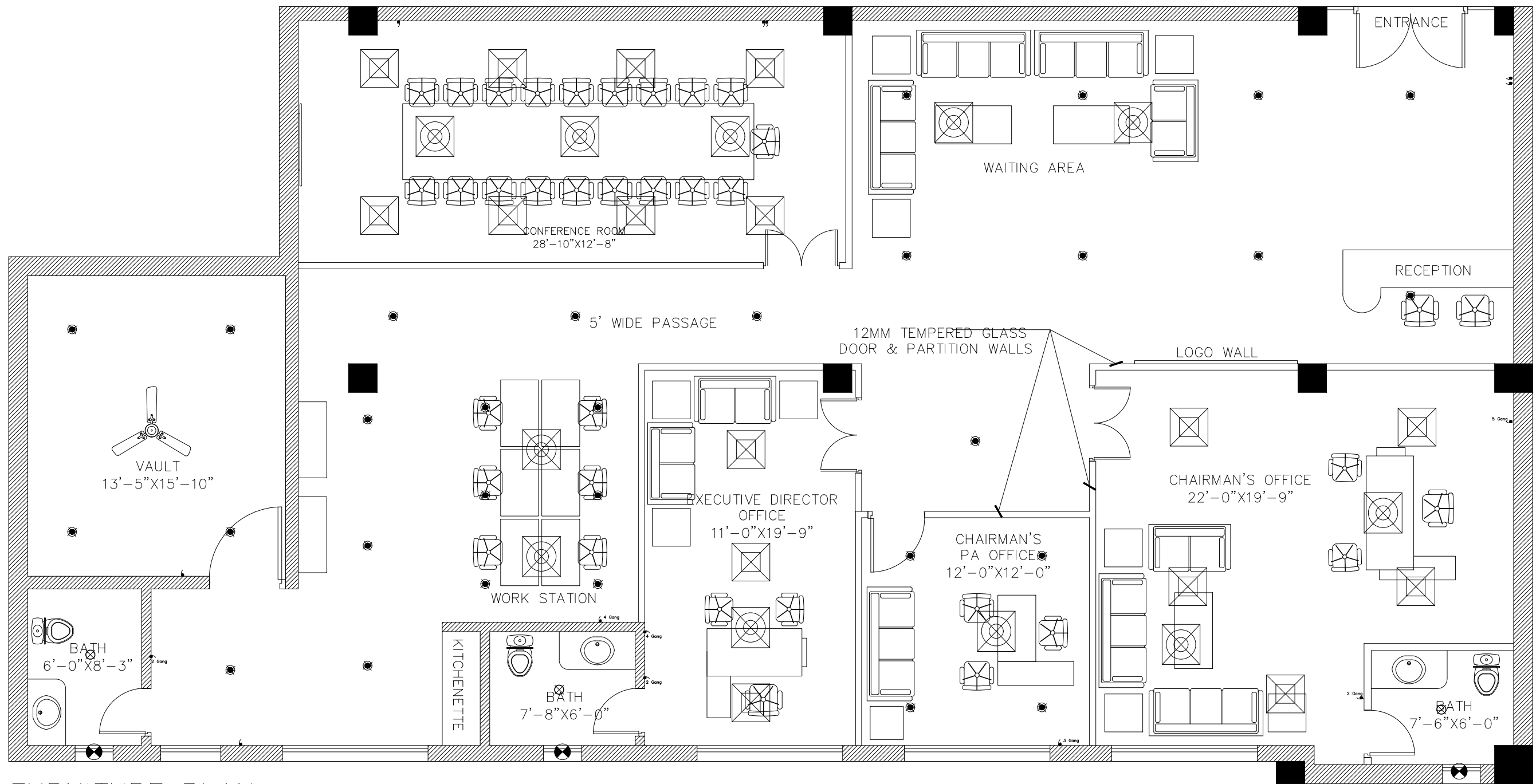
DESIGNER: **NEW VISION ENGINEERING CONSULTANT**
Head Office: Office No.B-6 Second Floor Masood Arcade
IJP Road Islamabad.
Ph: +92-51-4848375, Fax: +92-51-4848375
Email: newvisionec@yahoo.com
Regional Office: 287-A Street # 6, Cavalry Ground ,Lahore
Ph: +92-42-37250130



PROJECT: TCP OFFICE GAWADAR
TITLE: LEGENDS

CLIENT: TRADING CORPORATION OF PAKISTAN (PVT.) LIMITED

DESIGNED BY: ENGR. SHADAB	APPROVED BY:	DATE: JAN, 2024
DRAWN BY: ENGR. AHMAD	JOB NO.:	SCALE: N.T.S
DRG. NO. EL-02		



FURNITURE PLAN
 TCP OFFICE GAWADAR
 COVERED AREA = 2990sft

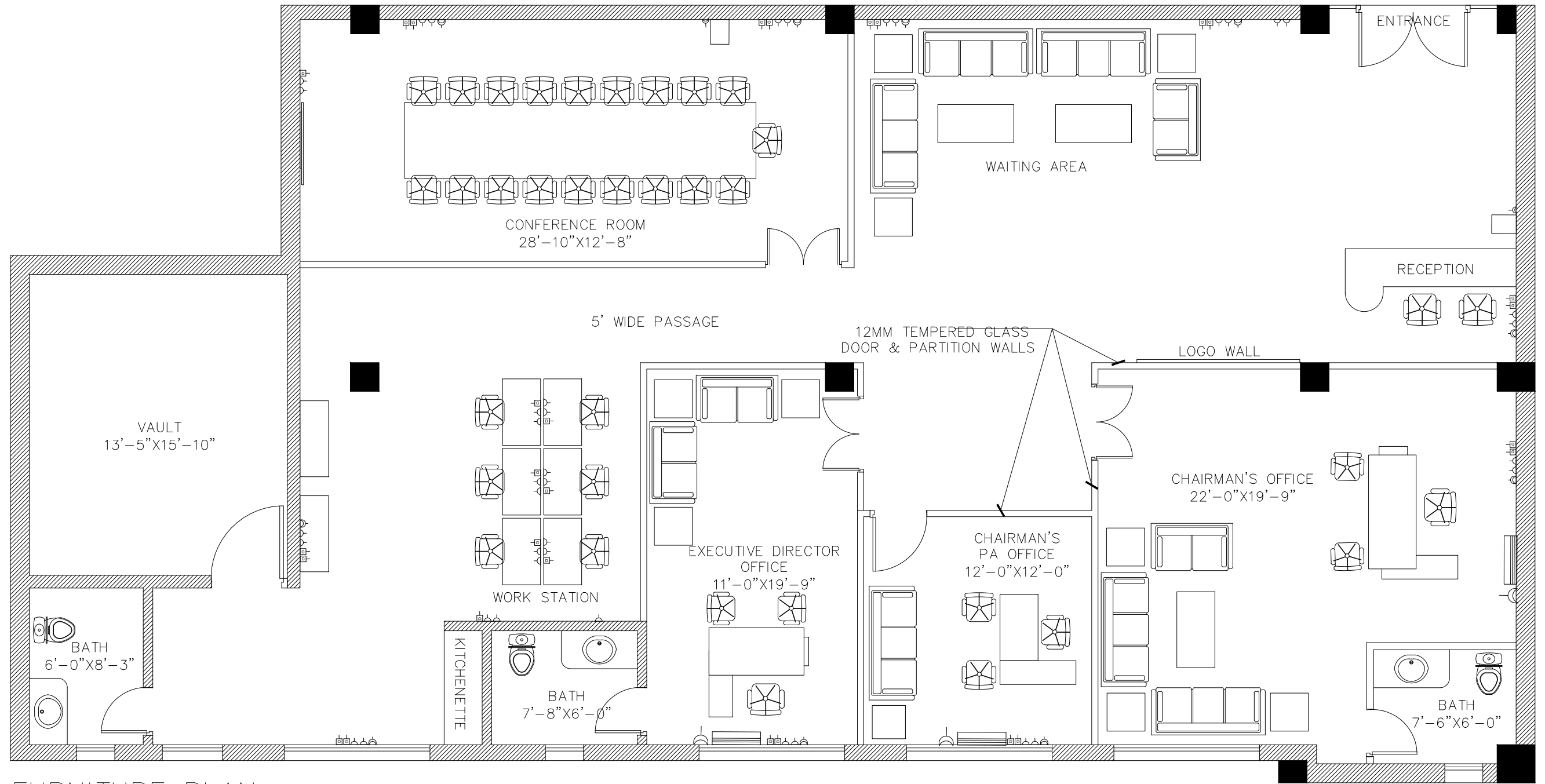
ADDITION & REVISION					
ADD. REV. NO.	DATE	DESCRIPTION	DES. BY	CHK. BY	APP. BY
01	7/10/2021	REVISED PLAN			



DESIGNER: NEW VISION ENGINEERING CONSULTANT
 Head Office: Office No.B-6 Second Floor Masood Arcade
 IJP Road Islamabad.
 Ph: +92-51-4848375, Fax: +92-51-4848375
 Email: newvisionec@yahoo.com
 Regional Office: 287-A Street # 6, Cavalry Ground ,Lahore
 Ph: +92-42-37250130

PROJECT:	TCP OFFICE GAWADAR
TITLE:	LIGHTING PLAN LAYOUT

CLIENT: TRADING CORPORATION OF PAKISTAN (PVT.) LIMITED		
DESIGNED BY: ENGR. SHADAB	APPROVED BY:	DATE: JAN, 2024
DRAWN BY: ENGR. AHMAD	JOB NO.	SCALE: N.T.S
DRG. NO.		EL-03



FURNITURE PLAN
 TCP OFFICE GAWADAR
 COVERED AREA = 2990sft

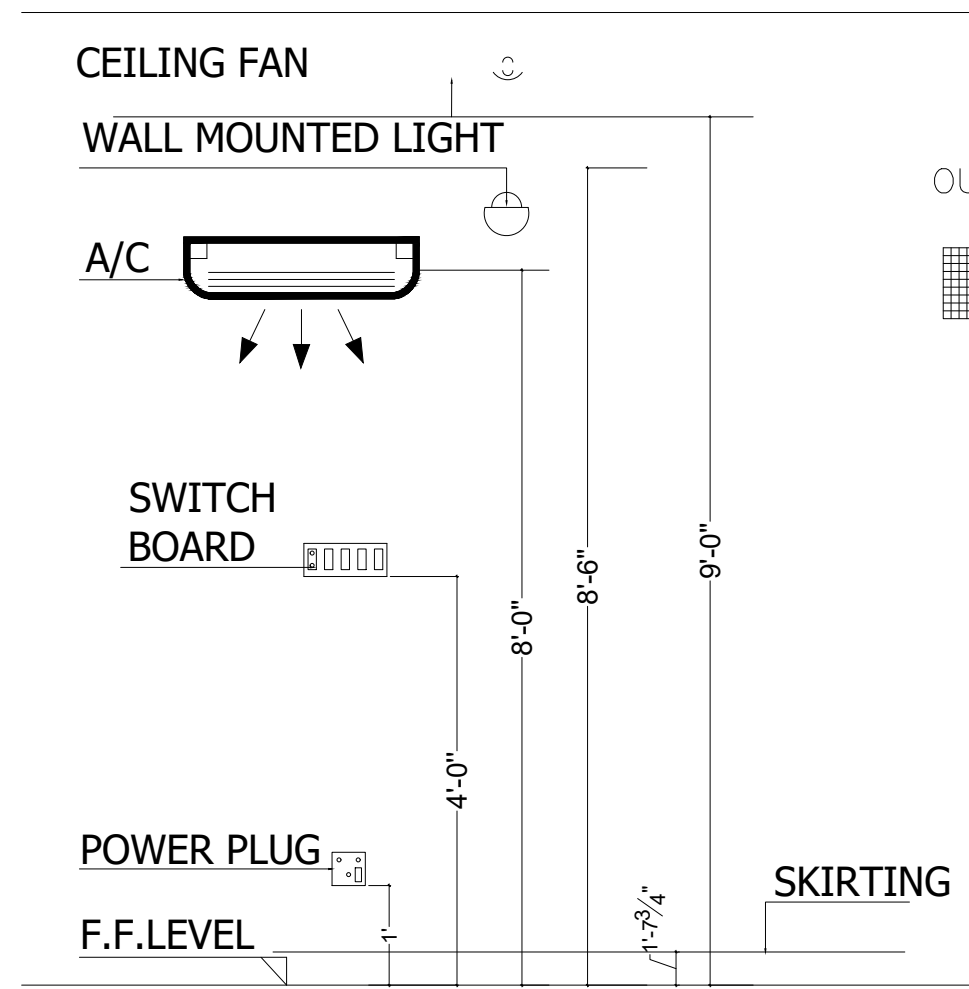
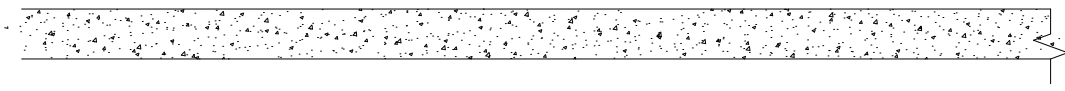
ADDITION & REVISION					
NO.	DATE	DESCRIPTION	DES. BY	CHK. BY	APP. BY
01	7/10/2021	REVISED PLAN			



DESIGNER: NEW VISION ENGINEERING CONSULTANT
 Head Office: Office No.B-6 Second Floor Masood Arcade
 IJP Road Islamabad.
 Ph: +92-51-4848375, Fax: +92-51-4848375
 Email: newvisionec@yahoo.com
 Regional Office: 287-A Street # 6, Cavalry Ground ,Lahore
 Ph: +92-42-37250130

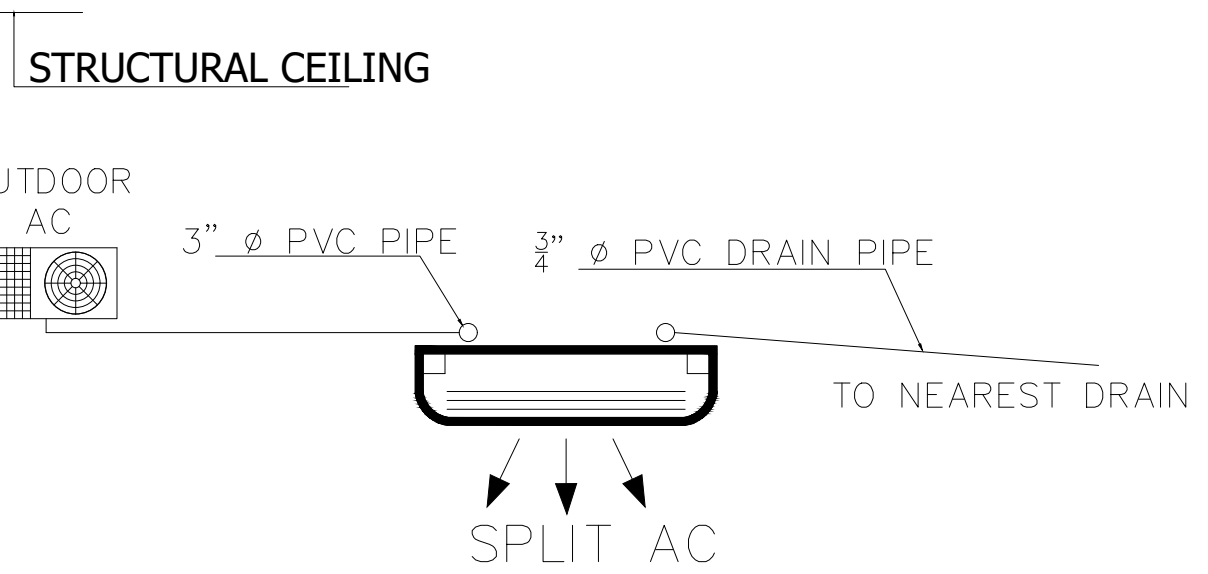
PROJECT:	TCP OFFICE GAWADAR	
TITLE:	POWER & AC PLAN LAYOUT	

CLIENT: TRADING CORPORATION OF PAKISTAN (PVT.) LIMITED		
DESIGNED BY: ENGR. SHADAB	APPROVED BY:	DATE: JAN, 2024
DRAWN BY: ENGR. AHMAD	JOB NO.	SCALE: N.T.S
DRG. NO.		EL-04



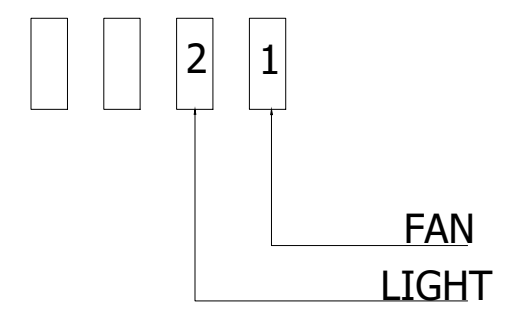
DETAIL-S1

MOUNTING HEIGHT OF FIXTURE DETAIL



DETAIL-Z1

TYPICAL AC INDOOR AND OUTDOOR UNIT DETAILS



NOTE:

LOCATION OF ACs INDOOR, OUTDOOR UNIT AND ACs POWER SOCKETS IN APARTMENTS AREA ARE TENTATIVE SUBJECT TO FINAL FINISHING DETAIL DECIDED BY CLIENT, ARCHITECT IN CHARGE AND CONCERNED SITE ENGINEER

ADDITION & REVISION					
NO.	DATE	DESCRIPTION	DES. BY	CHK. BY	APP. BY
01	7/10/2021	REVISED PLAN			

DESIGNER: **NEW VISION ENGINEERING CONSULTANT**
 Head Office: Office No.B-6 Second Floor Masood Arcade IJP Road Islamabad.
 Ph: +92-51-4848375, Fax: +92-51-4848375
 Email: newvisionec@yahoo.com
 Regional Office: 287-A Street # 6, Cavalry Ground ,Lahore
 Ph: +92-42-37250130



PROJECT: TCP OFFICE GAWADAR
 TITLE: TYPICAL DETAILS

CLIENT: TRADING CORPORATION OF PAKISTAN (PVT.) LIMITED

DESIGNED BY: ENGR. SHADAB	APPROVED BY:	DATE: JAN, 2024
DRAWN BY: ENGR. AHMAD	JOB NO.:	SCALE: N.T.S
DRG. NO.:		EL-05